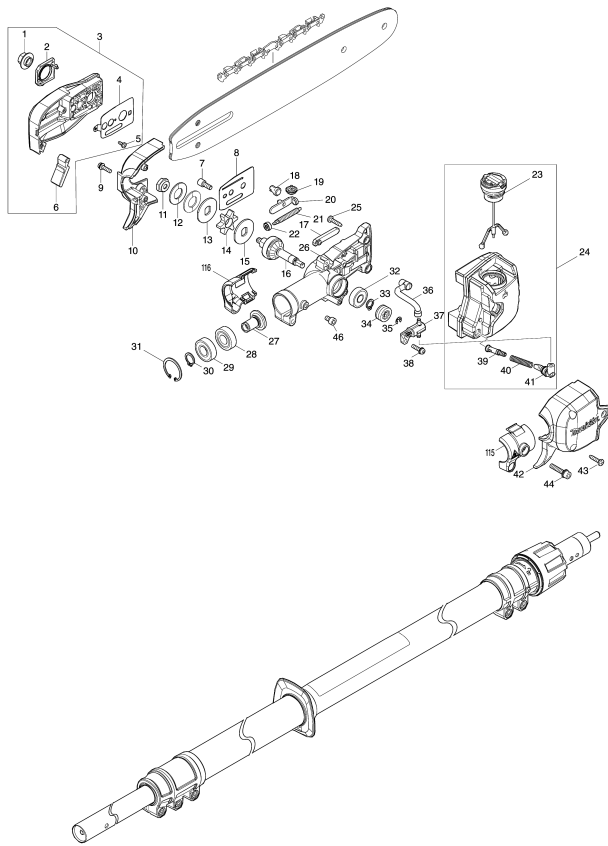
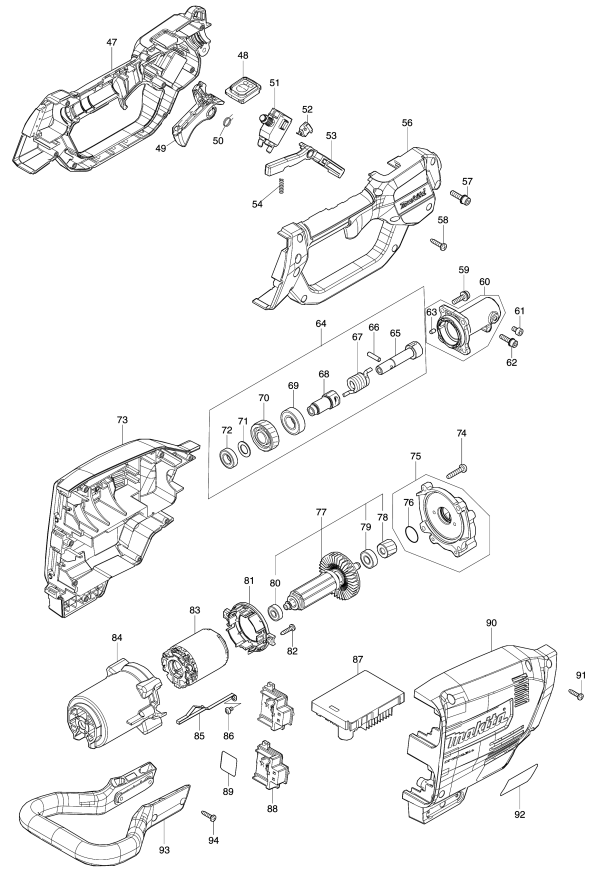


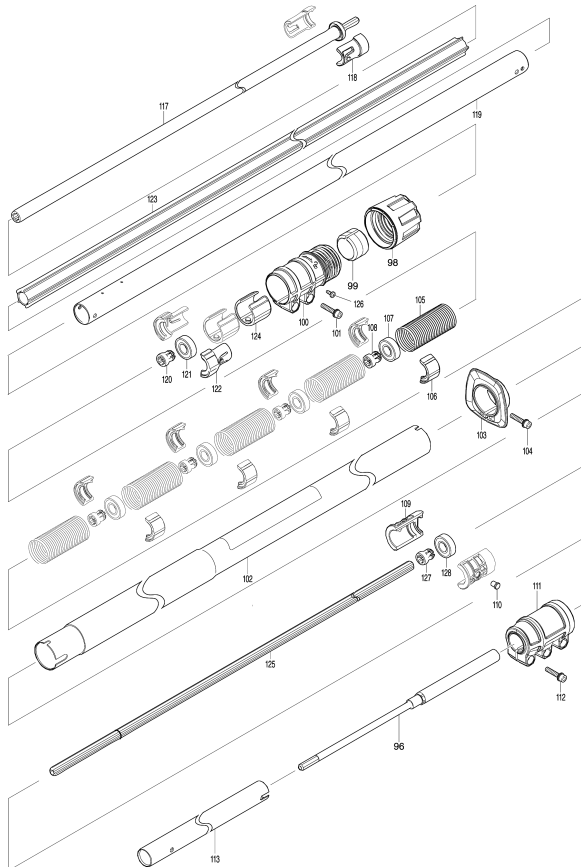
Model No.DUA301 300MM DC TELESCOPIC POLE SAW



Model No.DUA301 300MM DC TELESCOPIC POLE SAW



Model No.DUA301 300MM DC TELESCOPIC POLE SAW



Model No.DUA301 300MM DC TELESCOPIC POLE SAW

Item	Parts No.	Description	I/C	Qty	New/Old	Opt. 1	Opt. 2	Note
001	162494-8	FLANGE NUT COMPLETE		1				
002	412638-3	NUT COVER		1				
003	136373-6	SPROCKET COVER ASSY		1				
	D10	INC. 1,2,4-6						
004	347707-0	GUIDE PLATE L		1				
005	265954-0	TAPPING SCREW BIND PT3X8		1				
006	422599-9	CHIP GUIDE		1				
007	266905-6	H.L. SOCKET HEAD BOLT M5X12		1				
008	347708-8	GUIDE PLATE R		1				
009	911128-8	P.H.SCREW M4X16 WITH WR		2				
010	183P83-2	GEAR CASE HOUSING SET		1				
	D10	INC. 42						
011	252291-1	HEX. NUT M6		1				
012	232626-2	CORNED DISK SPRING 14		2				
013	347705-4	LOCK WASHER 12		1				
014	226992-7	SPROCKET 6		1				
015	347705-4	LOCK WASHER 12		1				
016	141D34-9	SPINDLE COMPLETE A		1				
017	422602-6	GROMET		1				
018	227620-7	DRIVE GEAR		1				
019	227634-6	STRAIGHT BEVEL GEAR 14		1				
020	347706-2	TENSION SLIDE		1				
021	327606-2	ADJUST SCREW		1				
022	227496-2	STRAIGHT BEVEL GEAR 14		1				
023	126832-8	TANK CAP ASSEMBLY		1				
	C10	O-RING 25		1				
024	136372-8	OIL TANK ASSEMBLY		1				
	D10	INC. 23,39-41						
025	266326-2	TAPPING SCREW 4X18		3				
026	136301-1	GEAR CASE ASSEMBLY		1				
	C10	O RING 28		1				
027	141D35-7	SPIRAL BEVEL GEAR 18 COMPLETE		1				
028	211131-2	BALL BEARING 6001DDW		1				
029	211148-5	BALL BEARING 6001ZZ		1				
030	961052-5	RETAINING RING S-12		1				
031	962106-1	RETAINING RING R-28		1				
032	211491-2	BALL BEARING 609DDW		1				
033	961005-4	RETAINING RING S-9		1				
034	226884-0	WORM GEAR		1				
035	961011-9	STOP RING E-4		1				
036	422600-0	OIL TUBE 3-70		1				

Model No.DUA301 300MM DC TELESCOPIIC POLE SAW

Item	Parts No.	Description	I/C	Qty	New/Old	Opt. 1	Opt. 2	Note
037	140U04-7	OIL PUMP COMPLETE		1				
038	911128-8	P.H.SCREW M4X16 WITH WR		1				
039	452666-6	NIPPLE		1				
040	231975-4	SPRING		1				
041	422601-8	OIL TUBE 3-14		1				
042	183P83-2	GEAR CASE HOUSING SET		1				
D10		INC. 10						
043	266326-2	TAPPING SCREW 4X18		3				
044	922243-3	HEX. SOCKET HEAD BOLT M5X25		1				
046	922202-7	HEX. SOCKET HEAD BOLT M5X8		1				
047	183P85-8	GRIP SET		1				
C10	931202-6	HEX. NUT M5		1				
D10		INC. 56						
048	140V21-3	SWITCH CIRCUIT COMPLETE		1				
C10	819S81-5	SWITCH LABEL		1				
049	459758-2	SWITCH LEVER		1				
050	233622-3	TORSION SPRING 12		1				
051	651438-8	SWITCH C3JW-6B-PAN		1				
052	632G61-0	SWITCH UNIT		1				
053	459759-0	LOCK OFF LEVER		1				
054	233101-1	COMPRESSION SPRING 4		1				
056	183P85-8	GRIP SET		1				
C10	931202-6	HEX. NUT M5		1				
D10		INC. 47						
057	922233-6	H.S.H.BOLT M5X20 WITH WR		1				
058	266326-2	TAPPING SCREW 4X18		8				
059	911233-1	PAN HEAD SCREW M5X20		4				
060	136371-0	PIPE BRACKET ASSY		1				
D10		INC. 63						
061	922202-7	HEX. SOCKET HEAD BOLT M5X8		1				
062	922233-6	H.S.H.BOLT M5X20 WITH WR		1				
063	263002-9	RUBBER PIN 4		1				
064	127641-8	DAMPER SHAFT ASSEMBLY		1				
D10		INC. 65-72						
065	327600-4	JOINT SLEEVE		1				
066	256964-8	PIN 5		1				
067	232625-4	TORSION SPRING 12		1				
068	327601-2	SPINDLE HUB		1				
069	211232-6	BALL BEARING 6002LLU		1				
070	226997-7	HELICAL GEAR 33		1				
071	253744-3	FLAT WASHER 12		1				

Please order the parts with part number.

Print Date 17/11/2020

Model No.DUA301 300MM DC TELESCOPIIC POLE SAW

Item	Parts No.	Description	I/C	Qty	New/Old	Opt. 1	Opt. 2	Note
072	211150-8	BALL BEARING 6901ZZ		1				
073	183P84-0	HOUSING SET		1				
C10	263005-3	RUBBER PIN 6		10				
D10		INC. 90						
074	266459-3	TAPPING SCREW 5X25		4				
075	136230-8	GEAR BOX ASS'Y		1				
D10		INC. 76						
076	213961-7	O RING 22		1				
077	510470-0	ROTOR ASS'Y		1				
D10		INC. 78-80						
078	226996-9	HELICAL GEAR 16		1				
079	210005-4	BALL BEARING 608DDW		1				
080	210062-2	BALL BEARING 607ZZ		1				
081	459764-7	BAFFLE PLATE		1				
082	266326-2	TAPPING SCREW 4X18		2				
083	629A12-6	STATOR		1				
084	459763-9	MOTOR HOUSING		1				
085	347620-2	PLATE		1				
086	911102-6	PAN HEAD SCREW M4X6		1				
087	620C83-8	CONTROLLER		1				
088	644809-6	TERMINAL		2				
089	857J46-5	DUA301 SERIAL NO. LABEL		1				
090	183P84-0	HOUSING SET		1				
C10	263005-3	RUBBER PIN 6		10				
D10		INC. 73						
091	266326-2	TAPPING SCREW 4X18		8				
092	857J43-1	DUA301 NAME PLATE		1				
093	412645-6	GUARD		1				
094	266326-2	TAPPING SCREW 4X18		4				
096	140V20-5	SHAFT C COMPLETE		1				
C10	162823-5	SPINDLE D COMPLETE		1				
098	412631-7	LOCK RING		1				
099	412632-5	LOCK SLEEVE		1				
100	412630-9	LOCK SCREW		1				
C10	931202-6	HEX. NUT M5		2				
101	922243-3	HEX. SOCKET HEAD BOLT M5X25		2				
102	140V15-8	PIPE 38 COMPLETE B		1				
C10	8016N5-5	CAUTION LABEL		1				
103	412634-1	GRIP END 38		1				
104	922243-3	HEX. SOCKET HEAD BOLT M5X25		1				
105	232624-6	COMPRESSION SPRING 28		5				

Please order the parts with part number.

Print Date 17/11/2020

Model No.DUA301 300MM DC TELESCOPIIC POLE SAW

Item	Parts No.	Description	I/C	Qty	New/Old	Opt. 1	Opt. 2	Note
106	413312-6	DRIVE BUSH		8				
107	211148-5	BALL BEARING 6001ZZ		4				
108	412625-2	SLIDE BUSH		4				
109	313340-0	PIPE SLEEVE 24		2				
110	327599-3	SHOULDER PIN 6		1				
111	412629-4	PIPE JOINT		1				
112	922243-3	HEX. SOCKET HEAD BOLT M5X25		3				
113	140V18-2	PIPE 24 COMPLETE		1				
115	183R91-5	GEAR CASE COVER SET		1				
D10		INC. 116						
116	183R91-5	GEAR CASE COVER SET		1				
D10		INC. 115						
117	136393-0	SHAFT ASS'Y		1				
D10		INC. 125						
118	412627-8	BEARING HOUSING B		2				
119	327609-6	PIPE 28		1				
120	412625-2	SLIDE BUSH		1				
121	211148-5	BALL BEARING 6001ZZ		1				
122	412624-4	BEARING HOUSING A		2				
123	412623-6	LINER 15		1				
124	412626-0	PIPE SLEEVE 28		2				
125	136393-0	SHAFT ASS'Y		1				
D10		INC. 117						
126	265954-0	TAPPING SCREW BIND PT3X8		1				
127	412625-2	SLIDE BUSH		1				
128	211148-5	BALL BEARING 6001ZZ		1				
A01	165245-8	GUIDE BAR 12		1				
A02	419288-5	CHAIN COVER		1				
A03	196740-7	SAW CHAIN SET		1				
A04	782023-7	WRENCH 13-16		1				
A05	195923-6	ROUND FILE 4.5 SET		1				
A06	199897-3	OIL VESSEL SET		1				
A07	783202-0	HEX. WRENCH 4		1				
A08	422596-5	CAP 28		2				
A09	424434-7	CAP 24		1				
A10	191K37-5	BAND ASSEMBLY SET		1				

Please order the parts with part number.

Print Date 17/11/2020