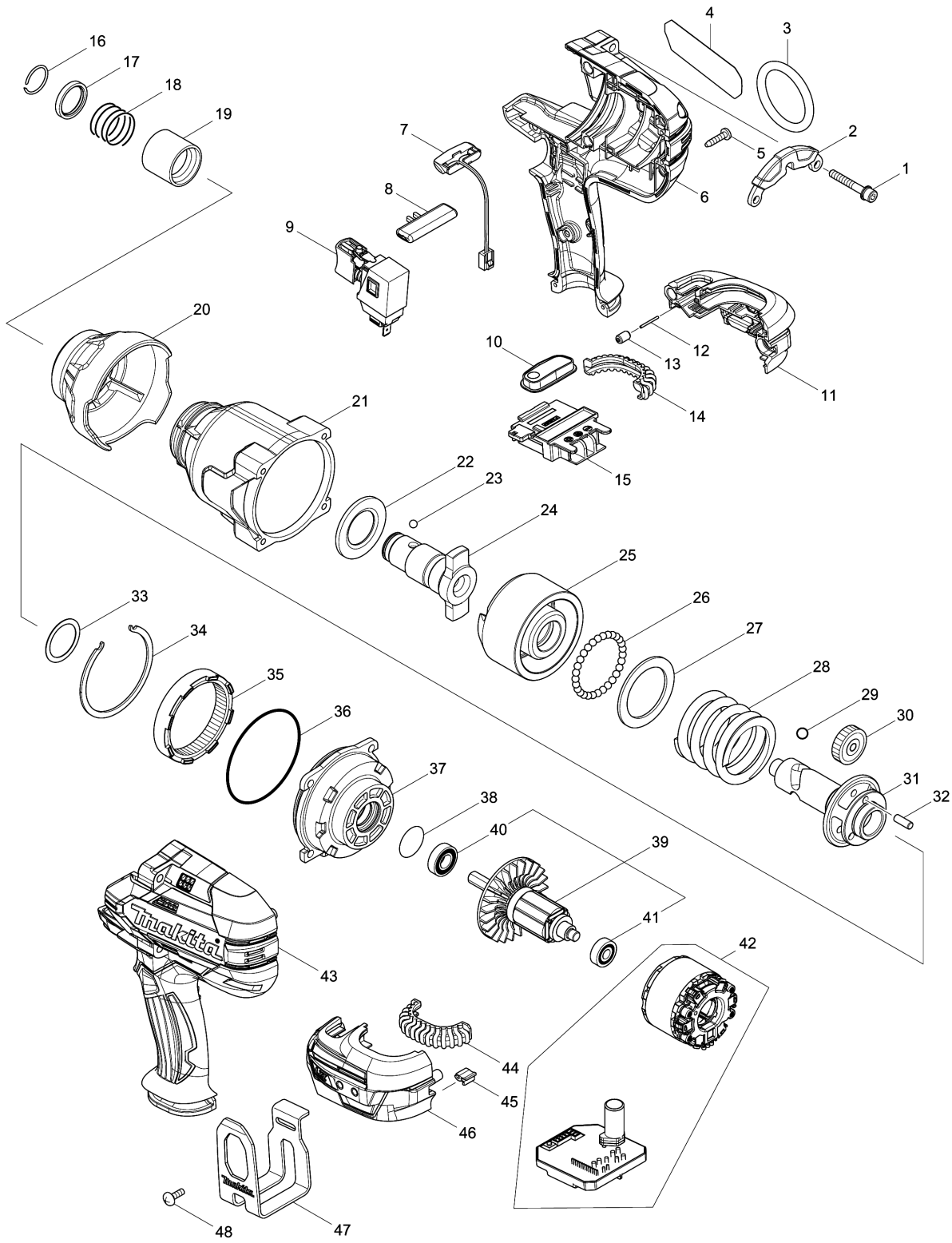


Model No.DTW800 CORDLESS IMPACT WRENCH



Model No.DTW800 CORDLESS IMPACT WRENCH

Item	Parts No.	Description	I/C	Qty	New/Old	Opt. 1	Opt. 2	Note
001	251476-6	H.S.H.BOLT M5X35 WITH WR		4				
002	162341-3	BRACKET		1				
003	282022-4	RING 40		1				
004	851K83-7	DTW800 NAME PLATE		1	*			
004-1	857K39-8	DTW800 NAME PLATE	S	1				
005	266326-2	TAPPING SCREW 4X18		9				
006	183C08-8	HOUSING SET		1	*			
D10		INC. 43			*			
006-1	183H36-3	HOUSING SET	O	1				
D10		INC. 43						
007	620351-1	LED CIRCUIT		1				
008	456268-0	F/R CHANGE LEVER		1				
009	143416-7	SWITCH COMPLETE		1				
010	143417-5	SWITCH PLATE COMPLETE		1				
011	183C12-7	BATTERY HOUSING SET		1				
C10	263005-3	RUBBER PIN 6		2				
D10		INC. 46						
012	268284-8	PIN 1.5		1				
013	263036-2	RUBBER PIN 5		1				
014	424773-5	CUSHION RUBBER		1				
015	643899-6	TERMINAL		1				
016	234384-6	RING SPRING 19		1				
017	326619-0	RING 21		1				
018	231434-8	COMPRESSION SPRING 22		1				
019	326618-2	SLEEVE		1				
020	424775-1	BUMPER		1	*			
020-1	424978-7	BUMPER	<	1				
021	143411-7	HAMMER CASE COMPLETE		1	*			
021-1	144473-8	HAMMER CASE COMPLETE	S	1				
022	346948-5	WASHER 25		1				
023	216007-8	STEEL BALL 6.4		2				
024	326617-4	ANVIL H		1				
025	326613-2	HAMMER		1				
026	216002-8	STEEL BALL 4.8		29				
027	267493-6	FLAT WASHER 38		1				
028	234383-8	COMPRESSION SPRING 38		1				
029	216009-4	STEEL BALL 7.1		2				
030	227391-6	SPUR GEAR 24		3	*			
030-1	226879-3	SPUR GEAR 24	<	3	*			
030-2	226880-8	SPUR GEAR 24	O	3				
031	326611-6	SPINDLE		1				
032	268079-9	PIN 5		3				

Please order the parts with part number.

Print Date 1/9/2020

Model No.DTW800 CORDLESS IMPACT WRENCH

Item	Parts No.	Description	I/C	Qty	New/Old	Opt. 1	Opt. 2	Note
033	267494-4	FLAT WASHER 25		1	*			
033-1	267127-1	FLAT WASHER 26	O	1				
034	346947-7	RETAINER		1				
035	227392-4	INTERNAL SPUR GEAR 54		1				
036	213720-9	O RING 67		1				
037	135718-5	INTERNAL GEAR CASE ASS'Y		1				
D10		INC. 36,38						
038	213961-7	O RING 22		1				
039	519384-0	ROTOR ASS'Y		1	*			
D10		INC. 40,41			*			
039-1	519593-1	ROTOR ASS'Y	O	1				
D10		INC. 40,41						
040	210069-8	BALL BEARING 6900DDW		1				
041	211022-7	BALL BEARING 607ZZ		1				
042	629170-2	STATOR COMPLETE		1	*			
042-1	629330-6	STATOR COMPLETE	<	1				
043	183C08-8	HOUSING SET		1	*			
D10		INC. 6			*			
043-1	183H36-3	HOUSING SET	O	1				
D10		INC. 6						
044	424773-5	CUSHION RUBBER		1				
045	424517-3	CUSHION		1				
046	183C12-7	BATTERY HOUSING SET		1				
C10	263005-3	RUBBER PIN 6		2				
D10		INC. 11						
047	346949-3	HOOK		1				
048	251314-2	+ SCREW M4X12		2				
049	857K40-3	DTW800 SERIAL NO. LABEL	S	1				
A01B	***DC18RC	DC18RC FAST CHARGER		1				
A01C	***DC18RC	DC18RC FAST CHARGER		1				
A01D	***DC18RC	DC18RC FAST CHARGER		1				
A02B	194204-5	BATTERY BL1830 SET		2	*			
A02C	197265-4	BATTERY BL1840B SET		2	*			
A02D	197280-8	BATTERY BL1850B SET		2				
A02-1B	197600-6	BATTERY BL1830B SET	<	2	*			
A02-1C	197265-4	BATTERY BL1840B SET	O	2				
A02-2B	197600-6	BATTERY BL1830B SET	O	2				
A03B	450128-8	BATTERY COVER		1				
A03C	450128-8	BATTERY COVER		1				
A03D	450128-8	BATTERY COVER		1				
A04B	821551-8	CONNECTOR PLASTIC CASE (TYPE3)		1				
C10	453974-8	LATCH		4				

Please order the parts with part number.

Print Date 1/9/2020

Model No.DTW800 CORDLESS IMPACT WRENCH

Item	Parts No.	Description	I/C	Qty	New/Old	Opt. 1	Opt. 2	Note
A04C	821551-8	CONNECTOR PLASTIC CASE (TYPE3)		1				
C10	453974-8	LATCH		4				
A04D	821551-8	CONNECTOR PLASTIC CASE (TYPE3)		1				
C10	453974-8	LATCH		4				
A05B	837645-9	INNER TRAY		1				
A05C	837645-9	INNER TRAY		1				
A05D	837645-9	INNER TRAY		1				
A06B	808C07-6	DTW800RFJ INDICATION LABEL		1				
A06C	808C09-2	DTW800RMJ INDICATION LABEL		1				
A06D	808C11-5	DTW800RTJ INDICATION LABEL		1				
A07B	808C08-4	DTW800RFJ PLASTIC CASE LABEL		2				
A07C	808C10-7	DTW800RMJ PLASTIC CASE LABEL		2				
A07D	808C12-3	DTW800RTJ PLASTIC CASE LABEL		2				

Please order the parts with part number.

Print Date 1/9/2020