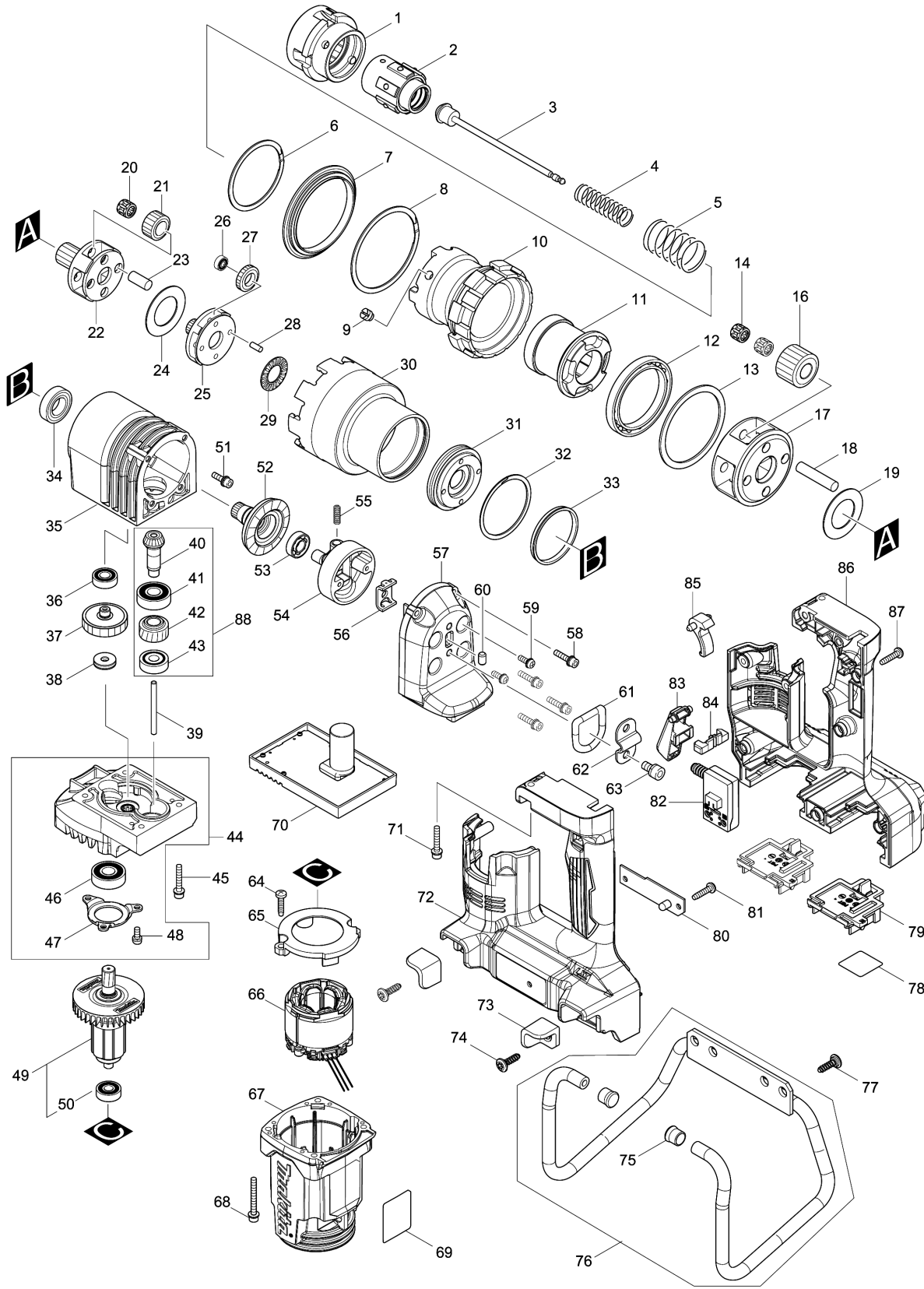


Model No.DWT310 CORDLESS SHEAR WRENCH



Model No.DWT310 CORDLESS SHEAR WRENCH

Item	Parts No.	Description	I/C	Qty	New/Old	Opt. 1	Opt. 2	Note
001	153909-6	OUTER SLEEVE 22-39 COMPLETE		1				
002	764423-3	INNER SLEEVE 22-39 COMPLETE		1				
003	165074-9	CHIP ROD		1				
004	233087-9	COMPRESSION SPRING 13		1				
005	234143-8	COMPRESSION SPRING 25		1				
006	257941-3	SPIRO LOCK WASHER 62		1				
007	324447-7	SPACER		1				
008	257940-5	SPIRO LOCK WASHER 70		1				
009	266022-2	- SET SCREW(DOG POINT) M8X8		2				
010	325688-8	OUTER SUPPORT		1				
011	153872-3	INNER SUPPORT COMPLETE		1				
012	211611-8	BALL BEARING 6810		1				
013	267282-9	FLAT WASHER 60		1				
014	212954-1	NEEDLE CAGE 810		8				
016	227117-6	SPUR GEAR 20		4				
017	310147-5	CARRIER		1				
018	256228-0	PIN 8		4				
019	216207-0	WASHER 2542		1				
020	212954-1	NEEDLE CAGE 810		4				
021	226270-5	SPUR GEAR 25		4				
022	226275-5	SPUR GEAR 11		1				
023	256227-2	PIN 8		4				
024	216207-0	WASHER 2542		1				
025	226273-9	SPUR GEAR 14		1				
026	211044-7	BALL BEARING 694		4				
027	226269-0	SPUR GEAR 25		4				
028	256226-4	PIN 4		4				
029	216403-0	THRUST NEEDLE GAUGE 1528		1				
030	227118-4	INTERNAL GEAR 53-66		1				
031	323855-9	BRACKET		1				
032	257929-3	SPIRO LOCK WASHER 52		1				
033	257186-3	RING 44		1				
034	211221-1	BALL BEARING 6902		1				
035	159930-3	GEAR CASE COMPLETE		1				
C10	263002-9	RUBBER PIN 4		2				
036	210013-5	BALL BEARING 698VV		1				
037	226651-3	HELICAL GEAR 30		1				
038	212048-2	THRUST NEEDLE BEARING 617		1				
039	256225-6	PIN 4		1				
040	226711-1	SPIRAL BEVEL GEAR 12		1				
041	211097-6	BALL BEARING 600LLB		1				

Please order the parts with part number.

Print Date 2/9/2020

Model No.DWT310 CORDLESS SHEAR WRENCH

Item	Parts No.	Description	I/C	Qty	New/Old	Opt. 1	Opt. 2	Note
042	226476-5	HELICAL GEAR 18		1				
043	211031-6	BALL BEARING 608LLB		1				
044	134788-1	GEAR HOUSING ASS'Y		1				
D10		INC. 46-48						
045	922148-7	HEX. SOCKET HEAD BOLT M4X25		4				
046	211097-6	BALL BEARING 6000LLB		1				
047	344470-6	BEARING RETAINER		1				
048	911111-5	PAN HEAD SCREW M4X10 WITH W		3				
049	519497-7	ROTOR ASSY		1				
D10		INC. 50						
050	211023-5	BALL BEARING 607LB		1				
051	922123-3	HEX. SOCKET HEAD BOLT M4X14		4				
052	226812-5	GEAR 14-41		1				
053	211082-9	BALL BEARING 699		1				
054	311930-3	ROD SUPPORTER		1				
055	233098-4	COMPRESSION SPRING 4		1				
056	344062-1	STOPPER PLATE		1				
057	319669-2	REAR COVER		1	*			
057-1	319834-3	REAR COVER	O	1	*			
057-2	312B27-3	REAR COVER	<	1				
058	922133-0	H.S.H.BOLT M4X18 WITH WR		4				
059	911118-1	PAN HEAD SCREW M4X12		2				
060	263005-3	RUBBER PIN 6		1				
061	282018-5	D-RING		1				
062	345517-9	PLATE		1				
063	266157-9	HEX. SOCKET HEAD BOLT M6X12		2				
064	265995-6	TAPPING SCREW 4X18		2				
065	458306-4	BAFFLE PLATE		1				
066	629337-2	STATOR		1				
067	458302-2	MOTOR HOUSING		1				
068	922909-5	HEX. SOCKET HEAD BOLT M4X35		4				
069	854C60-0	DWT310 NAME PLATE		1				
070	632L40-8	CONTROLLER UNIT		1	*			
070-1	632N37-9	CONTROLLER UNIT	<	1				
071	922149-5	H.S.H.BOLT M4X25 WITH WG		2				
072	183J09-8	HANDLE SET		1	*			
C10	263005-3	RUBBER PIN 6		4	*			
C20	816P35-5	INDICATION LABEL		1	*			
C30	422226-8	SPONGE SHEET		1	*			
C40	416285-2	ACRYLIC PIN 5		1	*			

Model No.DWT310 CORDLESS SHEAR WRENCH

Item	Parts No.	Description	I/C	Qty	New/Old	Opt. 1	Opt. 2	Note
D10		INC. 86			*			
072-1	183K85-8	HANDLE SET	<	1				
C10	263005-3	RUBBER PIN 6		4				
C20	816P35-5	INDICATION LABEL		1				
C30	422226-8	SPONGE SHEET		1				
C40	416285-2	ACRYLIC PIN 5		1				
D10		INC. 86						
073	327048-0	PROTECTION BLOCK		2	*			
073-1	347482-8	PROTECTION BLOCK	O	2				
074	251587-7	H.L.TAPPING SCREW 5X18		2				
075	422230-7	CAP		2				
076	135919-5	GUARD PIPE ASS'Y		1	*			
D10		INC. 75			*			
076-1	135992-5	GUARD ASSY	<	1				
D10		INC. 75						
077	251587-7	H.L.TAPPING SCREW 5X18		4				
078	854C68-4	DWT310 SERIAL NO. LABEL		1				
079	644809-6	TERMINAL		2				
080	620809-0	LED CIRCUIT		1				
081	265995-6	TAPPING SCREW 4X18		2				
082	651083-9	SWITCH C3XA-1PSPM		1				
083	458303-0	SWITCH LEVER		1				
084	458307-2	TRIGGER LOCK		1	*			
084-1	459707-9	TRIGGER LOCK	O	1				
085	311928-0	CHIP LEVER		1				
086	183J09-8	HANDLE SET		1	*			
C10	263005-3	RUBBER PIN 6		4	*			
C20	816P35-5	INDICATION LABEL		1	*			
C30	422226-8	SPONGE SHEET		1	*			
C40	416285-2	ACRYLIC PIN 5		1	*			
D10		INC. 72			*			
086-1	183K85-8	HANDLE SET	<	1				
C10	263005-3	RUBBER PIN 6		4				
C20	816P35-5	INDICATION LABEL		1				
C30	422226-8	SPONGE SHEET		1				
C40	416285-2	ACRYLIC PIN 5		1				
D10		INC. 72						
087	265995-6	TAPPING SCREW 4X18		7				
088	134790-4	GEAR ASS'Y		1				
D10		INC. 40-43						
A01	764361-9	OUTER SLEEVE 20-37		1				
A02	764422-5	INNER SLEEVE 20-38 COMPLETE		1				

Please order the parts with part number.

Print Date 2/9/2020

Model No.DWT310 CORDLESS SHEAR WRENCH

Item	Parts No.	Description	I/C	Qty	New/Old	Opt. 1	Opt. 2	Note
A03	783001-0	(-) SCREWDRIVER 6		1				
A04	821748-9	PLASTIC CASE		1				
C10	162271-8	LATCH		2				
A08	161347-8	SHOULDER BELT		1				

Please order the parts with part number.

Print Date 2/9/2020