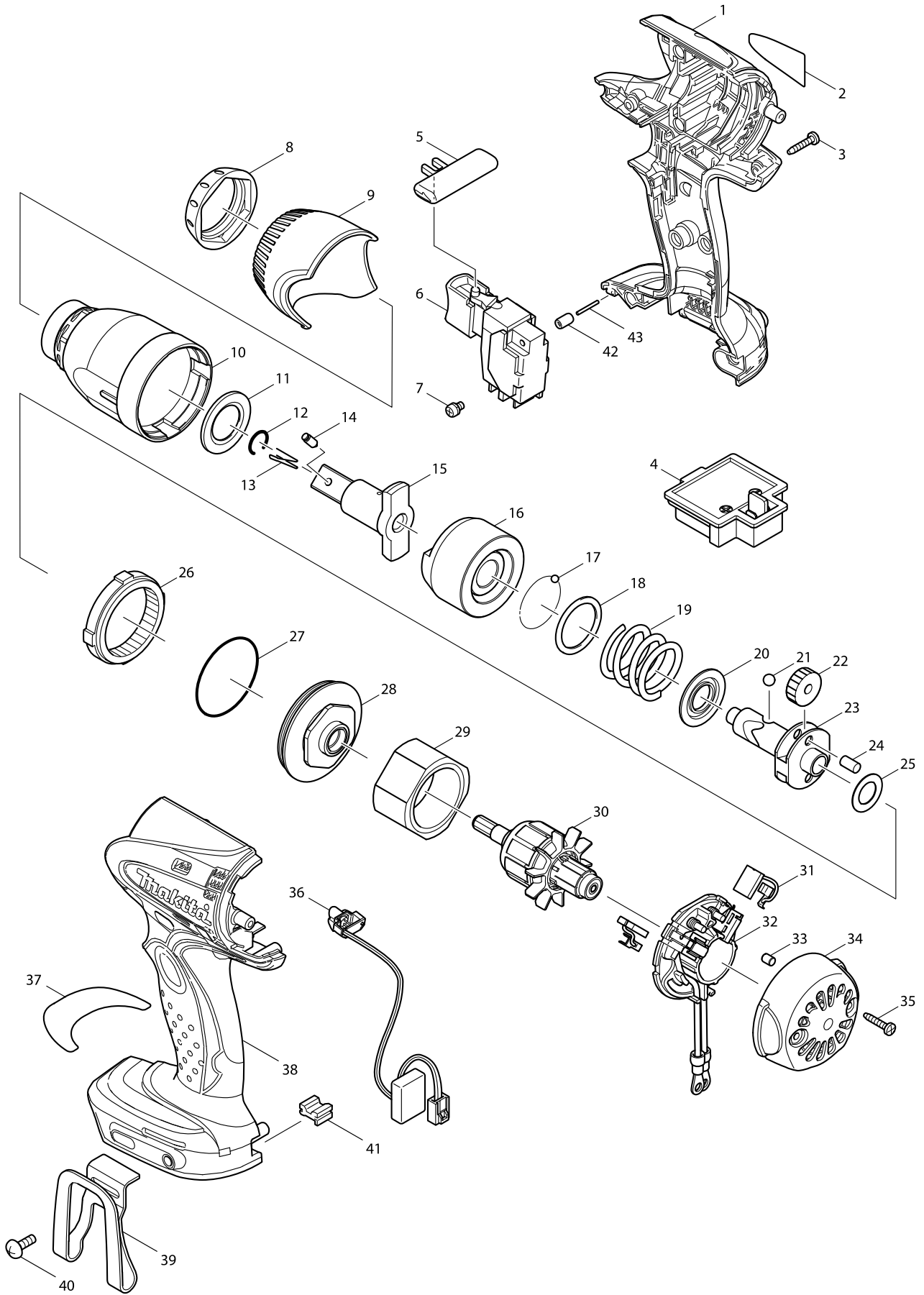


Model No. DTW250 CORDLESS IMPACT WRENCH



Model No. DTW250 CORDLESS IMPACT WRENCH

Item	Parts No.	Description	I/C	Qty	N/O	Opt. 1	Opt. 2	Note
001	187466-2	HOUSING SET		1				
C10	263005-3	RUBBER PIN 6		2				
D10		INC. 38						
002	815F41-7	DTW250 NAME PLATE		1				
003	266130-9	TAPPING SCREW BIND PT 3X16		8				
004	643866-1	TERMINAL		1				
005	419041-9	F/R CHANGE LEVER		1				
006	650652-3	SWITCH TG553FSB-1B		1				
007	652045-0	+PAN HEAD SCREW M3.5X5		2				
008	424375-7	BUMPER		1				
009	452439-7	HAMMER CASE COVER		1				
010	140171-2	HAMMER CASE COMPLETE		1				
011	261116-8	NYLON WASHER 18		1				
012	231907-1	RING SPRING 10		1				
015	324706-9	ANVIL		1				
016	324703-5	HAMMER		1				
017	216001-0	STEEL BALL 3.5		24				
018	267175-0	FLAT WASHER 24		1				
019	234337-5	COMPRESSION SPRING 25		1				
020	267766-7	CUP WASHER 14		1				
021	216011-7	STEEL BALL 5.6		2				
022	227233-4	SPUR GEAR 22		2				
023	324220-5	SPINDLE		1				
024	256253-1	PIN 5		2				
025	267212-0	FLAT WASHER 12		1				
026	227150-8	INTERNAL GEAR 51		1				
027	213507-9	O RING 40		1				
028	158145-9	BEARING BOX COMPLETE		1	*			
028-1	143035-9	BEARING BOX COMPLETE	O	1				
029	638495-3	YORK UNIT		1				
030	619251-0	ARMATURE		1				
031	194427-5	CARBON BRUSH CB-440		1				
032	638853-3	BRUSH HOLDER COMPLETE		1				
033	263032-0	RUBBER PIN 4		2				
034	418981-8	REAR COVER		1				
035	266130-9	TAPPING SCREW BIND PT 3X16		2				
036	631631-0	LIGHT CIRCUIT		1				
038	187466-2	HOUSING SET		1				
C10	263005-3	RUBBER PIN 6		2				
D10		INC. 1						
039	346317-0	HOOK		1				
040	251314-2	+ SCREW M4X12		1				
041	424026-2	CUSHION		1	*			
041-1	424476-1	CUSHION	O	1				
042	263036-2	RUBBER PIN 5		1				
043	268184-2	PIN 1.5		1				
A01F	***DC18RC	DC18RC FAST CHARGER		1				
A01G	***DC18RC	DC18RC FAST CHARGER		1				

Model No. DTW250 CORDLESS IMPACT WRENCH

Item	Parts No.	Description	I/C	Qty	N/O	Opt. 1	Opt. 2	Note
A01I	***DC18RC	DC18RC FAST CHARGER		1				
A02F	194065-3	BATTERY BL1430 SET		2	*			
A02G	194065-3	BATTERY BL1430 SET		2	*			
A02I	196388-5	BATTERY BL1440 SET		2	*			
A02-1F	194065-3	BATTERY BL1430 SET	O	2				
A02-1G	194065-3	BATTERY BL1430 SET	O	2				
A02-1I	196388-5	BATTERY BL1440 SET	O	2				
A03F	141205-4	PLASTIC CARRYING CASE		1				
C10	324207-7	SHAFT		1				
C20	413098-2	PLATE		4				
C30	417724-5	LATCH		2				
C40	419215-2	PLASTIC CASE LID		1				
C50	419216-0	HANDLE		1				
A03G	821550-0	CONNECTOR PLASTIC CASE (TYPE2)		1				
C10	453974-8	LATCH		4				
A03H	821550-0	CONNECTOR PLASTIC CASE (TYPE2)		1				
C10	453974-8	LATCH		4				
A03I	821550-0	CONNECTOR PLASTIC CASE (TYPE2)		1				
C10	453974-8	LATCH		4				
A04F	802U59-7	DTW250RFE PLASTIC CASE LABEL		1	*			
A04G	837670-0	INNER TRAY		1				
A04H	837670-0	INNER TRAY		1				
A04I	837670-0	INNER TRAY		1				
A04-1F	802U63-6	DTW250RFE MODEL NO. LABEL	<	1				
A05F	450128-8	BATTERY COVER		1				
A05G	450128-8	BATTERY COVER		1				
A05I	450128-8	BATTERY COVER		1				
A06G	802U57-1	DTW250RFJ PLASTIC CASE LABEL		2	*			
A06H	802U58-9	DTW250ZJ PLASTIC CASE LABEL		2	*			
A06I	802U66-0	DTW250RMJ PLASTIC CASE LABEL		2	*			
A06-1G	805V35-6	DTW250RFJ PLASTIC CASE LABEL	<	2				
A06-1H	805V36-4	DTW250ZJ PLASTIC CASE LABEL	<	2				
A06-1I	805V37-2	DTW250RMJ PLASTIC CASE LABEL	<	2				
A07G	802U61-0	DTW250RFJ INDICATION LABEL		1				
A07H	802U62-8	DTW250ZJ INDICATION LABEL		1				
A07I	802U65-2	DTW250RMJ INDICATION LABEL		1				