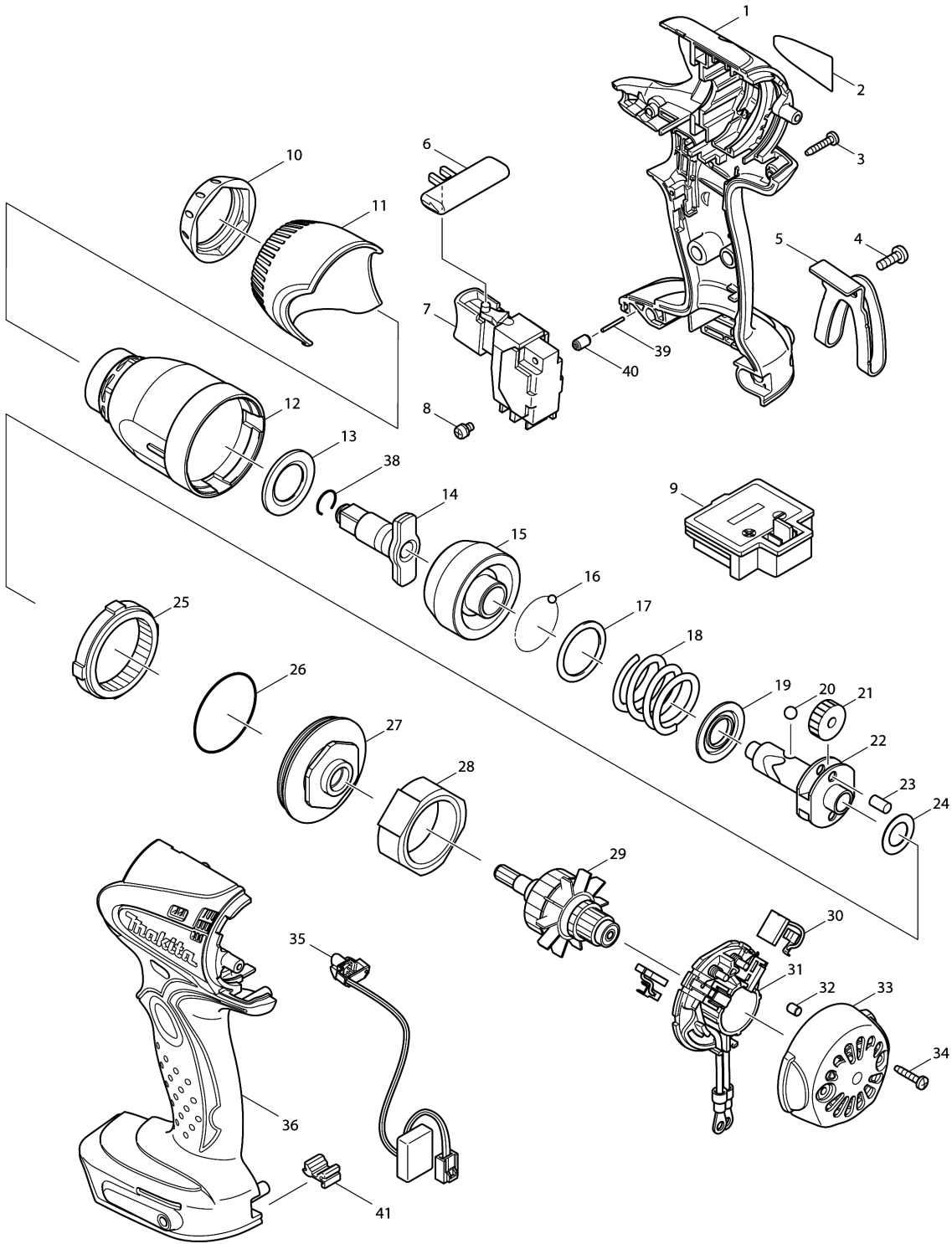


Model No.DTW152 CORDLESS IMPACT WRENCH



Model No.DTW152 CORDLESS IMPACT WRENCH

Item	Parts No.	Description	I/C	Qty	New/Old	Opt. 1	Opt. 2	Note
001	187472-7	HOUSING SET		1				
C10	263005-3	RUBBER PIN 6		2				
D10		INC. 36						
002	815U25-5	DTW152 NAME PLATE		1				
003	266130-9	TAPPING SCREW BIND PT 3X16		8				
004	251314-2	+ SCREW M4X12		1				
005	346317-0	HOOK		1				
006	419041-9	F/R CHANGE LEVER		1				
007	650652-3	SWITCH TG553FSB-1B		1				
008	652045-0	+PAN HEAD SCREW M3.5X5		2				
009	643866-1	TERMINAL		1				
010	424375-7	BUMPER		1				
011	452439-7	HAMMER CASE COVER		1				
012	140170-4	HAMMER CASE COMPLETE		1				
013	261116-8	NYLON WASHER 18		1				
014	325620-2	ANVIL		1				
015	324689-3	HAMMER		1				
016	216001-0	STEEL BALL 3.5		24				
017	267175-0	FLAT WASHER 24		1				
018	233473-4	COMPRESSION SPRING 25		1				
019	267766-7	CUP WASHER 14		1				
020	216011-7	STEEL BALL 5.6		2				
021	227233-4	SPUR GEAR 22		2	*			
021-1	227362-3	SPUR GEAR 22	<	2				
022	324220-5	SPINDLE		1				
023	256253-1	PIN 5		2				
024	267212-0	FLAT WASHER 12		1				
025	227150-8	INTERNAL GEAR 51		1				
026	213507-9	O RING 40		1				
027	154769-9	BEARING BOX COMPLETE		1				
028	638450-5	YOKE UNIT		1				
029	619244-7	ARMATURE		1	*			
029-1	619370-2	ARMATURE	<	1				
030	194427-5	CARBON BRUSH CB-440		1				
031	638895-7	BRUSH HOLDER COMPLETE		1				
C10	231696-8	TORSION SPRING R		1				
C20	231697-6	TORSION SPRING L		1				
032	263032-0	RUBBER PIN 4		2				
033	418981-8	REAR COVER		1				
034	266130-9	TAPPING SCREW BIND PT 3X16		2				
035	631631-0	LIGHT CIRCUIT		1				

Model No.DTW152 CORDLESS IMPACT WRENCH

Item	Parts No.	Description	I/C	Qty	New/Old	Opt. 1	Opt. 2	Note
036	187472-7	HOUSING SET		1				
C10	263005-3	RUBBER PIN 6		2				
D10		INC. 1						
038	231907-1	RING SPRING 10		1				
039	268184-2	PIN 1.5		1				
040	263036-2	RUBBER PIN 5		1				
041	424026-2	CUSHION		1				
A01	***DC18RC	DC18RC FAST CHARGER		1				
A02	194065-3	BATTERY BL1430 SET		2	*			
A02-1	194065-3	BATTERY BL1430 SET	O	2	*			
A02-2	197616-1	BATTERY BL1430B SET	<	2	*			
A02-3	197616-1	BATTERY BL1430B SET	O	2				
A03	141205-4	PLASTIC CARRYING CASE		1				
C10	324207-7	SHAFT		1				
C20	413098-2	PLATE		4				
C30	417724-5	LATCH		2				
C40	419215-2	PLASTIC CASE LID		1				
C50	419216-0	HANDLE		1				
A04	450128-8	BATTERY COVER		1				

Please order the parts with part number.

Print Date 8/9/2020