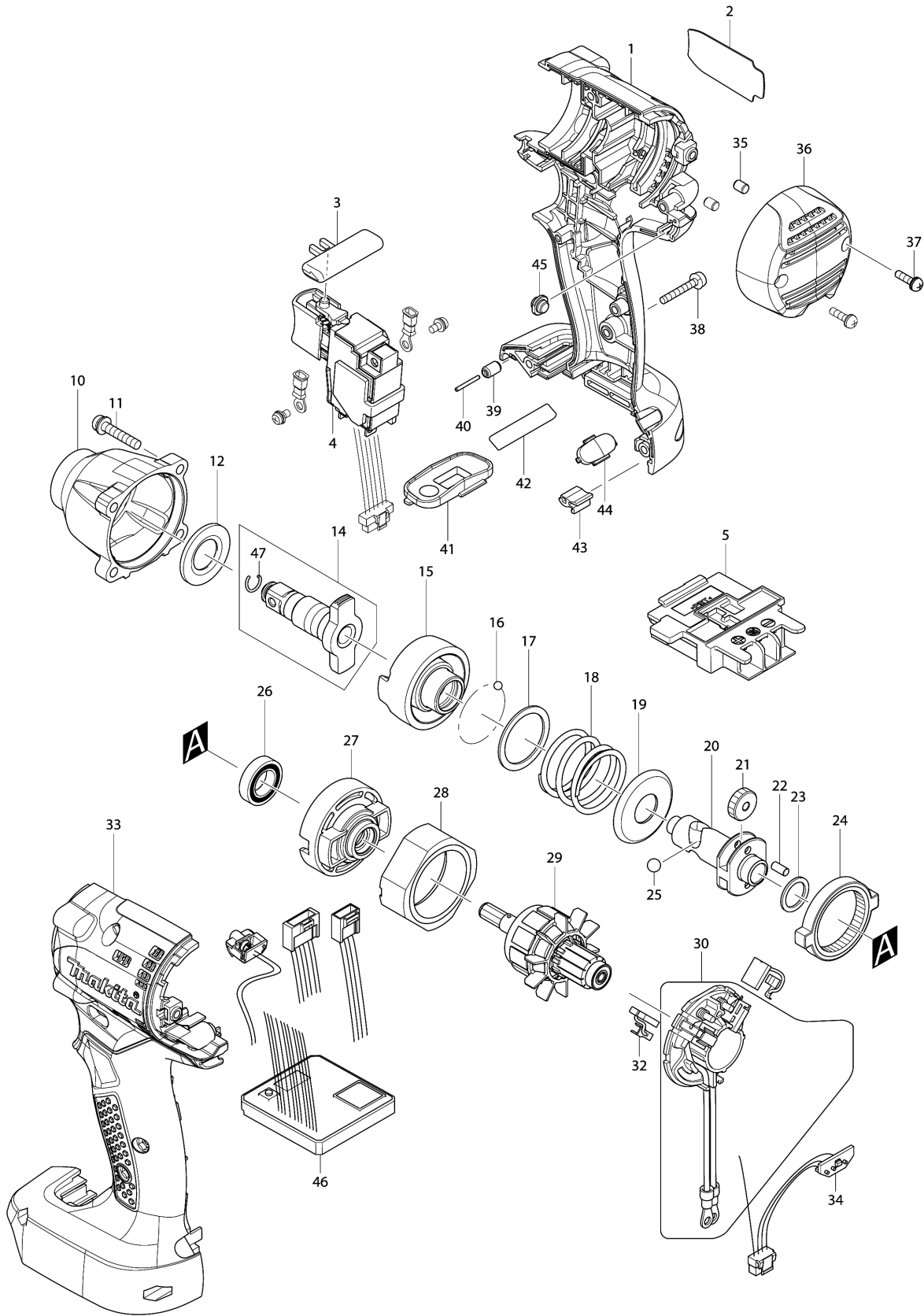


Model No.DTW104 CORDLESS IMPACT WRENCH



Model No.DTW104 CORDLESS IMPACT WRENCH

Item	Parts No.	Description	I/C	Qty	New/Old	Opt. 1	Opt. 2	Note
001-1	183K96-3	HOUSING SET		1				
C10	263005-3	RUBBER PIN 6		2				
D10		INC. 33						
002	855R53-0	DTW104 NAME PLATE		1				
003	419041-9	F/R CHANGE LEVER		1				
004-1	651364-1	SWITCH TG573FSB-5		1				
005	644803-8	TERMINAL		1				
010-2	144474-6	HAMMER CASE COMPLETE		1				
011	265145-3	+ PAN HEAD SCREW M4X22		4				
012	261108-7	NYLON WASHER 14		1				
014	135561-2	ANVIL E ASSEMBLY		1				
D10		INC. 47						
015	326284-5	HAMMER C		1				
016	216001-0	STEEL BALL 3.5		24				
017	267175-0	FLAT WASHER 24		1				
018	234296-3	COMPRESSION SPRING 25		1				
019	267851-6	CUP WASHER 14		1				
020	326286-1	SPINDLE		1				
021	227321-7	SPUR GEAR 16		2				
022	268217-3	PIN 3.5		2				
023	267104-3	FLAT WASHER 12		1				
024-2	221535-0	INTERNAL GEAR 39		1				
025	216011-7	STEEL BALL 5.6		2				
026	211136-2	BALL BEARING 6801LLB		1				
027	454414-9	INTERNAL GEAR CASE		1				
028	638396-5	YOKE UNIT		1				
029	619323-1	ARMATURE		1				
030-1	632N22-2	BRUSH HOLDER COMPLETE		1				
C10	688161-2	LINE FILTER		1				
C20	654037-5	INSULATED TERM. FT1.25-M3		1				
032-2	198887-3	CARBON BRUSH CB-5		1				
033-1	183K96-3	HOUSING SET		1				
C10	263005-3	RUBBER PIN 6		2				
D10		INC. 1						
034	620212-5	LED CIRCUIT		1				
035	263032-0	RUBBER PIN 4		2				
036-1	455357-8	REAR COVER		1				
037	266816-5	+ PAN HEAD SCREW M3X12 WITH WR		2				
038	265095-2	PAN HEAD SCREW M3X20		7				
039	263036-2	RUBBER PIN 5		1				
040	268184-2	PIN 1.5		1				

Model No.DTW104 CORDLESS IMPACT WRENCH

Item	Parts No.	Description	I/C	Qty	New/Old	Opt. 1	Opt. 2	Note
041	142065-7	SWITCH PLATE RED COMPLETE		1				
042	855R57-2	DTW104 SERIAL NO. LABEL		1				
043	424517-3	CUSHION		1				
044	454419-9	ID PLATE RED		1				
045	450522-4	LENS		1				
046-1	620462-2	CONTROLLER		1				
047	231964-9	RING SPRING 7		1				

Please order the parts with part number.

Print Date 24/1/2022