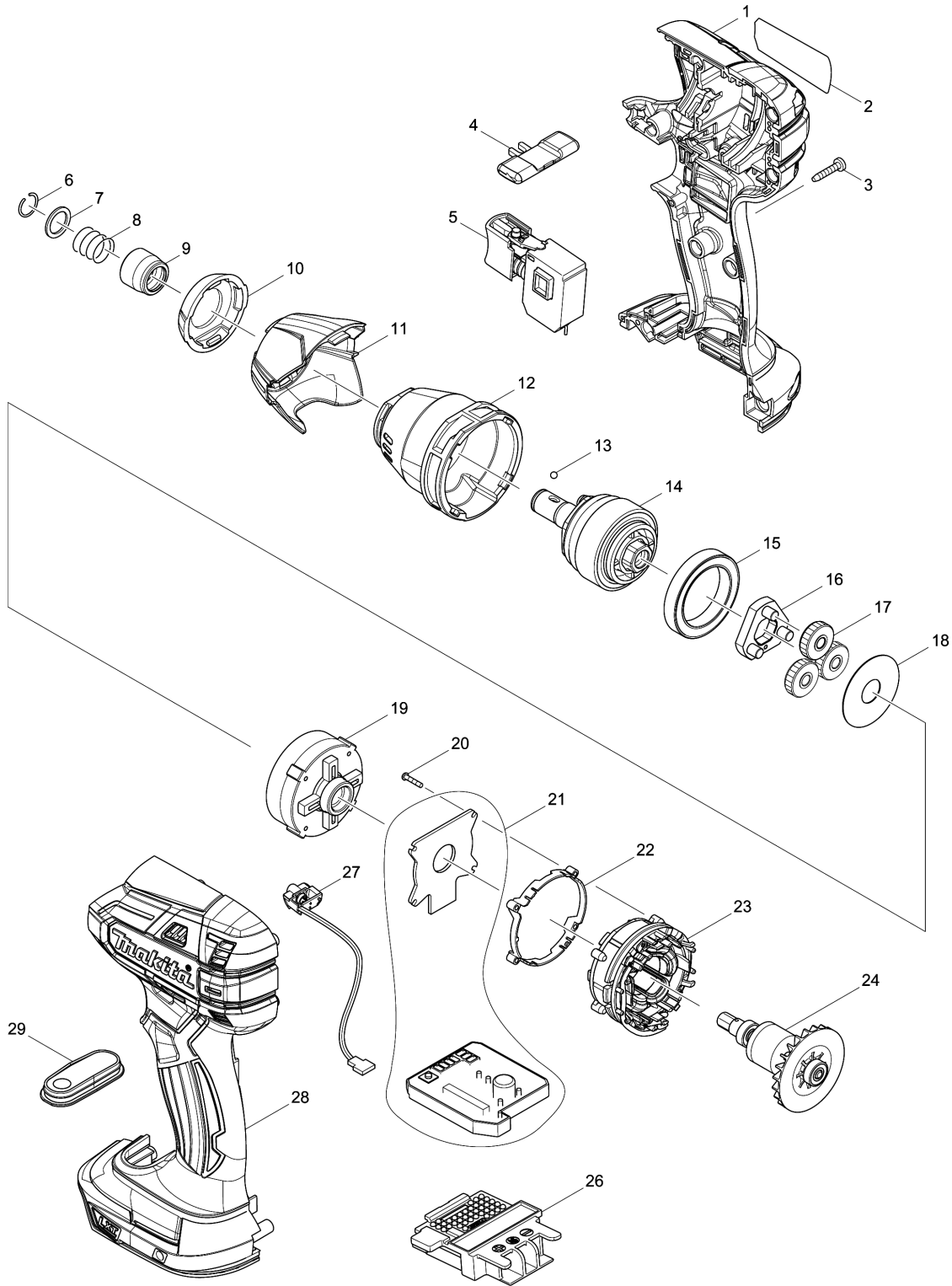


Model No.DTS131 CORDLESS OIL-PULSE DRIVER



Model No.DTS131 CORDLESS OIL-PULSE DRIVER

Item	Parts No.	Description	I/C	Qty	New/Old	Opt. 1	Opt. 2	Note
001	187991-3	HOUSING SET		1				
C10	263005-3	RUBBER PIN 6		2				
C20	252126-6	HEX. LOCK NUT M4-7		2				
D10		INC. 28						
002	850H77-1	DTS131 NAME PLATE		1				
003	266130-9	TAPPING SCREW BIND PT 3X16		9				
004	455053-8	F/R CHANGE LEVER		1				
005	650673-5	SWITCH C3JW-1A		1				
006	231965-7	RING SPRING 10		1				
007	267143-3	FLAT WASHER 11		1				
008	234347-2	COMPRESSION SPRING 11		1				
009A	326465-1	BIT SLEEVE		1	*			
009B	326465-1	BIT SLEEVE		1	*			
009-1A	326542-9	BIT SLEEVE	<	1				
009-1B	326542-9	BIT SLEEVE	<	1				
009-1C	326542-9	BIT SLEEVE		1				
009-1D	326542-9	BIT SLEEVE		1				
010	424662-4	BUMPER		1				
011	455468-9	UNIT CASE COVER		1				
012	142928-7	UNIT CASE COMPLETE		1				
C10	213126-1	OIL SEAL 12		1				
C20	211136-2	BALL BEARING 6801LLB		1				
013	216019-1	STEEL BALL 3		2				
014A	142936-8	OIL UNIT COMPLETE		1	*			
014B	142936-8	OIL UNIT COMPLETE		1	*			
014-1A	142936-8	OIL UNIT COMPLETE	<	1	*			
C10	143265-2	BIT PIECE C COMPLETE		1	*			
014-1B	142936-8	OIL UNIT COMPLETE	<	1	*			
C10	143265-2	BIT PIECE C COMPLETE		1	*			
014-2A	143275-9	OIL UNIT COMPLETE	<	1				
C10	143265-2	BIT PIECE C COMPLETE		1				
014-2B	143275-9	OIL UNIT COMPLETE	<	1				
C10	143265-2	BIT PIECE C COMPLETE		1				
014-2C	143275-9	OIL UNIT COMPLETE		1				
C10	143265-2	BIT PIECE C COMPLETE		1				
014-2D	143275-9	OIL UNIT COMPLETE		1				
C10	143265-2	BIT PIECE C COMPLETE		1				
015	211294-4	BALL BEARING 6806LLU		1				
016	142929-5	CARRIER COMPLETE		1				
017	227368-1	SPUR GEAR 22		3				
018	267067-3	FLAT WASHER 12		1				
019	227361-5	INTERNAL GEAR 51		1				

Please order the parts with part number.

Print Date 24/1/2022

Model No.DTS131 CORDLESS OIL-PULSE DRIVER

Item	Parts No.	Description	I/C	Qty	New/Old	Opt. 1	Opt. 2	Note
020	266786-8	+ PAN HEAD TAPPING SCREW 2X10		4				
021	620353-7	CONTROLLER		1	*			
021-1	620894-3	CONTROLLER	<	1				
022	687464-1	SUPPORT		1				
023	629136-2	STATOR		1				
024	619358-2	ROTOR		1				
026	643850-6	TERMINAL		1				
027	620355-3	LED CIRCUIT		1				
028	187991-3	HOUSING SET		1				
C10	263005-3	RUBBER PIN 6		2				
C20	252126-6	HEX. LOCK NUT M4-7		2				
D10		INC. 1						
029A	141583-2	SWITCH PLATE COMPLETE		1	*			
029B	141583-2	SWITCH PLATE COMPLETE		1	*			
029-1A	141583-2	SWITCH PLATE COMPLETE	<	1				
029-1B	141583-2	SWITCH PLATE COMPLETE	<	1				
029-1C	141583-2	SWITCH PLATE COMPLETE		1				
029-1D	141583-2	SWITCH PLATE COMPLETE		1				
A01	266622-8	+ TRUSS HEAD SCREW M4X12		1				
A02A	346317-0	HOOK		1				
A02B	346317-0	HOOK		1				
A02C	346449-3	HOOK		1				
A02D	346317-0	HOOK		1				
A03	821550-0	CONNECTOR PLASTIC CASE (TYPE2)		1				
C10	453974-8	LATCH		4				
A04	837670-0	INNER TRAY		1				
A05A	805G04-7	DTS131ZJ INDICATION LABEL		1				
A05B	805G08-9	DTS131RMJ INDICATION LABEL		1				
A05C	806S85-6	DTS131Y1J INDICATION LABEL		1				
A05D	809M60-5	DTS131RTJ INDICATION LABEL		1				
A06A	805G05-5	DTS131ZJ PLASTIC CASE LABEL		2				
A06B	805G09-7	DTS131RMJ PLASTIC CASE LABEL		2				
A06C	806S86-4	DTS131Y1J PLASTIC CASE LABEL		2				
A06D	809M61-3	DTS131RTJ PLASTIC CASE LABEL		2				
A07B	***DC18RC	DC18RC FAST CHARGER		1				
A07D	***DC18RC	DC18RC FAST CHARGER		1				
A08B	196388-5	BATTERY BL1440 SET		2	*			
A08C	196875-4	BATTERY BL1415N SET		1	*			

Model No.DTS131 CORDLESS OIL-PULSE DRIVER

Item	Parts No.	Description	I/C	Qty	New/Old	Opt. 1	Opt. 2	Note
A08-1B	196388-5	BATTERY BL1440 SET	O	2	*			
A08-1C	196875-4	BATTERY BL1415N SET	O	1				
A08-1D	197122-6	BATTERY BL1450 SET		2	*			
A08-2B	196388-5	BATTERY BL1440 SET	O	2				
A08-2D	197122-6	BATTERY BL1450 SET	O	2				
A09B	450128-8	BATTERY COVER		1				
A09D	450128-8	BATTERY COVER		1				

Please order the parts with part number.

Print Date 24/1/2022