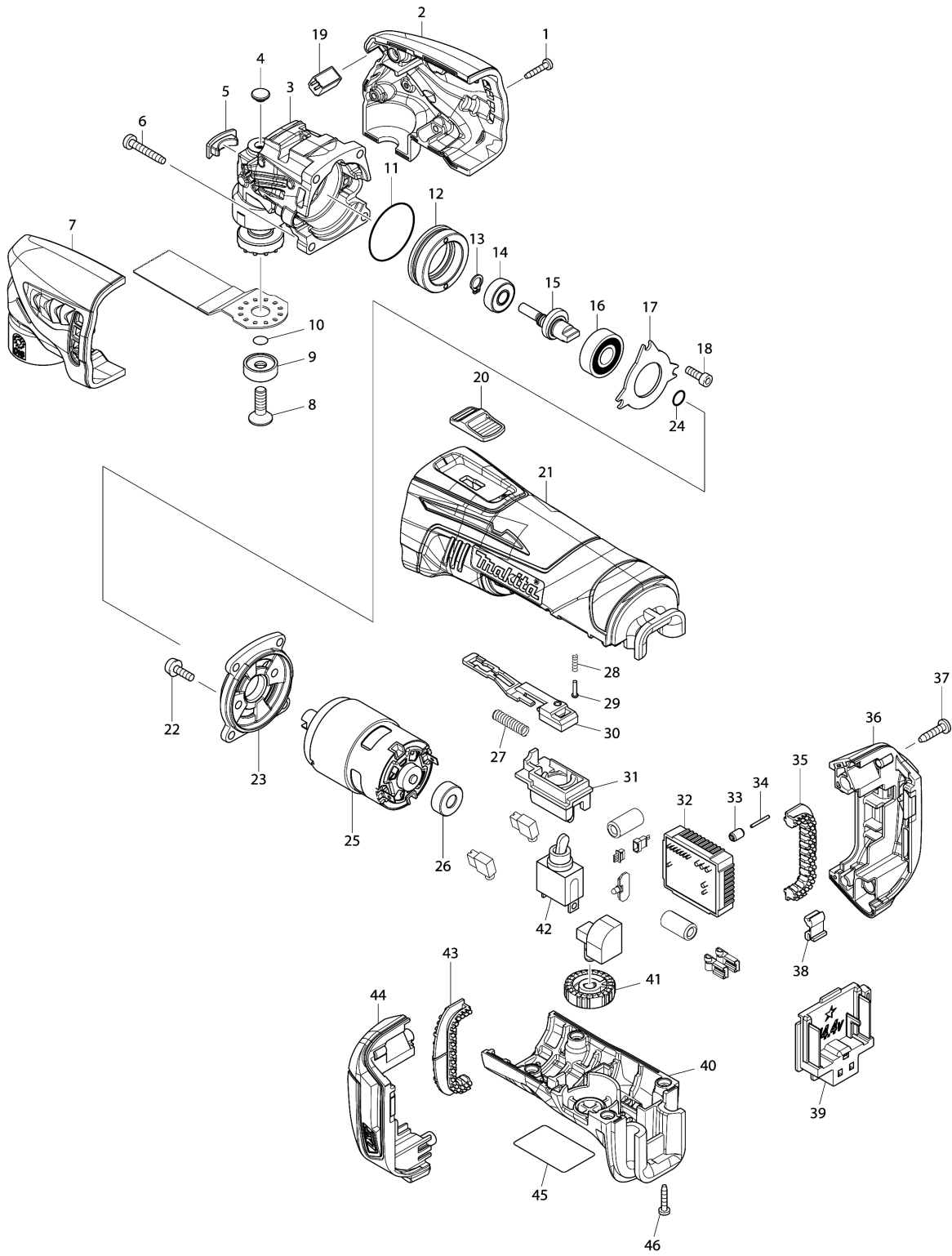


Model No.DTM40 CORDLESS MULTI TOOL



Model No.DTM40 CORDLESS MULTI TOOL

Item	Parts No.	Description	I/C	Qty	New/Old	Opt. 1	Opt. 2	Note
001	266429-2	TAPPING SCREW 3X16		4				
002	187346-2	HEAD COVER SET		1				
D10		INC. 7						
003	142400-9	CRANK HOUSING COMPLETE		1				
004	424511-5	CRANK HOUSING CAP B		1				
005	424510-7	CRANK HOUSING CAP A		1				
006	266374-1	TAPPING SCREW 4X25		4				
007	187346-2	HEAD COVER SET		1				
D10		INC. 2						
008	266783-4	HEX.SOCKET C.S.H.SCREW M6X20		1	*			
008-1	265674-6	HEX. SOKCET HEAD BOLT M6X14	S	1				
009	224455-7	OUTER FLANGE 22		1	*			
010	213021-5	O RING 5		1	*			
011	213479-8	O RING 33		1				
012	326187-3	BEARING BOX		1				
013	961003-8	RETAINING RING S-7		1				
014	211392-4	SPHERE BEARING 706		1				
015	326186-5	CRANK SHAFT		1				
016	210059-1	BALL BEARING 6000DDW		1				
017	285856-4	BEARING RETAINER		1				
018	922117-8	HEX. SOCKET HEAD BOLT M4X12		3				
019	620146-2	LED CIRCUIT		1				
020	453761-5	SWITCH KNOB		1				
021	453755-0	MOTOR HOUSING		1				
022	911516-9	PAN HEAD SCREW M4X12		2				
023	453762-3	HOUSING COVER		1				
024	213030-4	O RING 8		1				
025	629954-8	DC MOTOR		1				
026	424520-4	CAP		1				
027	234263-8	COMPRESSION SPRING 5		1				
028	233002-3	COMPRESSION SPRING 3		1				
029	255058-6	RIVET 2		1				
030	453757-6	SWITCH LEVER		1				
031	453760-7	SWITCH CASE		1				
032	632A00-4	CONTROLLER UNIT		1				
C10	688161-2	LINE FILTER		2				
033	263036-2	RUBBER PIN 5		1				
034	268184-2	PIN 1.5		1				
035	424473-7	CUSHION RUBBER		1				
036	187609-6	BATTERY HOUSING SET		1				
C10	263005-3	RUBBER PIN 6		2				

Please order the parts with part number.

Print Date 8/9/2020

Model No.DTM40 CORDLESS MULTI TOOL

Item	Parts No.	Description	I/C	Qty	New/Old	Opt. 1	Opt. 2	Note
D10		INC. 44						
037	266326-2	TAPPING SCREW 4X18		2				
038	424476-1	CUSHION		1				
039	643854-8	TERMINAL		1				
040	453756-8	HANDLE COVER		1				
041	271617-8	DIAL 28		1				
042	651423-1	SWITCH		1				
043	424473-7	CUSHION RUBBER		1				
044	187609-6	BATTERY HOUSING SET		1				
C10	263005-3	RUBBER PIN 6		2				
D10		INC. 36						
045	815M22-3	DTM40 NAME PLATE		1				
046	266429-2	TAPPING SCREW 3X16		4				
A01	783233-9	HEX. WRENCH 5		1				
A02H	***DC18RC	DC18RC FAST CHARGER		1				
A02I	***DC18SD	DC18SD BATTERY CHARGER		1				
A02J	***DC18SD	DC18SD BATTERY CHARGER		1				
A02K	***DC18RC	DC18RC FAST CHARGER		1				
A03H	194065-3	BATTERY BL1430 SET		2	*			
A03I	194065-3	BATTERY BL1430 SET		2	*			
A03J	194065-3	BATTERY BL1430 SET		2	*			
A03K	194065-3	BATTERY BL1430 SET		2	*			
A03-1H	194065-3	BATTERY BL1430 SET	O	2	*			
A03-1I	194065-3	BATTERY BL1430 SET	O	2	*			
A03-1J	194065-3	BATTERY BL1430 SET	O	2	*			
A03-1K	194065-3	BATTERY BL1430 SET	O	2	*			
A03-2H	197616-1	BATTERY BL1430B SET	<	2	*			
A03-2I	197616-1	BATTERY BL1430B SET	<	2	*			
A03-2J	197616-1	BATTERY BL1430B SET	<	2	*			
A03-2K	197616-1	BATTERY BL1430B SET	<	2	*			
A03-3H	197616-1	BATTERY BL1430B SET	O	2				
A03-3I	197616-1	BATTERY BL1430B SET	O	2				
A03-3J	197616-1	BATTERY BL1430B SET	O	2				
A03-3K	197616-1	BATTERY BL1430B SET	O	2				
A04H	450128-8	BATTERY COVER		1				
A04I	450128-8	BATTERY COVER		1				
A04J	450128-8	BATTERY COVER		1				
A04K	450128-8	BATTERY COVER		1				
A05H	141562-0	PLASTIC CASE COMPLETE		1				
C10	162302-3	LATCH		2				
C20	324319-6	SHAFT		1				
C30	451749-9	HANDLE		1				

Please order the parts with part number.

Print Date 8/9/2020

Model No.DTM40 CORDLESS MULTI TOOL

Item	Parts No.	Description	I/C	Qty	New/Old	Opt. 1	Opt. 2	Note
A05I	141562-0	PLASTIC CASE COMPLETE		1				
C10	162302-3	LATCH		2				
C20	324319-6	SHAFT		1				
C30	451749-9	HANDLE		1				
A05J	141562-0	PLASTIC CASE COMPLETE		1				
C10	162302-3	LATCH		2				
C20	324319-6	SHAFT		1				
C30	451749-9	HANDLE		1				
A05K	821551-8	CONNECTOR PLASTIC CASE (TYPE3)		1				
C10	453974-8	LATCH		4				
A05L	821551-8	CONNECTOR PLASTIC CASE (TYPE3)		1				
C10	453974-8	LATCH		4				
A06H	803M41-1	DTM40RFE PLASTIC CASE LABEL		2				
A06I	803M55-0	DTM40SFEX1 PLASTIC CASE LABEL		2				
A06J	803M56-8	DTM40SFE PLASTIC CASE LABEL		2				
A06K	837671-8	INNER TRAY		1				
A06L	837671-8	INNER TRAY		1				
A07K	803M49-5	DTM40RFJ PLASTIC CASE LABEL		2				
A07L	803M36-4	DTM40ZJ PLASTIC CASE LABEL		2				
A08K	803M58-4	DTM40RFJ INDICATION LABEL		1				
A08L	803M57-6	DTM40ZJ INDICATION LABEL		1				
A09K	454247-2	PIN 4		4				
A09L	454247-2	PIN 4		4				
A10K	821538-0	TOOL BOX		1				
A10L	821538-0	TOOL BOX		1				

Please order the parts with part number.

Print Date 8/9/2020