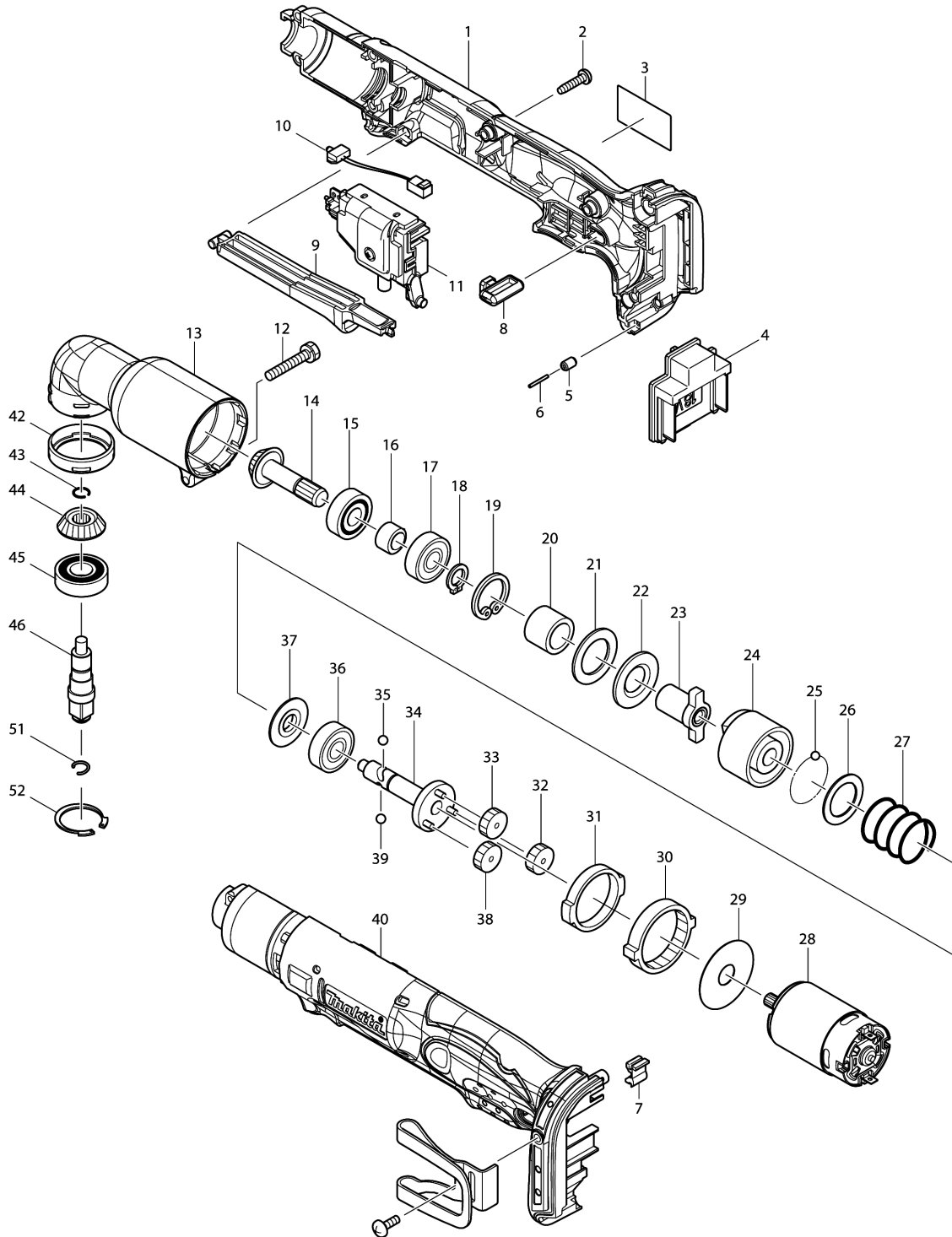


Model No.DTL063 CORDLESS ANGLE IMPACT WRENCH



Model No.DTL063 CORDLESS ANGLE IMPACT WRENCH

Item	Parts No.	Description	I/C	Qty	New/Old	Opt. 1	Opt. 2	Note
001	187502-4	HOUSING SET		1				
C10	263005-3	RUBBER PIN 6		2				
D10		INC. 40						
002	265995-6	TAPPING SCREW 4X18		8				
003	815L75-6	DTL063 NAME PLATE		1				
004	643852-2	TERMINAL		1				
005	263036-2	RUBBER PIN 5		1				
006	268184-2	PIN 1.5		1				
007	424026-2	CUSHION		1				
008	450126-2	FR CHANGE LEVER		1				
009	450125-4	SWITCH LEVER		1				
010	631778-0	LED CIRCUIT		1				
011	638884-2	SWITCH UNIT		1				
012	265409-5	+ HEX. BOLT M5X30		1				
013	152461-1	ANGLE HEAD COMPLETE		1				
014	226720-0	ZEROL BEVEL GEAR 13		1				
015	211064-1	BALL BEARING 6000		1				
016	257660-1	SLEEVE 10		1				
017	211061-7	BALL BEARING 6000LLB		1				
018	961006-2	RETAINING RING S-10		1				
019	962105-3	RETAINING RING R-26		1				
020	257662-7	SLEEVE 15		1				
021	261095-0	RUBBER WASHER 21		1				
022	267120-5	FLAT WASHER 15		1				
023	322689-7	ANVIL		1				
024	322688-9	HAMMER		1				
025	216001-0	STEEL BALL 3.5		22				
026	267121-3	FLAT WASHER 20		1				
027	233107-9	COMPRESSION SPRING 22		1				
028	629966-1	DC MOTOR		1				
029	267053-4	FLAT WASHER 12		1				
030	226280-2	INTERNAL GEAR 69		1				
031	257187-1	RING 32		1				
032	226279-7	SPUR GEAR 29		1				
033	226279-7	SPUR GEAR 29		1				
034	154416-2	SPINDLE COMPLETE		1				
035	216002-8	STEEL BALL 4.8		1				
036	211064-1	BALL BEARING 6000		1				
037	322719-4	WASHER 10		1				
038	226279-7	SPUR GEAR 29		1				
039	216002-8	STEEL BALL 4.8		1				
040	187502-4	HOUSING SET		1				

Please order the parts with part number.

Print Date 27/3/2020

Model No.DTL063 CORDLESS ANGLE IMPACT WRENCH

Item	Parts No.	Description	I/C	Qty	New/Old	Opt. 1	Opt. 2	Note
C10	263005-3	RUBBER PIN 6		2				
D10		INC. 1						
042	424044-0	RUBBER RING 32		1				
043	231990-8	RING SPRING 9		1				
044	226721-8	ZEROL BEVEL GEAR 13		1				
045	211131-2	BALL BEARING 6001DDW		1				
046	324026-1	SPINDLE		1				
051	231964-9	RING SPRING 7		1				
052	962116-8	RETAINING RING R-28		1				
A01	346317-0	HOOK		1				
A02	251314-2	+ SCREW M4X12		1				
A03G	***DC18RC	DC18RC FAST CHARGER		1				
A03H	***DC18RC	DC18RC FAST CHARGER		1				
A03I	***DC18RC	DC18RC FAST CHARGER		1				
A04G	194204-5	BATTERY BL1830 SET		1	*			
A04H	194204-5	BATTERY BL1830 SET		2	*			
A04I	194204-5	BATTERY BL1830 SET		2	*			
A04-1G	194204-5	BATTERY BL1830 SET	O	1	*			
A04-1H	194204-5	BATTERY BL1830 SET	O	2	*			
A04-1I	194204-5	BATTERY BL1830 SET	O	2	*			
A04-2G	197600-6	BATTERY BL1830B SET	<	1	*			
A04-2H	197600-6	BATTERY BL1830B SET	<	2	*			
A04-2I	197600-6	BATTERY BL1830B SET	<	2	*			
A04-3G	197600-6	BATTERY BL1830B SET	O	1				
A04-3H	197600-6	BATTERY BL1830B SET	O	2				
A04-3I	197600-6	BATTERY BL1830B SET	O	2				
A05G	141493-3	PLASTIC CARRYING CASE		1				
C10	163455-1	LATCH		2				
C20	419360-3	HANDLE		1				
A05H	141493-3	PLASTIC CARRYING CASE		1				
C10	163455-1	LATCH		2				
C20	419360-3	HANDLE		1				
A05I	821550-0	CONNECTOR PLASTIC CASE (TYPE2)		1				
C10	453974-8	LATCH		4				
A05J	821550-0	CONNECTOR PLASTIC CASE (TYPE2)		1				
C10	453974-8	LATCH		4				
A06G	803L52-0	DTL063RF MODEL NO. LABEL		1				
A06H	803L53-8	DTL063RFE MODEL NO. LABEL		1				
A06I	837644-1	INNER TRAY		1				
A06J	837644-1	INNER TRAY		1				
A07H	450128-8	BATTERY COVER		1				

Model No.DTL063 CORDLESS ANGLE IMPACT WRENCH

Item	Parts No.	Description	I/C	Qty	New/Old	Opt. 1	Opt. 2	Note
A07I	450128-8	BATTERY COVER		2				
A08I	803L48-1	DTL063RFJ INDICATION LABEL		1				
A08J	803L49-9	DTL063ZJ INDICATION LABEL		1				
A09I	803L50-4	DTL063RFJ PLASTIC CASE LABEL		2				
A09J	803L51-2	DTL063ZJ PLASTIC CASE LABEL		2				

Please order the parts with part number.

Print Date 27/3/2020