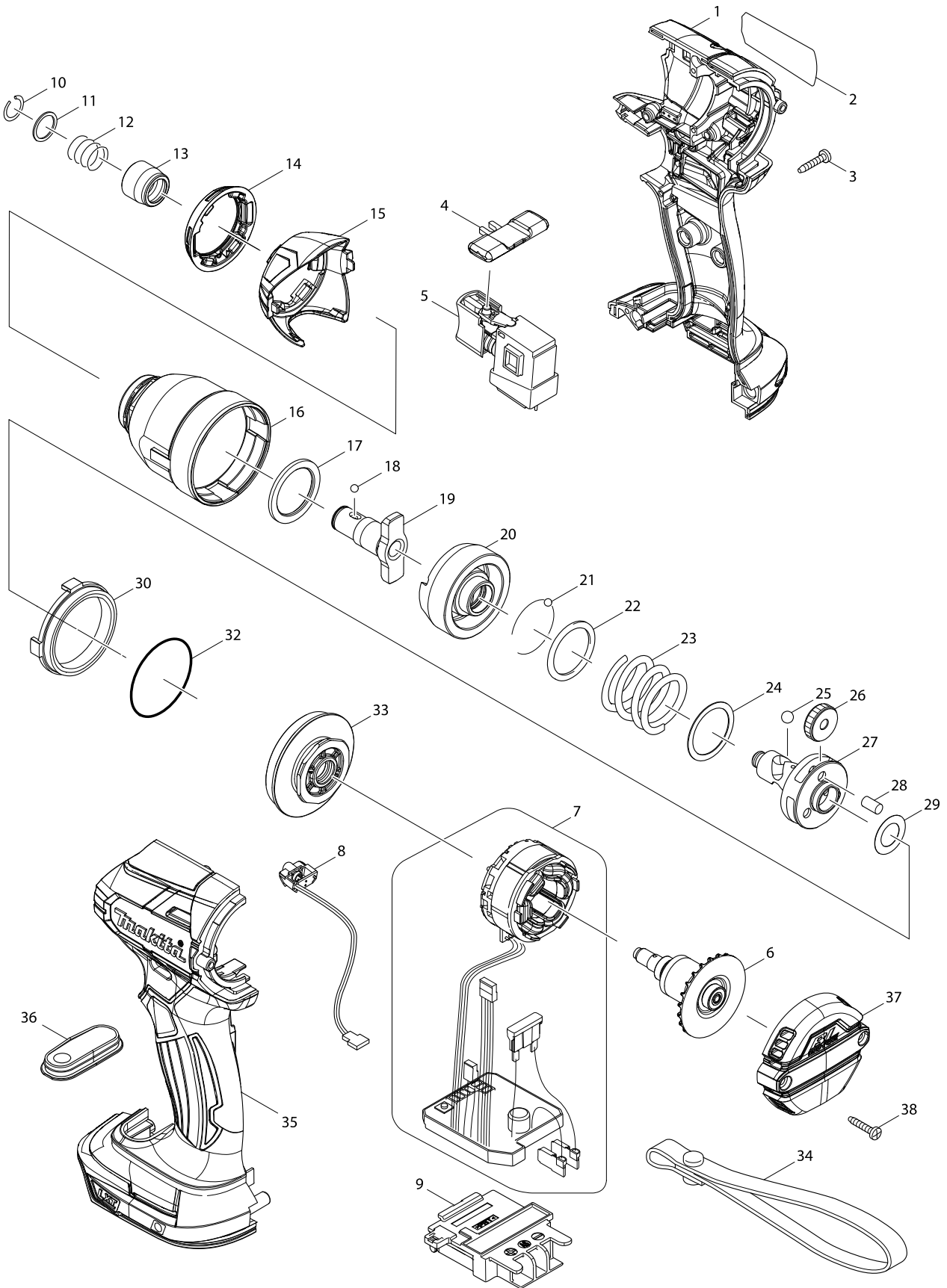


Model No. DTD148 CORDLESS IMPACT DRIVER



Model No. DTD148 CORDLESS IMPACT DRIVER

Item	Parts No.	Description	I/C	Qty	N/O	Opt. 1	Opt. 2	Note
001	187973-5	HOUSING SET		1				
C10	263005-3	RUBBER PIN 6		2				
D10		INC. 35						
002	850D20-6	DTD148 NAME PLATE		1				
003	266130-9	TAPPING SCREW BIND PT 3X16		8				
004	455053-8	F/R CHANGE LEVER		1				
005	141448-8	SWITCH COMPLETE		1				
006	619343-5	ROTOR		1				
007	632D61-2	STATOR UNIT		1				
008	620294-7	LED CIRCUIT		1				
009	643860-3	TERMINAL		1				
010	231951-8	RING SPRING 11		1				
011	267085-1	FLAT WASHER 12		1				
012	233005-7	COMPRESSION SPRING 13		1				
013	326072-0	BIT SLEEVE		1				
014	424627-6	BUMPER		1				
015	455051-2	HAMMER CASE COVER		1				
016	142516-0	HAMMER CASE COMPLETE		1				
017	261155-8	NYLON WASHER 24		1				
018	216001-0	STEEL BALL 3.5		2				
019	326431-8	ANVIL M		1	*			
019-1	326508-9	ANVIL M	<	1				
020	326412-2	HAMMER		1				
021	216001-0	STEEL BALL 3.5		24				
022	267175-0	FLAT WASHER 24		1				
023	234331-7	COMPRESSION SPRING 24		1				
024	253090-4	FLAT WASHER 24		1				
025	216011-7	STEEL BALL 5.6		2				
026	227338-0	SPUR GEAR 22		3				
027	326411-4	SPINDLE		1				
028	268311-1	PIN 5		3				
029	253314-8	THIN WASHER 15		1				
030	227351-8	INTERNAL GEAR 51		1				
032	213507-9	O RING 40		1				
033	142517-8	BEARING BOX COMPLETE		1				
035	187973-5	HOUSING SET		1				
C10	263005-3	RUBBER PIN 6		2				
D10		INC. 1						
036	141583-2	SWITCH PLATE COMPLETE		1	*			
036-1	141583-2	SWITCH PLATE COMPLETE	<	1				
037	455052-0	REAR COVER		1				
038	266130-9	TAPPING SCREW BIND PT 3X16		2				
A01	266622-8	+ TRUSS HEAD SCREW M4X12		1				
A02	346317-0	HOOK		1				