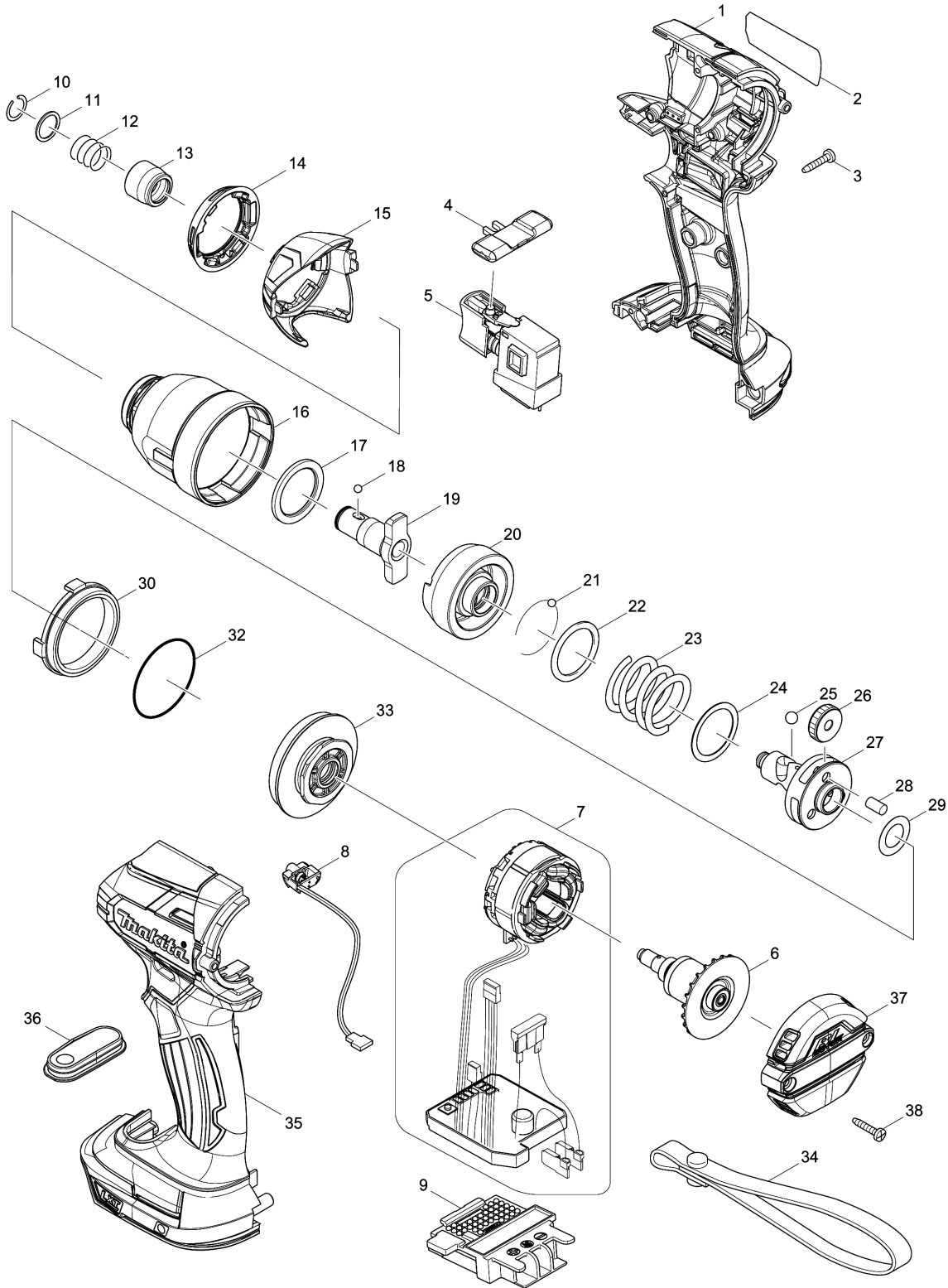


Model No.DTD137 CORDLESS IMPACT DRIVER



Model No.DTD137 CORDLESS IMPACT DRIVER

Item	Parts No.	Description	I/C	Qty	New/Old	Opt. 1	Opt. 2	Note
001	187972-7	HOUSING SET		1				
C10	263005-3	RUBBER PIN 6		2				
D10		INC. 35						
002	850D06-0	DTD137 NAME PLATE		1				
003	266130-9	TAPPING SCREW BIND PT 3X16		8				
004	455053-8	F/R CHANGE LEVER		1				
005	141448-8	SWITCH COMPLETE		1				
006	619343-5	ROTOR		1				
007	632D60-4	STATOR UNIT		1				
008	620294-7	LED CIRCUIT		1				
009	643850-6	TERMINAL		1				
010	231951-8	RING SPRING 11		1				
011	267085-1	FLAT WASHER 12		1				
012	233005-7	COMPRESSION SPRING 13		1				
013	326072-0	BIT SLEEVE		1				
014	424627-6	BUMPER		1				
015	455051-2	HAMMER CASE COVER		1				
016	142516-0	HAMMER CASE COMPLETE		1	*			
016-1	144788-3	HAMMER CASE COMPLETE	<	1				
017	261155-8	NYLON WASHER 24		1				
018	216001-0	STEEL BALL 3.5		2				
019A	326431-8	ANVIL M		1	*			
019B	326431-8	ANVIL M		1	*			
019-1A	326508-9	ANVIL M	<	1				
019-1B	326508-9	ANVIL M	<	1				
019-1C	326508-9	ANVIL M		1				
019-1D	326508-9	ANVIL M		1				
020	326412-2	HAMMER		1				
021	216001-0	STEEL BALL 3.5		24				
022	267175-0	FLAT WASHER 24		1				
023	234251-5	COMPRESSION SPRING 25		1				
024	253090-4	FLAT WASHER 24		1				
025	216011-7	STEEL BALL 5.6		2				
026	227338-0	SPUR GEAR 22		3				
027	326411-4	SPINDLE		1				
028	268311-1	PIN 5		3				
029	253314-8	THIN WASHER 15		1				
030	227351-8	INTERNAL GEAR 51		1				
032	213507-9	O RING 40		1				
033	142517-8	BEARING BOX COMPLETE		1				
035	187972-7	HOUSING SET		1				
C10	263005-3	RUBBER PIN 6		2				

Please order the parts with part number.

Print Date 8/9/2020

Model No.DTD137 CORDLESS IMPACT DRIVER

Item	Parts No.	Description	I/C	Qty	New/Old	Opt. 1	Opt. 2	Note
D10		INC. 1						
036A	141583-2	SWITCH PLATE COMPLETE		1	*			
036B	141583-2	SWITCH PLATE COMPLETE		1	*			
036-1A	141583-2	SWITCH PLATE COMPLETE	<	1				
036-1B	141583-2	SWITCH PLATE COMPLETE	<	1				
036-1C	141583-2	SWITCH PLATE COMPLETE		1				
036-1D	141583-2	SWITCH PLATE COMPLETE		1				
037	455052-0	REAR COVER		1				
038	266130-9	TAPPING SCREW BIND PT 3X16		2				
A01	266622-8	+ TRUSS HEAD SCREW M4X12		1				
A02A	346317-0	HOOK		1				
A02B	346317-0	HOOK		1				
A02C	346449-3	HOOK		1				
A02D	346317-0	HOOK		1				
A03B	450128-8	BATTERY COVER		1				
A03D	450128-8	BATTERY COVER		1				
A04B	***DC18RC	DC18RC FAST CHARGER		1				
A04D	***DC18RC	DC18RC FAST CHARGER		1				
A05B	196388-5	BATTERY BL1440 SET		2	*			
A05C	196875-4	BATTERY BL1415N SET		1	*			
A05-1B	196388-5	BATTERY BL1440 SET	O	2	*			
A05-1C	196875-4	BATTERY BL1415N SET	O	1				
A05-1D	197122-6	BATTERY BL1450 SET		2	*			
A05-2B	196388-5	BATTERY BL1440 SET	O	2				
A05-2D	197122-6	BATTERY BL1450 SET	O	2				
A06	821550-0	CONNECTOR PLASTIC CASE (TYPE2)		1				
C10	453974-8	LATCH		4				
A07	837670-0	INNER TRAY		1				
A08A	804W83-8	DTD137ZJ INDICATION LABEL		1				
A08B	804W87-0	DTD137RMJ INDICATION LABEL		1				
A08C	806E13-7	DTD137Y1J INDICATION LABEL		1				
A08D	809M50-8	DTD137RTJ INDICATION LABEL		1				
A09A	804W84-6	DTD137ZJ PLASTIC CASE LABEL		2				
A09B	804W88-8	DTD137RMJ PLASTIC CASE LABEL		2				
A09C	806E17-9	DTD137Y1J PLASTIC CASE LABEL		2				
A09D	809M51-6	DTD137RTJ PLASTIC CASE LABEL		2				

Please order the parts with part number.

Print Date 8/9/2020