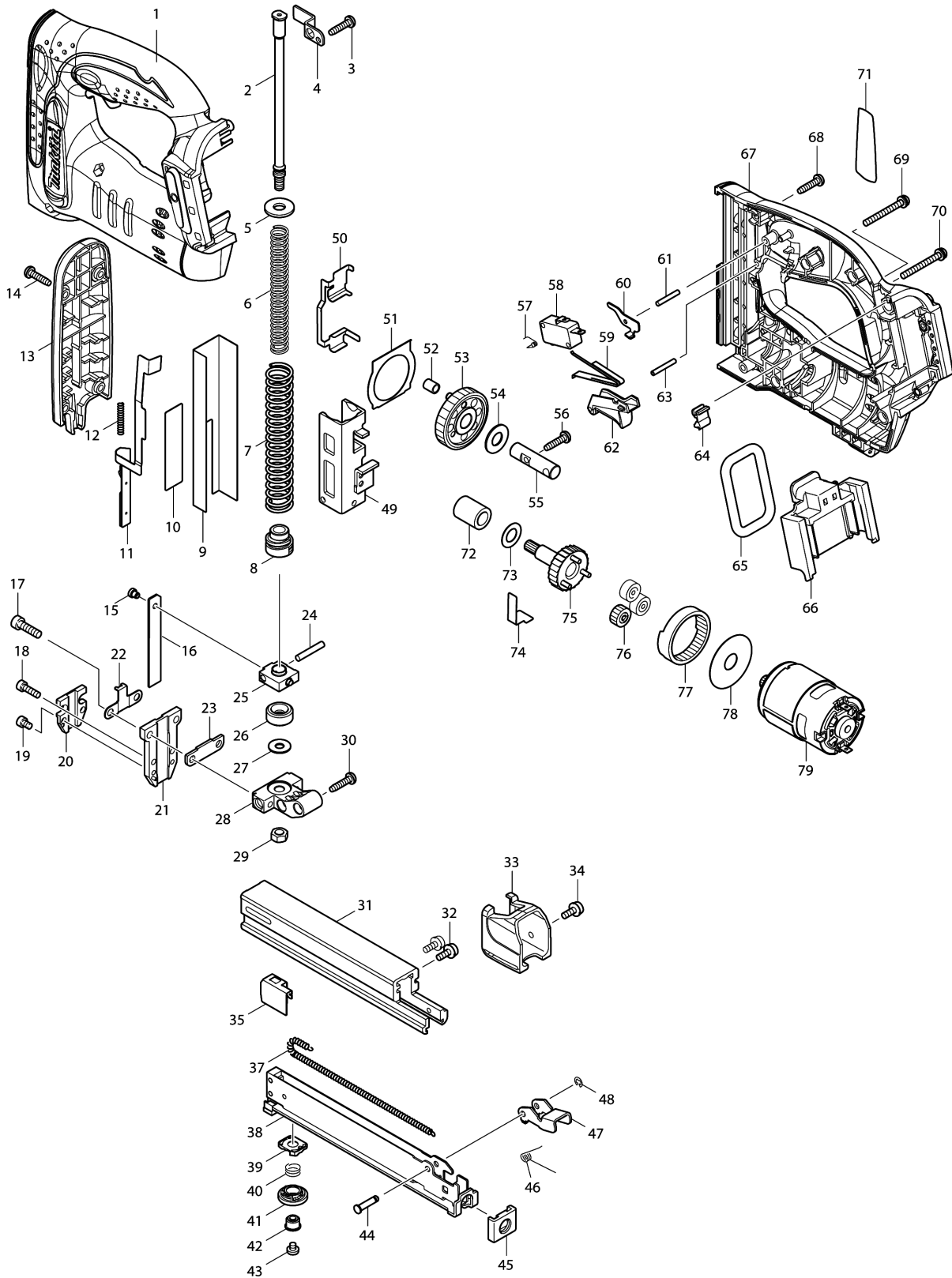


Model No.DST220 CORDLESS STAPLER



Model No.DST220 CORDLESS STAPLER

Item	Parts No.	Description	I/C	Qty	New/Old	Opt. 1	Opt. 2	Note
001	187937-9	HOUSING SET		1				
C10	263005-3	RUBBER PIN 6		2				
D10		INC. 67						
002	325635-9	GUIDE BOLT		1				
003	265995-6	TAPPING SCREW 4X18		1				
004	345907-6	FIX PLATE		1				
005	253762-1	FLAT WASHER 8		1				
006	234060-2	COMPRESSION SPRING 9		1				
007	234101-4	COMPRESSION SPRING 13		1				
008	424135-7	SPRING HOLDER		1				
009	345978-3	GUIDE PLATE		1				
010	345906-8	UPPER PLATE		1				
011	165602-0	SAFETY LEVER		1	*			
011-1	161468-6	SAFETY LEVER	S	1				
012	234078-3	COMPRESSION SPRING 4		1				
013	450539-7	FRONT COVER		1				
014	265995-6	TAPPING SCREW 4X18		4				
015	268157-5	PIN 4		1				
016	345996-1	DRIVER		1				
017	922227-1	HEX. SOCKET HEAD BOLT M5X18		2				
018	266201-2	HEX.SOCKET HEAD BOLT M4X14		2				
019	266199-3	HEX.SOCKET HEAD BOLT M4X6		2				
020	451801-3	SAEFTY LEVER GUIDE		1	*			
020-1	456800-0	SAEFTY LEVER GUIDE	S	1				
021	158759-4	DRIVER GUIDE COMPLETE		1				
022	345910-7	SPRING BASE		1				
023	344670-8	SET PLATE		1				
024	256206-0	PIN 4		1				
025	313150-5	DRIVER LOCK		1				
026	424099-5	CUSHION		1				
027	253804-1	FLAT WASHER 6		1				
028	318267-9	HOLDER		1				
029	931302-2	HEX. NUT M6		1				
030	265995-6	TAPPING SCREW 4X18		1				
031	331842-4	MAIN MAGAZINE		1				
032	911113-1	PAN HEAD SCREW M4X10 WITH WR		2				
033	450540-2	END CAP		1				
034	911113-1	PAN HEAD SCREW M4X10 WITH WR		1				
035	345997-9	PUSHER		1				
037	231854-6	TENSION SPRING 3		1				

Model No.DST220 CORDLESS STAPLER

Item	Parts No.	Description	I/C	Qty	New/Old	Opt. 1	Opt. 2	Note
038	165532-5	SUB MAGAZINE		1				
039	450775-5	ADJUSTER BASE		1				
040	231323-7	COMPRESSION SPRING 9		1				
041	450702-2	ADJUSTER		1				
042	450774-7	LOCK SLEEVE		1				
043	265127-5	+ PAN HEAD SCREW M4X4		1				
044	268029-4	PIN 4		1				
045	421637-4	MAGAZINE END		1				
046	233528-5	TORSION SPRING 5		1				
047	345861-4	LEVER		1				
048	961017-7	STOP RING E-3		1				
049	165506-6	HAMMER		1				
050	345914-9	SLIDE PLATE		1				
051	343629-2	PLATE		1				
052	257772-0	SLEEVE 5		1				
053	158646-7	SPUR GEAR 55 COMPLETE		1				
054	253171-4	FLAT WASHER 10		1				
055	324947-7	PIN 10		1				
056	265995-6	TAPPING SCREW 4X18		1				
057	233531-6	TORSION SPRING 3		1				
058	651891-8	SWITCH V-15-3A6		1				
059	232240-4	LEAF SPRING		1				
060	345908-4	RELEASE PLATE		1				
061	256221-4	PIN 3		1				
062	450536-3	TRIGGER		1				
063	256221-4	PIN 3		1				
064	424026-2	CUSHION		1				
065	424030-1	CUSHION		1				
066	644811-9	TERMINAL		1				
067	187937-9	HOUSING SET		1				
C10	263005-3	RUBBER PIN 6		2				
D10		INC. 1						
068	265995-6	TAPPING SCREW 4X18		6				
069	911163-6	PAN HEAD SCREW M4X35		1				
070	911163-6	PAN HEAD SCREW M4X35		1				
071	815X74-0	DST220 NAME PLATE		1				
072	214058-5	PLANE BEARING 10		1				
073	253758-2	FLAT WASHER 10		1				
074	232241-2	LEAF SPRING		1				
075	158647-5	SPUR GEAR 7 COMPLETE		1				
076	221961-3	SPUR GEAR 27		3				
077	221999-8	INTERNAL GEAR 69		1				

Model No.DST220 CORDLESS STAPLER

Item	Parts No.	Description	I/C	Qty	New/Old	Opt. 1	Opt. 2	Note
078	267053-4	FLAT WASHER 12		1				
079	629127-3	DC MOTOR		1				
A01	195246-2	SAFETY GOGGLE		1	*			
A02	251314-2	+ SCREW M4X12		1				
A03	346317-0	HOOK		1				
A04E	141074-3	PLASTIC CARRYING CASE COMPLETE		1				
C10	324667-3	SHAFT		1				
C20	413098-2	PLATE		4				
C30	417724-5	LATCH		2				
C40	419215-2	PLASTIC CASE LID		1				
C50	419216-0	HANDLE		1				
A04G	821550-0	CONNECTOR PLASTIC CASE (TYPE2)		1				
C10	453974-8	LATCH		4				
A04H	821550-0	CONNECTOR PLASTIC CASE (TYPE2)		1				
C10	453974-8	LATCH		4				
A05E	804N25-8	DST220RFE PLASTIC CASE LABEL		1				
A05G	837640-9	INNER TRAY		1				
A05H	837640-9	INNER TRAY		1				
A06E	194065-3	BATTERY BL1430 SET		2	*			
A06G	194065-3	BATTERY BL1430 SET		2	*			
A06-1E	194065-3	BATTERY BL1430 SET	O	2	*			
A06-1G	194065-3	BATTERY BL1430 SET	O	2	*			
A06-2E	197616-1	BATTERY BL1430B SET	<	2	*			
A06-2G	197616-1	BATTERY BL1430B SET	<	2	*			
A06-3E	197616-1	BATTERY BL1430B SET	O	2				
A06-3G	197616-1	BATTERY BL1430B SET	O	2				
A07E	450128-8	BATTERY COVER		1				
A07G	450128-8	BATTERY COVER		1				
A08E	***DC18RC	DC18RC FAST CHARGER		1				
A08G	***DC18RC	DC18RC FAST CHARGER		1				
A09G	804N20-8	DST220RFJ INDICATION LABEL		1				
A09H	804N21-6	DST220ZJ INDICATION LABEL		1				
A10G	804N23-2	DST220RFJ PLASTIC CASE LABEL		2				
A10H	804N24-0	DST220ZJ PLASTIC CASE LABEL		2				

Please order the parts with part number.

Print Date 8/9/2020