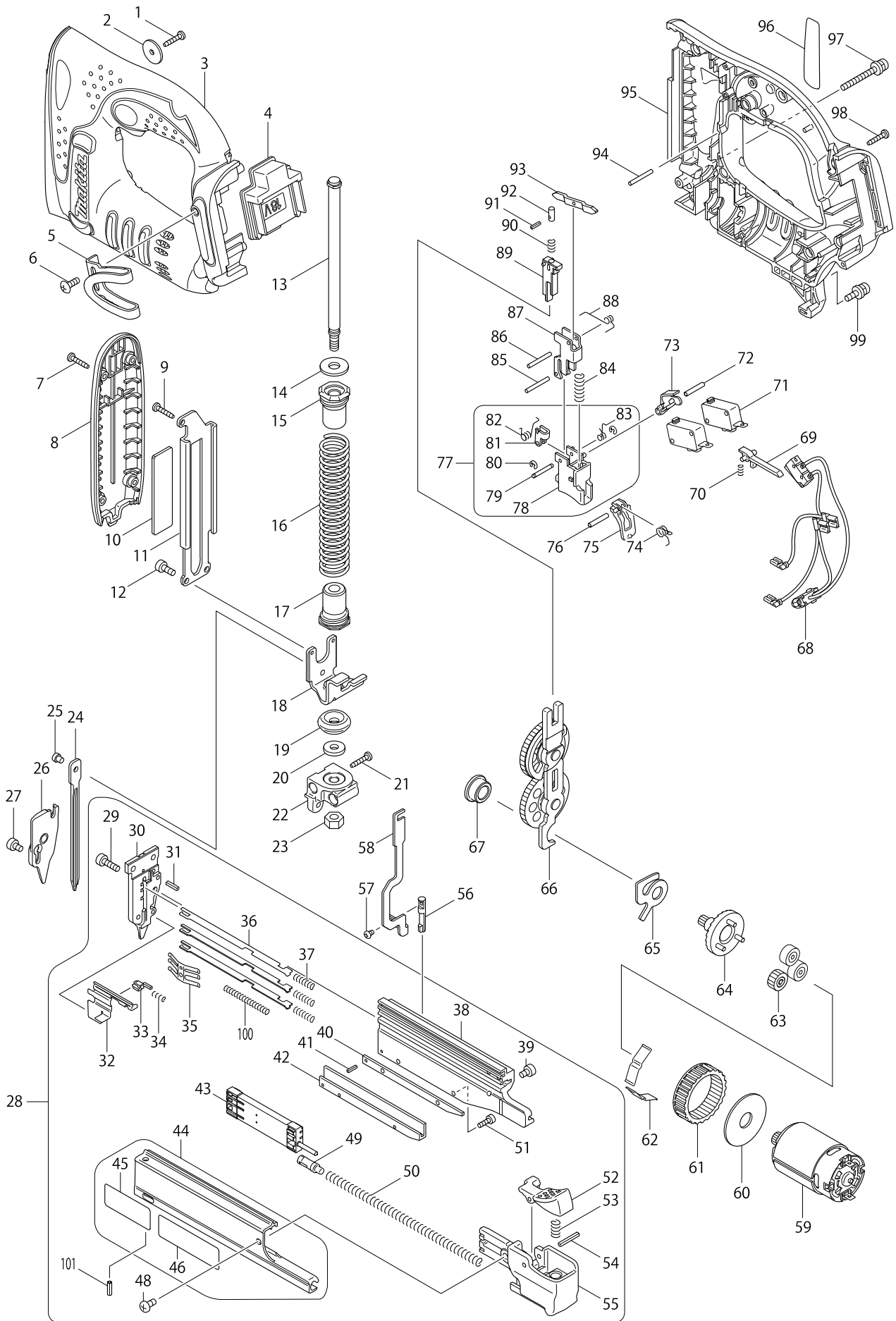


# Model No. DPT351 CORDLESS PIN NAILER



# Model No. DPT351 CORDLESS PIN NAILER

Item	Parts No.	Description	I/C	Qty	N/O	Opt. 1	Opt. 2	Note
001	266130-9	TAPPING SCREW BIND PT 3X16		1				
002	267071-2	FLAT WASHER 4		1				
003	187098-5	HOUSING SET		1				
D10		INC. 95						
004	643843-3	TERMINAL		1				
005	346317-0	HOOK		1				
006	251314-2	+ SCREW M4X12		1				
007	266130-9	TAPPING SCREW BIND PT 3X16		4				
008	419450-2	FRONT COVER		1				
009	266130-9	TAPPING SCREW BIND PT 3X16		1				
010	345704-0	UPPER PLATE		1				
011	345703-2	RAIL		1				
012	922112-8	HEX. SOCKET HEAD BOLT M4X10		2				
013	324683-5	GUIDE BOLT		1				
014	253762-1	FLAT WASHER 8		1				
015	421962-3	SPRING HOLDER		1				
016	233472-6	COMPRESSION SPRING 17		1				
017	421962-3	SPRING HOLDER		1				
018	345701-6	HAMMER		1				
019	421956-8	CUSHION		1				
020	253804-1	FLAT WASHER 6		1				
021	266130-9	TAPPING SCREW BIND PT 3X16		1				
022	318025-3	HOLDER		1				
023	931302-2	HEX. NUT M6		1				
024	345702-4	DRIVER		1				
025	268157-5	PIN 4		1				
026	168430-2	DRIVER GUIDE COVER		1				
027	922102-1	HEX. SOCKET HEAD BOLT M4X6		2				
028	135372-5	MAGAZINE ASSEMBLY		1				
D10		INC. 29-44,48-55,100,101						
029	922122-5	HEX.SOCKET HEAD BOLT M4X14		1				
030	310173-4	DRIVER GUIDE		1				
031	951054-9	SPRING PIN 3-10		2				
032	345699-7	PUSHER		1				
033	310176-8	STOPPER		1				
034	233018-8	COMPRESSION SPRING 3		1				
035	232229-2	LEAF SPRING		1				
036	346239-4	NAIL STOPPER		3				
037	233476-8	COMPRESSION SPRING 4		3				
038	318024-5	MAGAZINE		1				
039	922102-1	HEX. SOCKET HEAD BOLT M4X6		1				
040	345696-3	SPACER		1				
041	951001-0	SPRING PIN 2-8		1				
042	318023-7	LOWER RAIL		1				
043	452877-3	NAIL GUIDE HOLDER		1				
044	140412-6	UPPER RAIL COMPLETE		1				
D10		INC. 45						
045	813728-9	SAFETY INSTRUCTION LABEL		1				

# Model No. DPT351 CORDLESS PIN NAILER

Item	Parts No.	Description	I/C	Qty	N/O	Opt. 1	Opt. 2	Note
048	911113-1	PAN HEAD SCREW M4X10		1				
049	419443-9	SHOULDER PIN 5-7		1				
050	233470-0	COMPRESSION SPRING 5		1				
051	266177-3	HEX. SOCKET HEAD BOLT M3X10		2				
052	419446-3	LEVER		1				
053	233117-6	COMPRESSION SPRING 6		1				
054	951066-2	SPRING PIN 3-18		1				
055	419444-7	SLIDE DOOR CAP		1				
056	268158-3	PIN 5		1				
057	265040-7	+ PAN HEAD SCREW M3X4		1				
058	345705-8	LOCK ARM		1				
059	629910-8	DC MOTOR		1				
060	267053-4	FLAT WASHER 12		1				
061	227166-3	INTERNAL GEAR 69		1				
062	232230-7	LEAF SPRING		2				
063	221961-3	SPUR GEAR 27		3				
064	154973-0	SPUR GEAR 7 COMPLETE		1				
065	345773-1	ANTI BACK PLATE		1				
066	154972-2	SPUR GEAR 55 COMPLETE		1				
067	214060-8	PLANE BEARING 10		1				
068	620073-3	LED CIRCUIT		1				
069	419452-8	LIGHT SWITCH ARM		1				
070	233032-4	COMPRESSION SPRING 2		1				
071	651891-8	SWITCH V-15-3A6		2				
072	256299-7	PIN 3		1				
073	419453-6	LINK PLATE		1				
074	231693-4	TORSION SPRING 4		1				
075	419454-4	SAFETY TRIGGER		1				
076	256299-7	PIN 3		1				
077	188168-3	TRIGGER SET		1				
D10		INC. 78-83						
078	419451-0	TRIGGER		1				
079	256771-9	PIN 2.5		1				
080	257926-9	STOP RING E-2.0		2				
081	345707-4	SWING ARM		1				
082	231694-2	TORSION SPRING 3		1				
083	231695-0	TORSION SPRING 3		1				
084	233360-7	COMPRESSION SPRING 4		1				
085	256176-3	PIN 2.5		1				
086	256176-3	PIN 2.5		1				
087	345706-6	GUIDE PLATE		1				
088	231692-6	TORSION SPRING 4		1				
089	168489-9	CAM BLOCK		1				
090	233188-3	COMPRESSION SPRING 2.4		1				
091	951001-0	SPRING PIN 2-8		1				
092	324923-1	PUSH PIN		1				
093	345708-2	SWITCH ARM		1				
094	256176-3	PIN 2.5		1				

# Model No. DPT351 CORDLESS PIN NAILER

Item	Parts No.	Description	I/C	Qty	N/O	Opt. 1	Opt. 2	Note
095	187098-5	HOUSING SET		1				
D10		INC. 3						
096	815W07-9	DPT351 NAME PLATE		1				
097	911163-6	PAN HEAD SCREW M4X35		1				
098	266130-9	TAPPING SCREW BIND PT 3X16		8				
099	911123-8	PAN HEAD SCREW M4X14		2				
100	233459-8	COMPRESSION SPRING 3		1				
101	951054-9	SPRING PIN 3-10		1				
A01	195246-2	SAFETY GOGGLE		1				
A02	419525-7	NOSE ADAPTER		1				
A03	783201-2	HEX. WRENCH 3		1				
A04F	141932-3	PLASTIC CASE COMPLETE		1				
C10	324667-3	SHAFT		1				
C20	413098-2	PLATE		4				
C30	417724-5	LATCH		2				
C40	419215-2	PLASTIC CASE LID		1				
C50	419216-0	HANDLE		1				
A04G	821550-0	CONNECTOR PLASTIC CASE (TYPE2)		1				
C10	453974-8	LATCH		4				
A04H	821550-0	CONNECTOR PLASTIC CASE (TYPE2)		1				
C10	453974-8	LATCH		4				
A04I	821550-0	CONNECTOR PLASTIC CASE (TYPE2)		1				
C10	453974-8	LATCH		4				
A05F	804J82-2	DPT351RFE PLASTIC CASE LABEL		1				
A05G	837640-9	INNER TRAY		1				
A05H	837640-9	INNER TRAY		1				
A05I	837640-9	INNER TRAY		1				
A06F	***DC18RC	DC18RC FAST CHARGER		1				
A06G	***DC18RC	DC18RC FAST CHARGER		1				
A06I	***DC18RC	DC18RC FAST CHARGER		1				
A07F	194204-5	BATTERY BL1830 SET		2	*			
A07G	194204-5	BATTERY BL1830 SET		2	*			
A07-1F	194204-5	BATTERY BL1830 SET	O	2				
A07-1G	194204-5	BATTERY BL1830 SET	O	2				
A07-1I	196399-0	BATTERY BL1840 SET		2				
A08F	450128-8	BATTERY COVER		1				
A08G	450128-8	BATTERY COVER		1				
A08I	450128-8	BATTERY COVER		1				
A09G	804J76-7	DPT351RFJ INDICATION LABEL		1				
A09H	804J77-5	DPT351ZJ INDICATION LABEL		1				
A09I	804J85-6	DPT351RMJ INDICATION LABEL		1				
A10G	804J79-1	DPT351RFJ PLASTIC CASE LABEL		2				
A10H	804J80-6	DPT351ZJ PLASTIC CASE LABEL		2				
A10I	804J86-4	DPT351RMJ PLASTIC CASE LABEL		2				