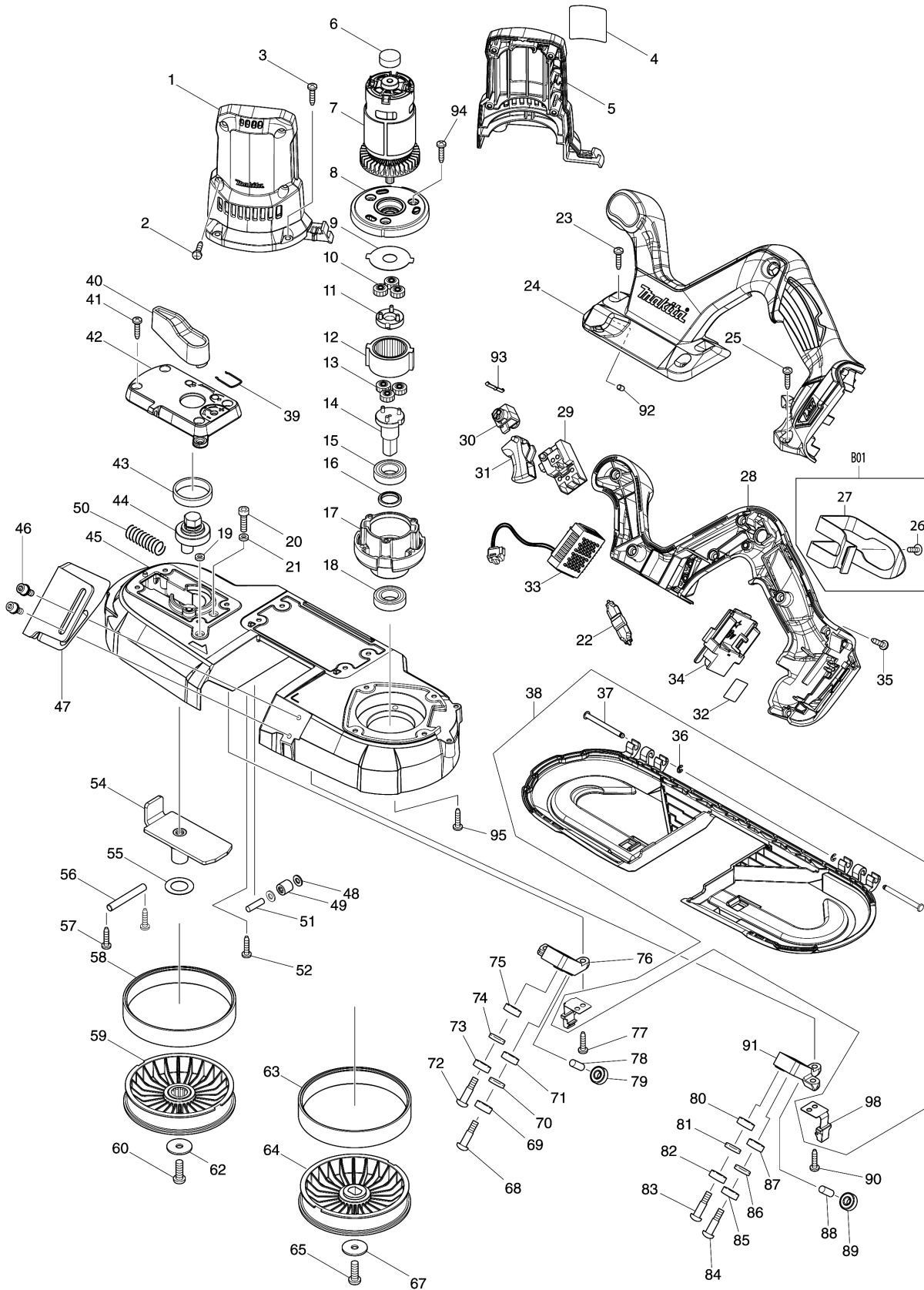


Model No.DPB182 CORDLESS PORTABLE BAND SAW





Model No.DPB182 CORDLESS PORTBABLE BAND SAW

Item	Parts No.	Description	I/C	Qty	New/Old	Opt. 1	Opt. 2	Note
001	187711-5	MOTOR HOUSING SET		1	*			
D10		INC. 5			*			
001-1	187711-5	MOTOR HOUSING SET	>	1				
D10		INC. 5						
002	266326-2	TAPPING SCREW 4X18		4				
003	266034-5	TAPPING SCREW CT 4X16		4				
004	855M88-1	DPB182 NAME PLATE		1	*			
004-1	855M88-1	DPB182 NAME PLATE	<	1				
005	187711-5	MOTOR HOUSING SET		1	*			
D10		INC. 1			*			
005-1	187711-5	MOTOR HOUSING SET	>	1				
D10		INC. 1						
006	421940-3	CAP		1				
007	629400-1	DC MOTOR		1				
008	454650-7	GEAR HOUSING COVER		1				
009	267855-8	LOCK WASHER		1				
010	227331-4	SPUR GEAR 14		3				
011	144386-3	SPUR GEAR 7 COMPLETE		1				
012	227332-2	INTERNAL GEAR 36		1				
013	226900-8	SPUR GEAR 14		3				
014	140J06-7	SPINDLE COMPLETE		1				
015	211242-3	BALL BEARING 6902ZZ		1				
016	257348-3	RING 15		1				
017	319793-1	GEAR HOUSING		1				
018	211242-3	BALL BEARING 6902ZZ		1				
019	262130-7	URETHANE RING 4		1				
020	265382-9	HEX. SOCKET HEAD BOLT M5X20		1				
021	262130-7	URETHANE RING 4		1				
023	266034-5	TAPPING SCREW CT 4X16		4				
024	187763-6	HANDLE SET		1				
C10	252126-6	HEX. LOCK NUT M4-7		2				
C20	263005-3	RUBBER PIN 6		2				
D10		INC. 28						
025	266034-5	TAPPING SCREW CT 4X16		2				
028	187763-6	HANDLE SET		1				
C10	252126-6	HEX. LOCK NUT M4-7		2				
C20	263005-3	RUBBER PIN 6		2				
D10		INC. 24						
029	650705-8	SWITCH TG73BDS-1		1				
030	419504-5	LOCK OFF BUTTON		1				
031	454651-5	SWITCH LEVER		1				
032	855M95-4	DPB182 SERIAL NO. LABEL		1				

Please order the parts with part number.

Print Date 27/3/2020

Model No.DPB182 CORDLESS PORTBABLE BAND SAW

Item	Parts No.	Description	I/C	Qty	New/Old	Opt. 1	Opt. 2	Note
033	632L42-4	CONTROLLER UNIT		1				
C10	654208-4	RECEPTACLE		1				
C20	654069-2	RECEPTACLE		1				
034	643874-2	TERMINAL		1				
035	266326-2	TAPPING SCREW 4X18		7				
036	961017-7	STOP RING E-3		2				
037	256689-4	PIN 4		2				
038	197975-3	WHEEL COVER SET		1				
D10		INC. 36,37,98						
039	231955-0	RING SPRING 12		1				
040	272230-5	LEVER 54		1				
041	266034-5	TAPPING SCREW CT 4X16		4				
042	459084-9	LEVER HOLDER		1				
043	214408-4	PLANE BEARING 30		1				
044	326351-6	LEVER SHAFT		1				
045	140J09-1	FRAME COMPLETE		1				
C10	424736-1	SPONGE		1				
C20	263005-3	RUBBER PIN 6		1				
046	922218-2	H.S.H.BOLT M5X14 WITH WR		2				
047	346728-9	STOPPER PLATE		1				
048	267010-2	FLAT WASHER 5		2				
049	212199-1	NEEDLE BEARING 510		1				
050	234313-9	COMPRESSION SPRING 9		1				
051	256155-1	PIN 5		1				
052	266034-5	TAPPING SCREW CT 4X16		1				
054	162564-3	SLIDE PLATE		1				
055	267164-5	FLAT WASHER 15		1				
056	268241-6	PIN 6		1				
057	266034-5	TAPPING SCREW CT 4X16		2				
058	424589-8	RUBBER TIRE		1				
059	140J07-5	WHEEL COMPLETE A		1				
060	265484-1	HEX. SOCKET HEAD BOLT M6X17		1				
062	267173-4	FLAT WASHER 6		1				
063	424589-8	RUBBER TIRE		1				
064	459087-3	WHEEL B		1				
065	265484-1	HEX. SOCKET HEAD BOLT M6X17		1				
067	267173-4	FLAT WASHER 6		1				
068	251337-0	+ PAN HEAD SCREW M5		1				
069	210187-2	BALL BEARING 696ZZ		1				
070	941152-7	FLAT WASHER 6		1				
071	210187-2	BALL BEARING 696ZZ		1				

Model No.DPB182 CORDLESS PORTBABLE BAND SAW

Item	Parts No.	Description	I/C	Qty	New/Old	Opt. 1	Opt. 2	Note
072	251337-0	+ PAN HEAD SCREW M5		1				
073	210187-2	BALL BEARING 696ZZ		1				
074	941152-7	FLAT WASHER 6		1				
075	210187-2	BALL BEARING 696ZZ		1				
076	319400-6	UPPER HOLDER 42		1				
077	266034-5	TAPPING SCREW CT 4X16		2				
078	256033-5	PIN 6		1				
079	210187-2	BALL BEARING 696ZZ		1				
080	210187-2	BALL BEARING 696ZZ		1				
081	941152-7	FLAT WASHER 6		1				
082	210187-2	BALL BEARING 696ZZ		1				
083	251337-0	+ PAN HEAD SCREW M5		1				
084	251337-0	+ PAN HEAD SCREW M5		1				
085	210187-2	BALL BEARING 696ZZ		1				
086	941152-7	FLAT WASHER 6		1				
087	210187-2	BALL BEARING 696ZZ		1				
088	256033-5	PIN 6		1				
089	210187-2	BALL BEARING 696ZZ		1				
090	266034-5	TAPPING SCREW CT 4X16		2				
091	319074-3	LOWER HOLDER 42		1				
092	263002-9	RUBBER PIN 4		1				
093	232201-4	LEAF SPRING		1				
094	266034-5	TAPPING SCREW CT 4X16		3				
095	266034-5	TAPPING SCREW CT 4X16		3				
098	161427-0	HOOK		2				
A01	783202-0	HEX. WRENCH 4		1				
A02	B-40559	PORTABLE BANDSAW BLADE 18TPI		1				

Please order the parts with part number.

Print Date 27/3/2020