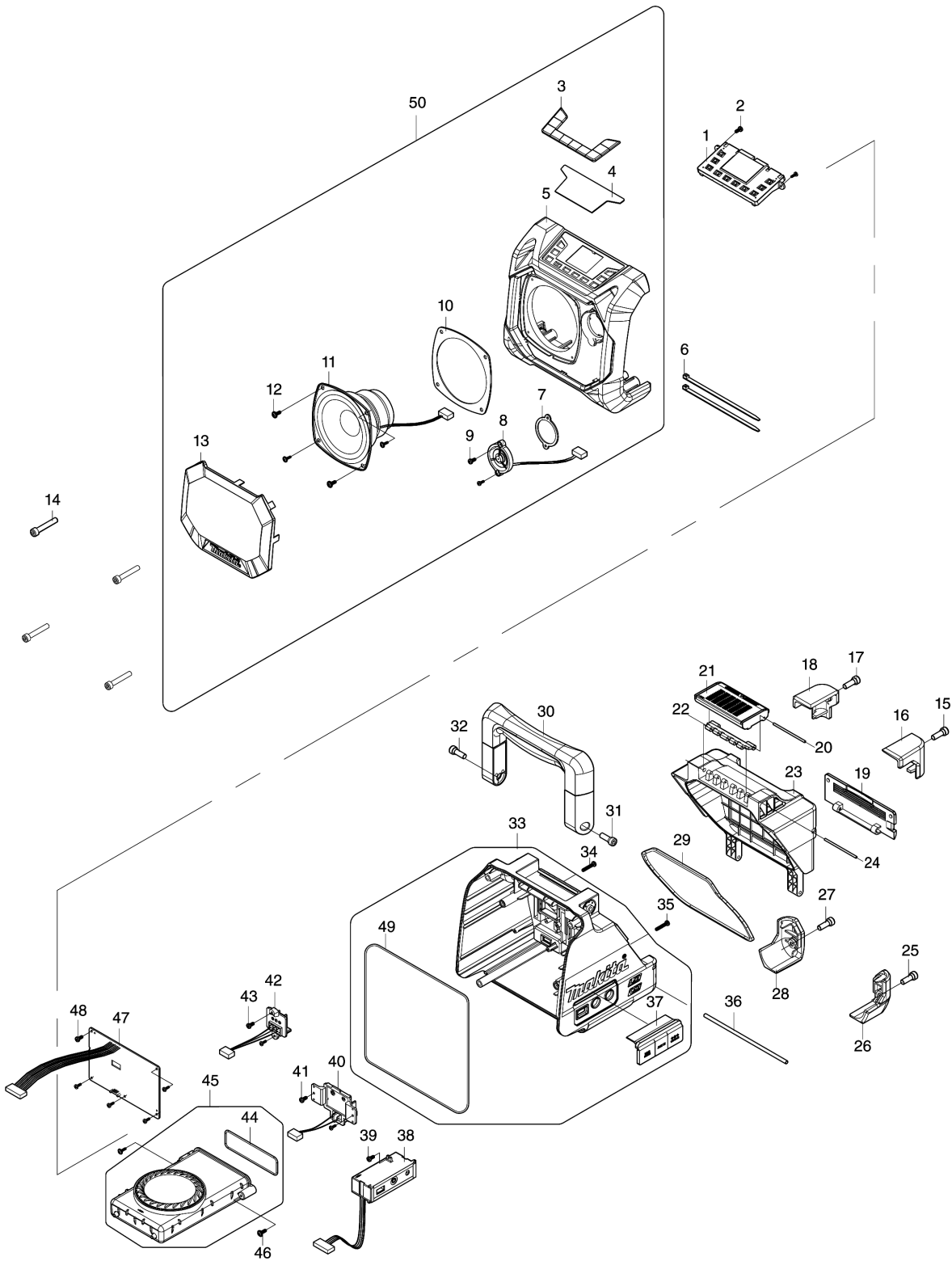


Model No.DMR203B CORDLESS JOB SITE SPEAKER



Model No.DMR203B CORDLESS JOB SITE SPEAKER

| Item | Parts No. | Description | I/C | Qty | New/Old | Opt. 1 | Opt. 2 | Note |
|------|------------|-----------------------------------|-----|-----|---------|--------|--------|------|
| 001 | SE00000796 | PCB C ASS'Y | | 1 | | | | |
| 002 | SE00000521 | SCREW PTB 3X8(ZK) 29S16308001 | | 2 | | | | |
| 003 | SE00000797 | RUBBER KEY | | 1 | | | | |
| 004 | SE00000798 | DISPLAY PLATE | | 1 | | | | |
| 005 | SE00000800 | FRONT CABINET(BLUE) | | 1 | | | | |
| 006 | SE00000195 | W/TIES 100MM | | 2 | | | | |
| 007 | SE00000801 | SPEAKER PACKING B | | 1 | | | | |
| 008 | SE00000802 | TWEETER SPEAKER ASS'Y | | 1 | | | | |
| 009 | SE00000521 | SCREW PTB 3X8(ZK) 29S16308001 | | 2 | | | | |
| 010 | SE00000803 | SPEAKER PACKING A | | 1 | | | | |
| 011 | SE00000804 | MAIN SPEAKER ASS'Y | | 1 | | | | |
| 012 | SE00000557 | SCREW PTPW 3X10(ZK) 29S1531000 | | 4 | | | | |
| 013 | SE00000805 | SPEAKER GRILL ASS'Y | | 1 | | | | |
| 014 | SE00000530 | SCREW PTHE 6X37(CR) 29S1793701 | | 4 | | | | |
| 015 | SE09176166 | HEX SCREW M6X16 | | 1 | | | | |
| 016 | SE00000531 | BATTERY BUMPER R 3163B30000010 | | 1 | | | | |
| 017 | SE09176166 | HEX SCREW M6X16 | | 1 | | | | |
| 018 | SE00000532 | BATTERY BUMPER L 3162B30000010 | | 1 | | | | |
| 019 | SE00000534 | PHONE COVER ASS'Y 011B3A5 | | 1 | | | | |
| 020 | SE00000533 | PIN D2X88 2100B300100 | | 1 | | | | |
| 021 | SE00000560 | LOCKER COVER 3121B30000020 | | 1 | | | | |
| 022 | SE00000561 | LOCKER HINGE 3300B30000020 | | 1 | | | | |
| 023 | SE00000538 | BATTERY COVER (BLK)3120B300020 | | 1 | | | | |
| 024 | SE00000539 | PIN D2X77 2100B300200 | | 1 | | | | |
| 025 | SE09176166 | HEX SCREW M6X16 | | 1 | | | | |
| 026 | SE00000541 | REAR BUMPER R 3161B30000010 | | 1 | | | | |
| 027 | SE09176166 | HEX SCREW M6X16 | | 1 | | | | |
| 028 | SE00000540 | REAR BUMPER L 3160B30000010 | | 1 | | | | |
| 029 | SE00000542 | BATTERY PACKING 2400B300200 | | 1 | | | | |
| 030 | SE00000544 | HANDLE ASS'Y-BLK 01HB3A2 | | 1 | | | | |
| 031 | SE09176166 | HEX SCREW M6X16 | | 1 | | | | |
| 032 | SE09176166 | HEX SCREW M6X16 | | 1 | | | | |
| 033 | SE00000809 | REAR CABINET ASS'Y(BLACK) | | 1 | | | | |
| D10 | | INC. 37,49 | | | | | | |
| 034 | SE00000548 | SCREW PTB 3X20(ZK) 29S09990047 | | 1 | | | | |
| 035 | SE00000548 | SCREW PTB 3X20(ZK) 29S09990047 | | 1 | | | | |

Please order the parts with part number.

Print Date 5/11/2019

Model No.DMR203B CORDLESS JOB SITE SPEAKER

| Item | Parts No. | Description | I/C | Qty | New/Old | Opt. 1 | Opt. 2 | Note |
|------|------------|-----------------------------------|-----|-----|---------|--------|--------|------|
| 036 | SE00000549 | BATTERY COVER FIXER PIN 2100b3 | | 1 | | | | |
| 037 | SE00000810 | JACK RUBBER COVER | | 1 | | | | |
| 038 | SE00000655 | JACK HOLDER ASS'Y-BLK 011 AA4 | | 1 | | | | |
| 039 | SE00000521 | SCREW PTB 3X8(ZK) 29S16308001 | | 1 | | | | |
| 040 | SE00000652 | TERMINAL D ASSY 011 AA2 | | 1 | | | | |
| 041 | SE00000521 | SCREW PTB 3X8(ZK) 29S16308001 | | 2 | | | | |
| 042 | SE00000651 | TERMINAL 10.8V ASSY 011 AA1 | | 1 | | | | |
| 043 | SE00000521 | SCREW PTB 3X8(ZK) 29S16308001 | | 2 | | | | |
| 044 | SE00000556 | PHONE CASE PACKING 2400B300400 | | 1 | | | | |
| 045 | SE00000555 | MOBILE-PHONE-CASE ASS'Y 011B3A | | 1 | | | | |
| D10 | | INC. 44 | | | | | | |
| 046 | SE00000557 | SCREW PTPW 3X10(ZK) 29S1531000 | | 2 | | | | |
| 047 | SE00000812 | PCB A ASS'Y | | 1 | | | | |
| 048 | SE00000521 | SCREW PTB 3X8(ZK) 29S16308001 | | 5 | | | | |
| 049 | SE024PC040 | PACKING | | 1 | | | | |
| 050 | SE00000807 | FRONT CABINET ASS'Y(BLACK) | | 1 | | | | |
| D10 | | INC. 3-5,7-13 | | | | | | |
| A01 | SE00000792 | AC ADAPTER (CE) | | 1 | | | | |

Please order the parts with part number.

Print Date 5/11/2019