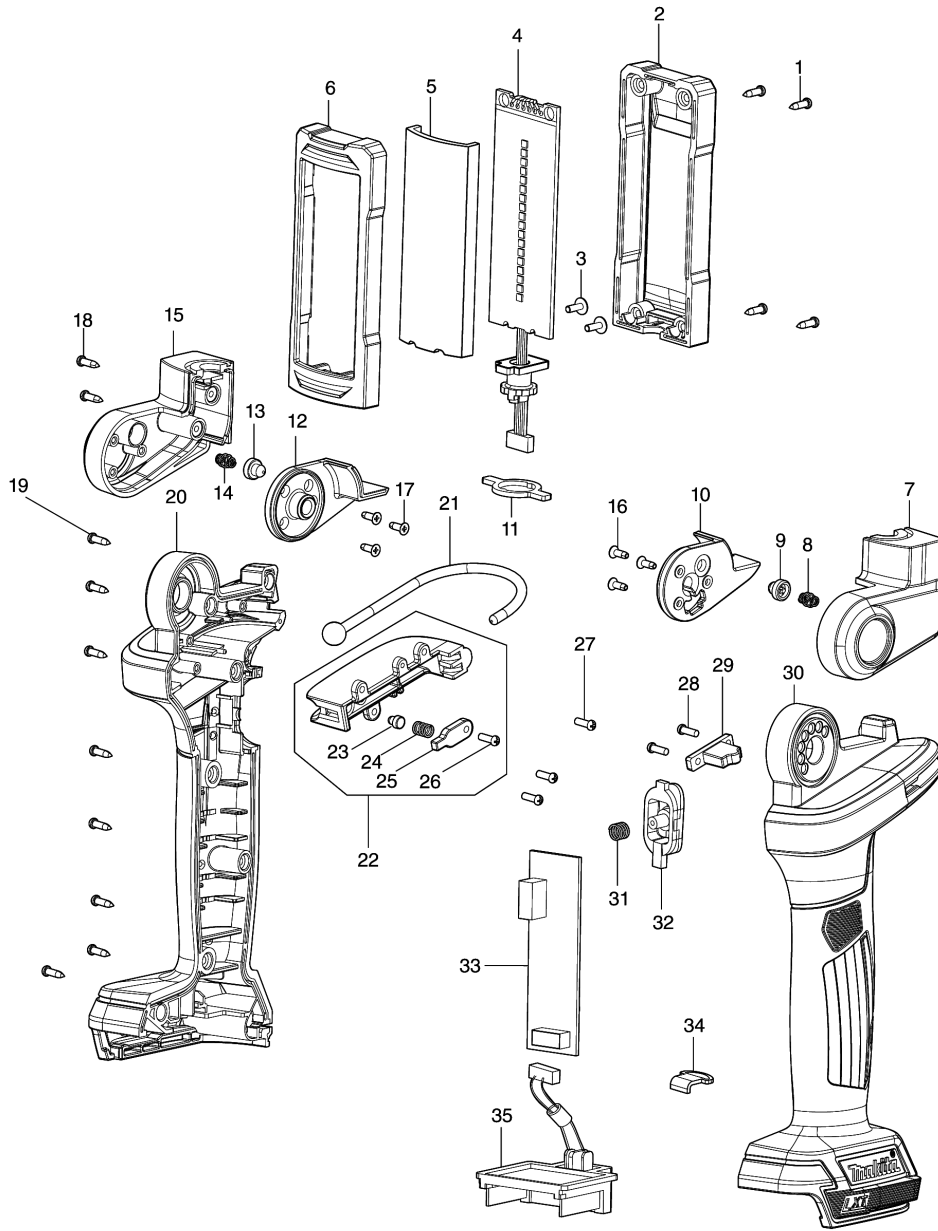


Model No.DML816 CORDLESS FLASHLIGHT





Model No.DML816 CORDLESS FLASHLIGHT

Item	Parts No.	Description	I/C	Qty	New/Old	Opt. 1	Opt. 2	Note
001	GM00001269	SCREW 3X12PB(B0130120202)		4				
002	GM00002324	REAR CASE		1				
003	GM00001267	SCREW 2.6X8PWB(B0126080006)		2				
004	GM00002349	LED ASSY		1				
005	GM00002322	LENS		1				
006	GM00002321	FRONT CASE		1				
007	GM00002325	LEFT ROTATOR		1				
008	GM00001270	SPRING (B1214801020)		1				
009	GM00001279	SPRING LID (C1020801001)		1				
010	GM00002326	LEFT ROTATOR BRACKET		1				
011	GM00001282	FIX PLATE (C3020801001)		1				
012	GM00002327	RIGHT ROTATOR BRACKET		1				
013	GM00001279	SPRING LID (C1020801001)		1				
014	GM00001270	SPRING (B1214801020)		1				
015	GM00002328	RIGHT ROTATOR		1				
016	GM00001268	SCREW 2.6X10KA(B0126100121)		3				
017	GM00001268	SCREW 2.6X10KA(B0126100121)		3				
018	GM00001269	SCREW 3X12PB(B0130120202)		2				
019	GM00001269	SCREW 3X12PB(B0130120202)		8				
020	GM00002336	HOUSING ASSY		1				
D10		INC. 30						
021	GM00002331	HANGING HOOK ASSY		1				
022	GM00002330	HOOK COVER ASSY		1				
D10		INC. 23-26						
023	GM00002339	LOCKING SHAFT		1				
024	GM00002340	SPRING		1				
025	GM00002341	COVER		1				
026	GM00001322	SCREW 2.6X8 PB		1				
027	GM00001322	SCREW 2.6X8 PB		3				
028	GM00001322	SCREW 2.6X8 PB		2				
029	GM00002332	HOOK SUPPORT		1				
030	GM00002336	HOUSING ASSY		1				
D10		INC. 20						
031	GM00002249	SWITCH SPRING		1				
032	GM00002333	SWITCH ASSY		1				
033	GM00002337	MAIN PCBA ASSY		1				
034	GM00002231	STRAP HOOK		1				
035	GM00002338	TERMINAL ASSY		1				
A01	GM00001288	SHOULDER HOOK SET G0180100100		1				

Model No.DML816 CORDLESS FLASHLIGHT

Item	Parts No.	Description	I/C	Qty	New/Old	Opt. 1	Opt. 2	Note
A02B	GM00001326	LAMP SHADE		1				

Please order the parts with part number.

Print Date 6/10/2021