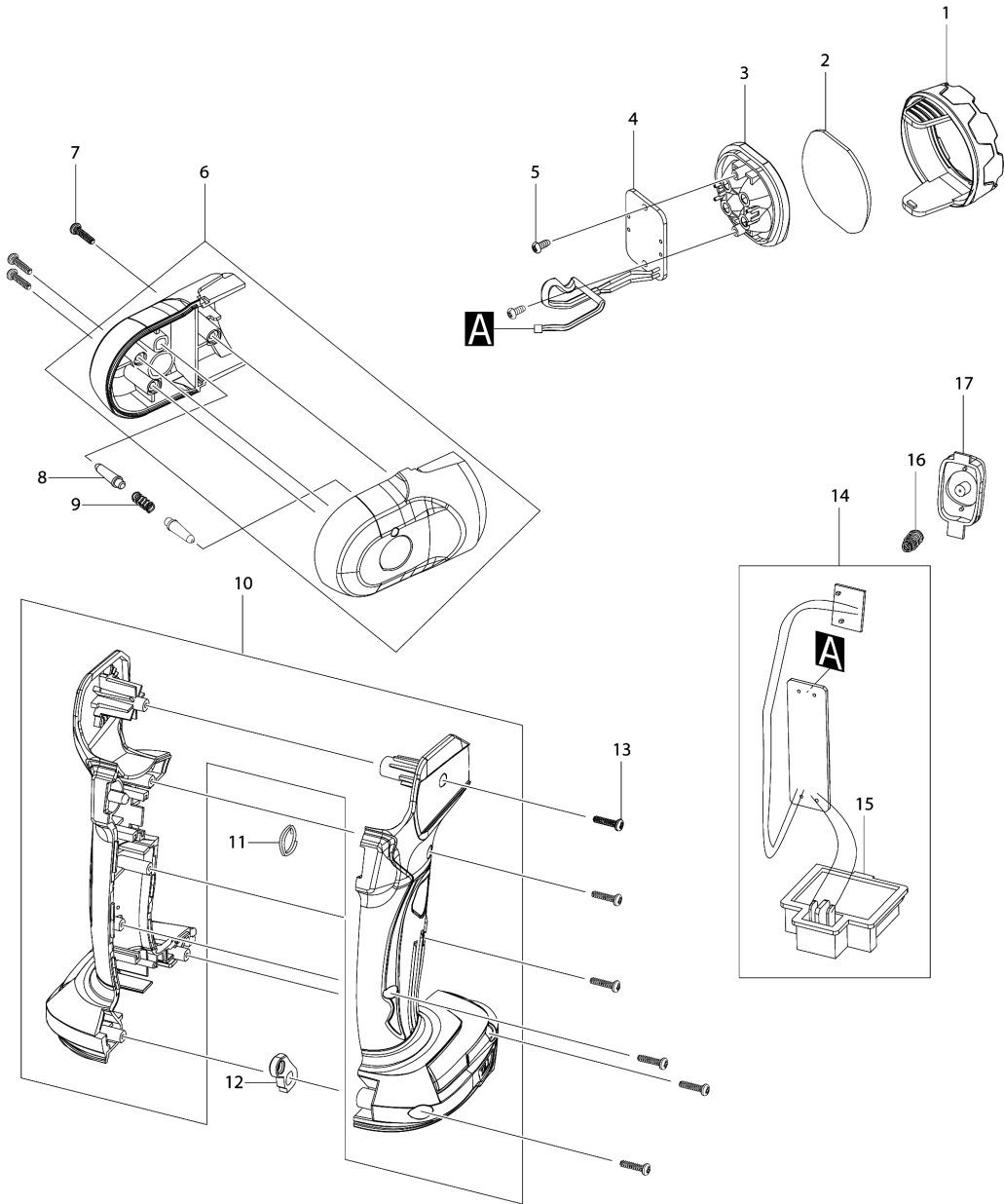


Model No.DML815 CORDLESS FLASHLIGHT



Model No.DML815 CORDLESS FLASHLIGHT

Item	Parts No.	Description	I/C	Qty	New/Old	Opt. 1	Opt. 2	Note
001	GM00001299	BEZEL(C1720802002)		1				
002	GM00001298	LENS(C1720802001)		1				
003	GM00002074	REFLECTOR		1				
004	GM00002075	LED PCBA ASSY		1	*			
004-1	GM00002243	LED PCBA ASSY (CE)	X	1				
005	GM00001332	SCREW 3 X 8 PB B0130080702		2				
006	GM00002076	HEAD HOUSING ASSY		1				
007	GM00001333	SCREW 3 X 12PB B0130120702		3				
008	GM00001295	LOCKING SHAFT(C4120802001)		2				
009	GM00001294	COMPRESSION SPRING B1303802922		1				
010	GM00001303	HOUSING L/R(G0180200400)		1				
011	GM00001292	RING (B3103184009)		1				
012	GM00001290	HOOK PLATE(B2804802921)		1				
013	GM00001333	SCREW 3 X 12PB B0130120702		6				
014	GM00002078	MAIN PCBA ASSY		1				
D10		INC. 15						
015	GM00001117	BATTERY HOLDER C2010239007		1				
016	GM00002077	SPRING		1				
017	GM00001291	SWITCH COVER(G0180200200)		1				
A01	GM00001289	HOOK BAND SET(G0180200100)		1				

Please order the parts with part number.

Print Date 26/3/2020

