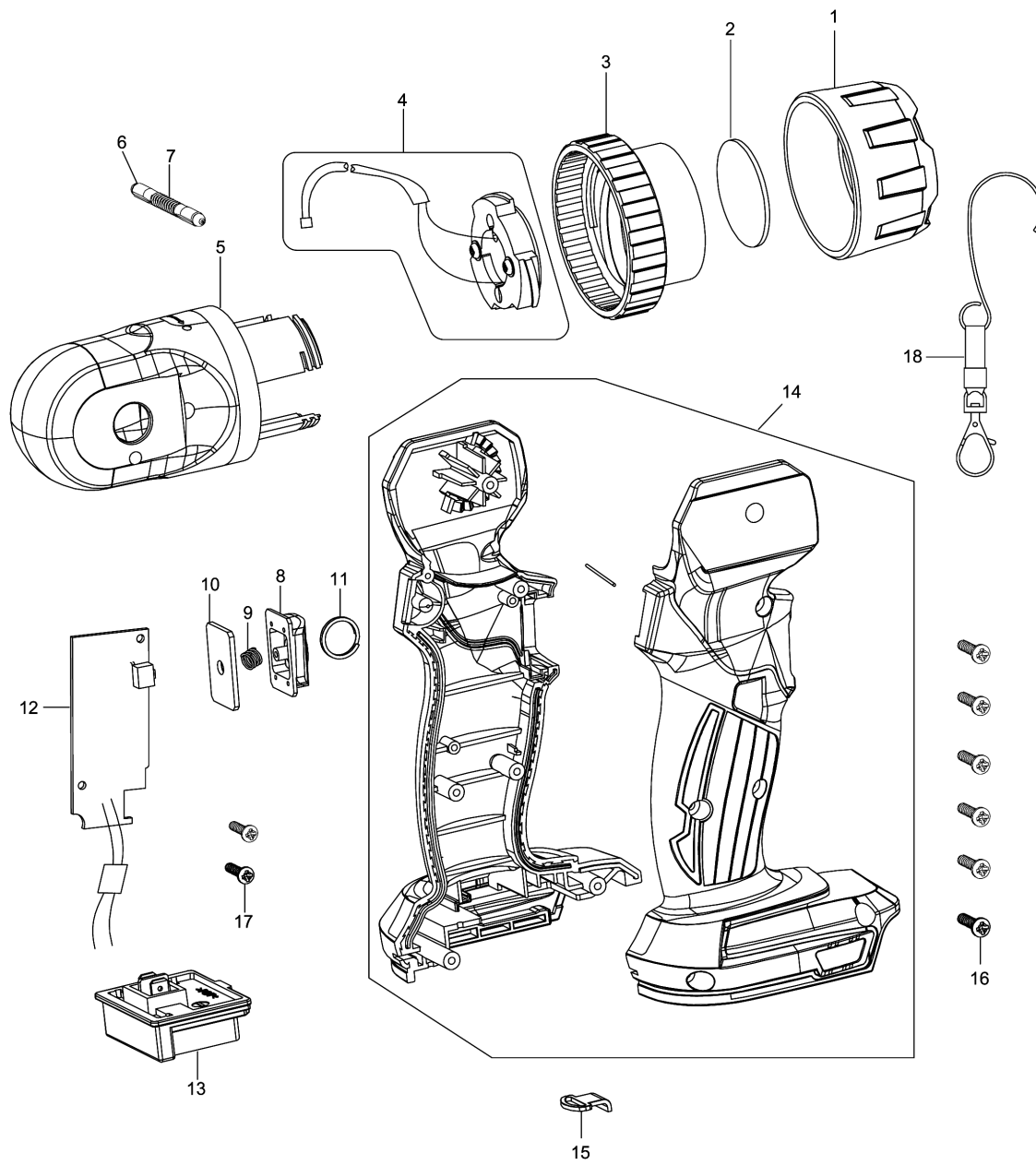


# Model No.DML808 CORDLESS LED FLASH LIGHT





## Model No.DML808 CORDLESS LED FLASH LIGHT

| Item | Parts No.  | Description                     | I/C | Qty | New/Old | Opt. 1 | Opt. 2 | Note |
|------|------------|---------------------------------|-----|-----|---------|--------|--------|------|
| 001  | GM00001964 | PLASTIC BEZEL                   |     | 1   |         |        |        |      |
| 002  | GM00001963 | SEMI-CONVEX LENS                |     | 1   |         |        |        |      |
| 003  | GM00001962 | METAL FOCUSING RING             |     | 1   |         |        |        |      |
| 004  | GM00001961 | LED PCBA ASSY                   |     | 1   |         |        |        |      |
| 005  | GM00001960 | AL HEAD BODY ASSY               |     | 1   |         |        |        |      |
| 006  | GM00001704 | KNOCK SHAFT C4120105001         |     | 2   |         |        |        |      |
| 007  | GM00001958 | KNOCK SHAFT SPRING              |     | 1   |         |        |        |      |
| 008  | GM00001711 | SWITCH COVER C7420105002        |     | 1   |         |        |        |      |
| 009  | GM00001710 | SWITCH SPRING B1303105021       |     | 1   |         |        |        |      |
| 010  | GM00001709 | SW SPRING HOLDER<br>C0120105003 |     | 1   |         |        |        |      |
| 011  | SM00000190 | RING B3103184009                |     | 1   |         |        |        |      |
| 012  | GM00001957 | MAIN PCBA ASSY                  |     | 1   |         |        |        |      |
| 013  | GM00001457 | BATTERY HOLDER<br>ROS88070009   |     | 1   |         |        |        |      |
| 014  | GM00001956 | HOUSING L/R ASSY                |     | 1   |         |        |        |      |
| 015  | GM00001459 | METAL STRAP HOOK<br>B2808807021 |     | 1   |         |        |        |      |
| 016  | GM00001024 | SCREW 3X12 B0130120202          |     | 6   |         |        |        |      |
| 017  | GM00001395 | SCREW 2.6X8PB B0126081102       |     | 2   |         |        |        |      |
| 018  | GM00001289 | HOOK BAND<br>SET(G0180200100)   |     | 1   |         |        |        |      |

Please order the parts with part number.

Print Date 15/8/2019

