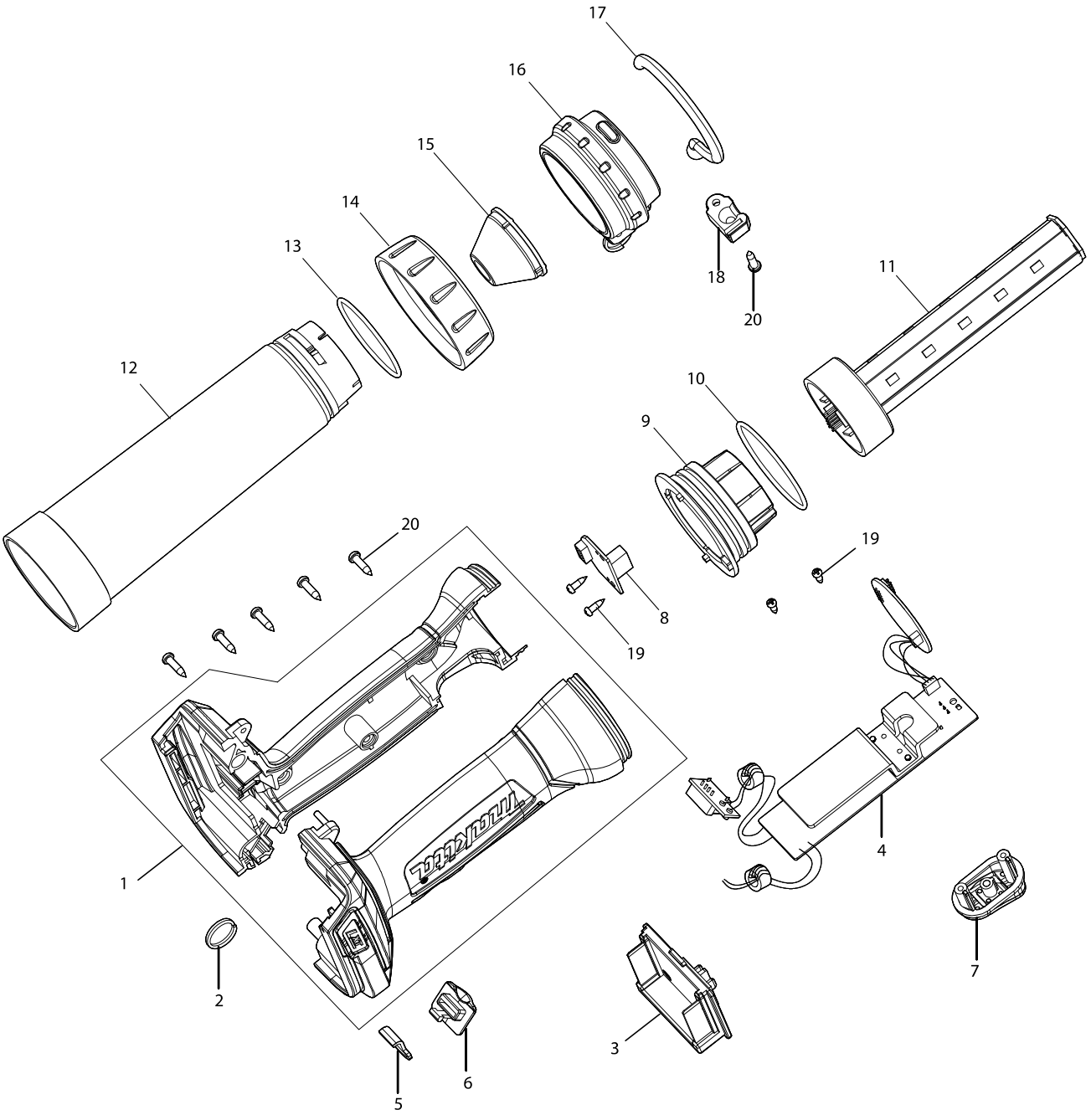


**Model No. DML807 RECHARGEABLE LED FLASHLIGHT**



**Model No. DML807 RECHARGEABLE LED FLASHLIGHT**

Item	Parts No.	Description	I/C	Qty	N/O	Opt. 1	Opt. 2	Note
001	GM00001456	HOUSING L/R ASSY ROS88070006		1	*			
001-1	GM00001669	HOUSING L/R ASSY ROS88070300	S	1				
002	SM00000190	RING B3103184009		1				
003	GM00001457	BATTERY HOLDER ROS88070009		1				
004	GM00001458	MAIN+USB PCBA ASSY ROS88070005		1	*			
004-1	GM00001670	MAIN+USB PCBA ASSY ROS88070301	S	1				
005	GM00001459	METAL STRAP HOOK B2808807021		1				
006	GM00001460	USB RUBBER COVER C9820807005		1				
007	GM00001461	SWITCH HOLDER ASSY ROS88070004		1				
008	GM00001462	FEMALE SOCKET PCBA ROS88070003		1				
009	GM00001463	LAMP HOLDER C1020807004		1				
010	GM00001464	O-RING (CAP) C9820807004		1				
011	GM00001465	LED LAMP TUBE ASSY ROS88070002		1				
012	GM00001466	DIFFUSING CAP ROS88070007		1				
013	GM00001467	O-RING C9820807003		1				
014	GM00001468	LOCK RING C0110184004		1				
015	GM00001469	REFLECTOR ROS88070008		1				
016	GM00001470	BEZEL ASSY ROS88070001		1				
017	GM00001471	HOOK ASSY ROS88070000		1				
018	GM00001472	HOOK BALL COVER C3020807002		1				
019	GM00001395	SCREW 2.6X8PB B0126081102		4				
020	GM00001024	SCREW 3X12 B0130120202		6				
021	GM00001671	USB SWITCH BUTTON C9020807001	S	1	*			
021-1	GM00001713	USB SWITCH BUTTON C9020807002	<	1				
022	GM00001672	HEAT TRANSFER PAD A3252040000	S	1				
023	GM00001673	USB SWITCH PCBA ROS88070302	S	1				