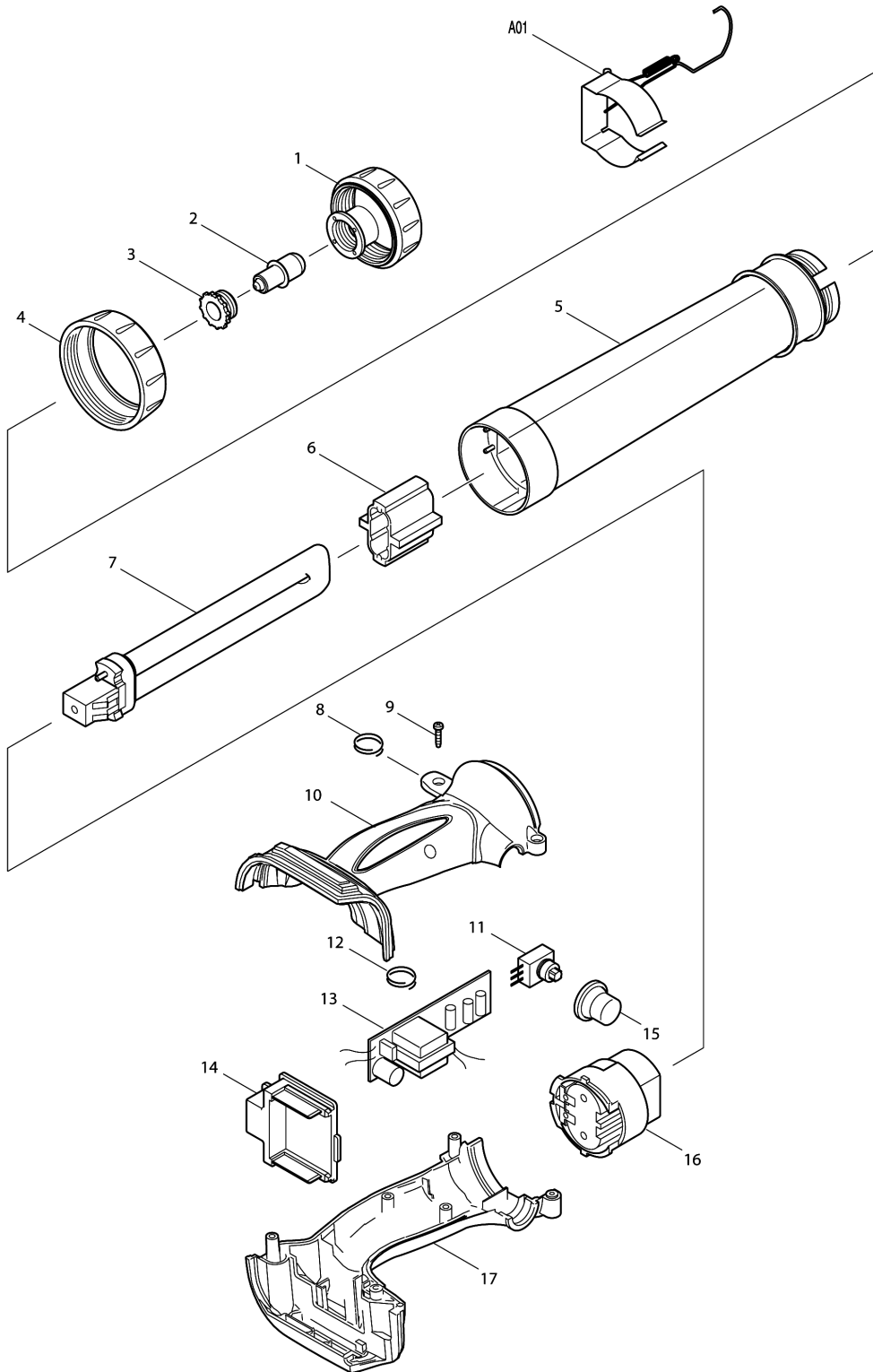


Model No.DML184 RECHARGEABLE JOB SITE LIGHT



Model No.DML184 RECHARGEABLE JOB SITE LIGHT

Item	Parts No.	Description	I/C	Qty	New/Old	Opt. 1	Opt. 2	Note
001	GM00001021	REFLECTOR		1				
002	B-07303	LIGHT BULB SET		1				
003	GM00001020	BULB HOLDER 31909184010		1				
004	GM00001019	LOCK RING 30110184004		1				
005	GM00001017	LAMP COVER		1				
006	GM00001023	ABSORBER 39011184003		1				
007	SM00000050	FLUORESCENT TUBE		1	*			
007-1	GM00001161	FLUORESCENT TUBE (G0118400113)	X	1				
008	SM00000190	RING B3103184009		1				
009	GM00001024	SCREW 3X12 B0130120202		6				
010	GM00001048	HOUSING SET G0118400203		1				
D10		INC. 17						
011	GM00001025	SWITCH 11401000303		1	*			
011-1	GM00001954	SWITCH	O	1				
012	SM00000190	RING B3103184009		1				
013	GM00001049	CIRCUIT BOARD G0318400201		1	*			
013-1	GM00001491	CIRCUIT BOARD	O	1				
014	GM00000530	BATTERY HOLDER C2010239007		1	*			
014-1	GM00001117	BATTERY HOLDER C2010239007	O	1				
015	GM00001022	SWITCH COVER 39010184005		1				
016	GM00001018	HOLDER		1	*			
016-1	GM00001953	HOLDER	O	1				
017	GM00001048	HOUSING SET G0118400203		1				
D10		INC. 10						
A01	GM00001027	METAL HOOK		1				
A02	GM00001028	SHOULDER HOOK SET		1				

Please order the parts with part number.

Print Date 8/9/2020