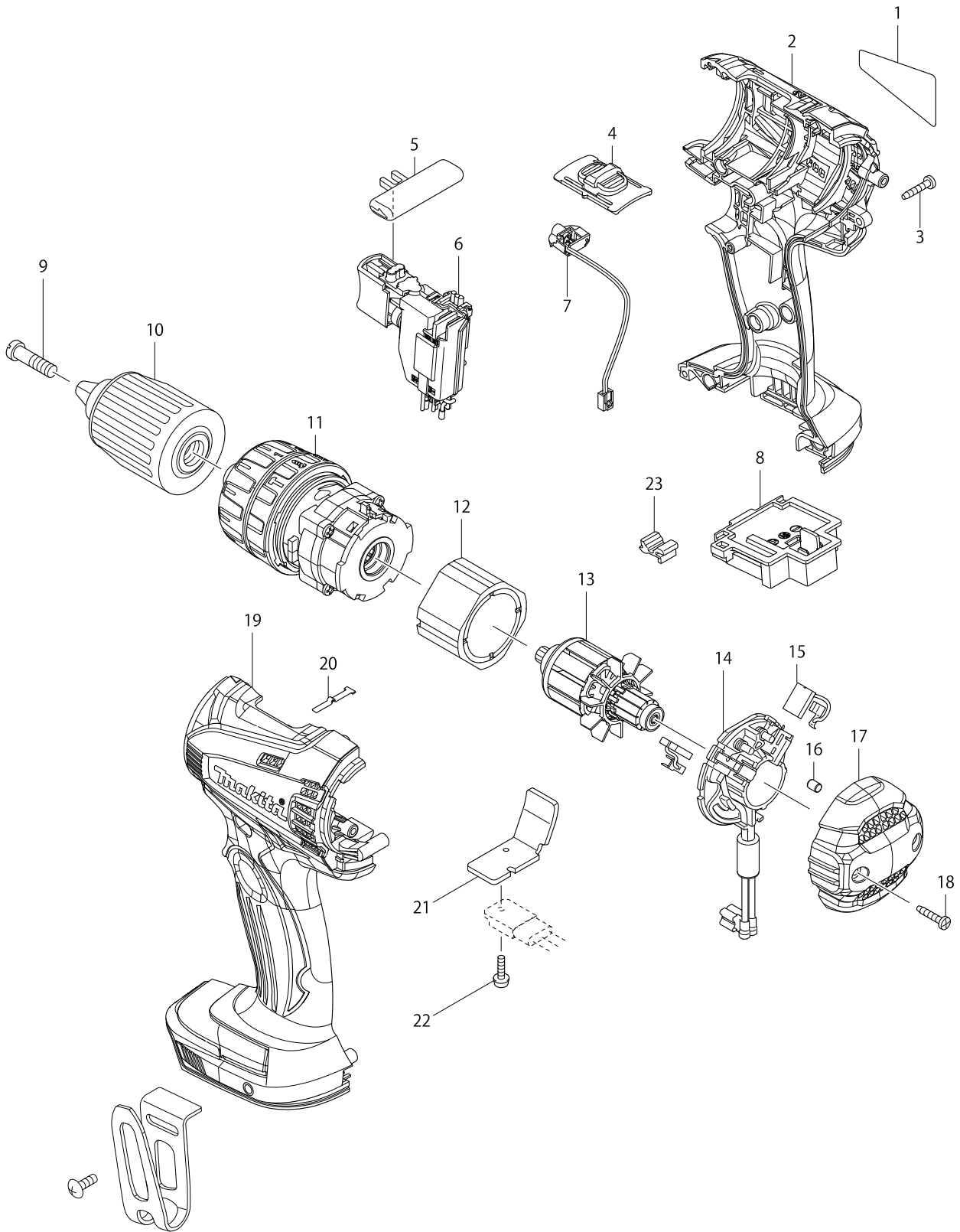


Model No. DHP446 CORDLESS HAMMER DRIVER DRILL



Model No. DHP446 CORDLESS HAMMER DRIVER DRILL

Item	Parts No.	Description	I/C	Qty	N/O	Opt. 1	Opt. 2	Note
001	815S38-4	DHP446 NAME PLATE		1				
002	187149-4	HOUSING SET		1				
C10	263005-3	RUBBER PIN 6		2				
D10		INC. 19						
003	266429-2	TAPPING SCREW 3X16		9				
004	126289-3	SPEED CHANGE LEVER ASSEMBLY		1				
C10	233438-6	COMPRESSION SPRING 4		2				
005	419250-0	F/R CHANGE LEVER		1				
006	650731-7	SWITCH C3HZ-1A-TLMS		1				
007	620012-3	LED CIRCUIT		1	*			
007-1	620388-8	LED CIRCUIT	O	1				
008	643866-1	TERMINAL		1				
009	251468-5	- FLAT HEAD SCREW M6X22		1				
010	763175-3	KEYLESS DRILL CHUCK 13		1				
011	126460-9	GEAR ASSEMBLY		1				
012	638425-4	YOKE UNIT		1				
013	619287-9	ARMATURE		1				
014	638845-2	BRUSH HOLDER COMPLETE		1				
C10	688161-2	LINE FILTER		1				
015	194427-5	CARBON BRUSH CB-440		1				
016	263032-0	RUBBER PIN 4		2				
017	452205-2	REAR COVER		1				
018	266429-2	TAPPING SCREW 3X16		2				
019	187149-4	HOUSING SET		1				
C10	263005-3	RUBBER PIN 6		2				
D10		INC. 2						
020	232182-2	LEAF SPRING		1				
021	689170-4	HEAT SINK		1				
022	911013-5	PAN HEAD SCREW M3X10		1				
023	424476-1	CUSHION		1				
A01	251314-2	+ SCREW M4X12		1				
A02	346317-0	HOOK		1				
A03	784637-8	+- BIT 2-45		1				
A04E	140354-4	PLASTIC CASE COMPLETE		1				
C10	419216-0	HANDLE		1				
C20	417724-5	LATCH		2				
C30	419268-1	PLASTIC CASE LID		1				
C40	419269-9	PLATE		5				
C50	324667-3	SHAFT		1				
A04G	821550-0	CONNECTOR PLASTIC CASE (TYPE2)		1				
C10	453974-8	LATCH		4				
A04H	821550-0	CONNECTOR PLASTIC CASE (TYPE2)		1				
C10	453974-8	LATCH		4				
A04I	821550-0	CONNECTOR PLASTIC CASE (TYPE2)		1				
C10	453974-8	LATCH		4				
A05E	450128-8	BATTERY COVER		1				
A05G	450128-8	BATTERY COVER		1				
A05I	450128-8	BATTERY COVER		1				

Model No. DHP446 CORDLESS HAMMER DRIVER DRILL

Item	Parts No.	Description	I/C	Qty	N/O	Opt. 1	Opt. 2	Note
A06E	***DC18RC	DC18RC FAST CHARGER		1				
A06G	***DC18RC	DC18RC FAST CHARGER		1				
A06I	***DC18RC	DC18RC FAST CHARGER		1				
A07E	194065-3	BATTERY BL1430 SET		2	*			
A07G	194065-3	BATTERY BL1430 SET		2	*			
A07I	196388-5	BATTERY BL1440 SET		2	*			
A07-1E	194065-3	BATTERY BL1430 SET	O	2				
A07-1G	194065-3	BATTERY BL1430 SET	O	2				
A07-1I	196388-5	BATTERY BL1440 SET	O	2				
A08E	804A00-6	DHP446RFE PLASTIC CASE LABEL		2				
A08G	837916-4	INNER TRAY		1				
A08H	837916-4	INNER TRAY		1				
A08I	837916-4	INNER TRAY		1				
A09G	803Y90-0	DHP446RFJ INDICATION LABEL		1				
A09H	803Y91-8	DHP446ZJ INDICATION LABEL		1				
A09I	804A10-3	DHP446RMJ INDICATION LABEL		1				
A10G	803Y93-4	DHP446RFJ PLASTIC CASE LABEL		2				
A10H	803Y94-2	DHP446ZJ PLASTIC CASE LABEL		2				
A10I	804A11-1	DHP446RMJ PLASTIC CASE LABEL		2				