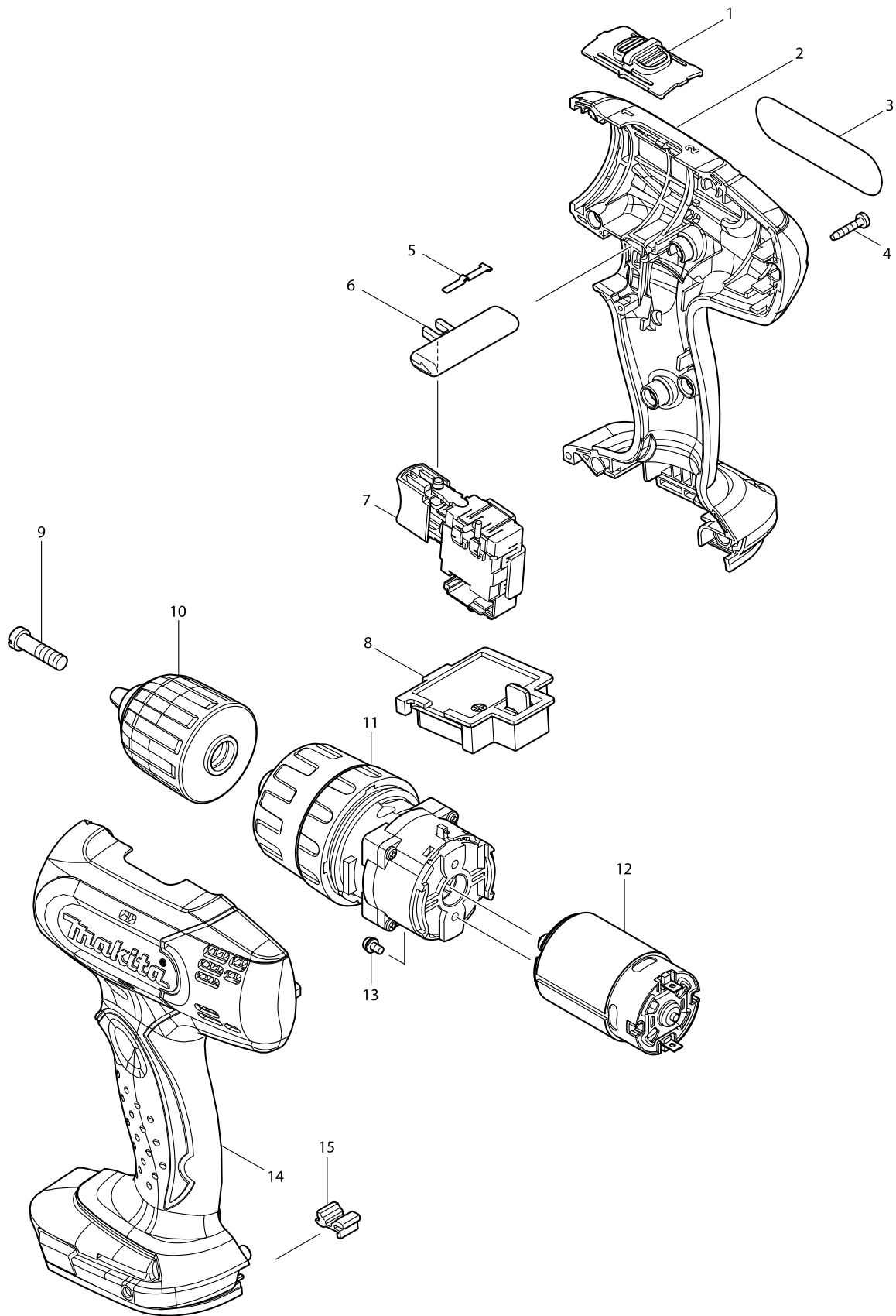


Model No. DHP343 CORDLESS PERCUSSION-DRIVER DRILL



Model No. DHP343 CORDLESS PERCUSSN-DRIVER DRILL

Item	Parts No.	Description	I/C	Qty	N/O	Opt. 1	Opt. 2	Note
001	125310-5	SPEED CHANGE LEVER ASS'Y		1				
C10	231433-0	COMPRESSION SPRING 4		2				
002	187929-8	HOUSING SET		1				
C10	263005-3	RUBBER PIN 6		2				
D10		INC. 14						
003	815H52-4	DHP343 NAME PLATE		1				
004	266130-9	TAPPING SCREW BIND PT 3X16		9				
005	232182-2	LEAF SPRING		1				
006	419250-0	F/R CHANGE LEVER		1				
007	632A24-0	SWITCH UNIT		1				
008	643854-8	TERMINAL		1				
009	251468-5	- FLAT HEAD SCREW M6X22		1				
010	766003-1	KEYLESS DRILL CHUCK 10		1				
011	126001-1	GEAR ASSEMBLY		1				
012	629900-1	DC MOTOR		1				
013	911003-8	PAN HEAD SCREW M3X6		2				
014	187929-8	HOUSING SET		1				
C10	263005-3	RUBBER PIN 6		2				
D10		INC. 2						
015	424476-1	CUSHION		1				
A01	784636-0	+- BIT 2-65		1				
A02D	***DC18RC	DC18RC FAST CHARGER		1				
A02E	***DC18SD	DC18SD BATTERY CHARGER		1				
A02F	***DC18RC	DC18RC FAST CHARGER		1				
A02G	***DC18SD	DC18SD BATTERY CHARGER		1				
A02H	***DC18SD	DC18SD BATTERY CHARGER		1				
A03D	194065-3	BATTERY BL1430 SET		2	*			
A03E	194558-0	BATTERY BL1415 SET		2				
A03F	194558-0	BATTERY BL1415 SET		2				
A03G	194558-0	BATTERY BL1415 SET		2				
A03H	196875-4	BATTERY BL1415N SET		2	*			
A03-1D	194065-3	BATTERY BL1430 SET	O	2				
A03-1H	196875-4	BATTERY BL1415N SET	O	2				
A04	450128-8	BATTERY COVER		1				
A05D	158777-2	PLASTIC CARRYING CASE		1				
C10	163455-1	LATCH		2				
C20	419360-3	HANDLE		1				
A05E	158777-2	PLASTIC CARRYING CASE		1				
C10	163455-1	LATCH		2				
C20	419360-3	HANDLE		1				
A05F	821550-0	CONNECTOR PLASTIC CASE (TYPE2)		1				
C10	453974-8	LATCH		4				
A05G	821550-0	CONNECTOR PLASTIC CASE (TYPE2)		1				
C10	453974-8	LATCH		4				
A05H	158777-2	PLASTIC CARRYING CASE		1				
C10	163455-1	LATCH		2				
C20	419360-3	HANDLE		1				
A06F	837863-9	INNER TRAY		1				

