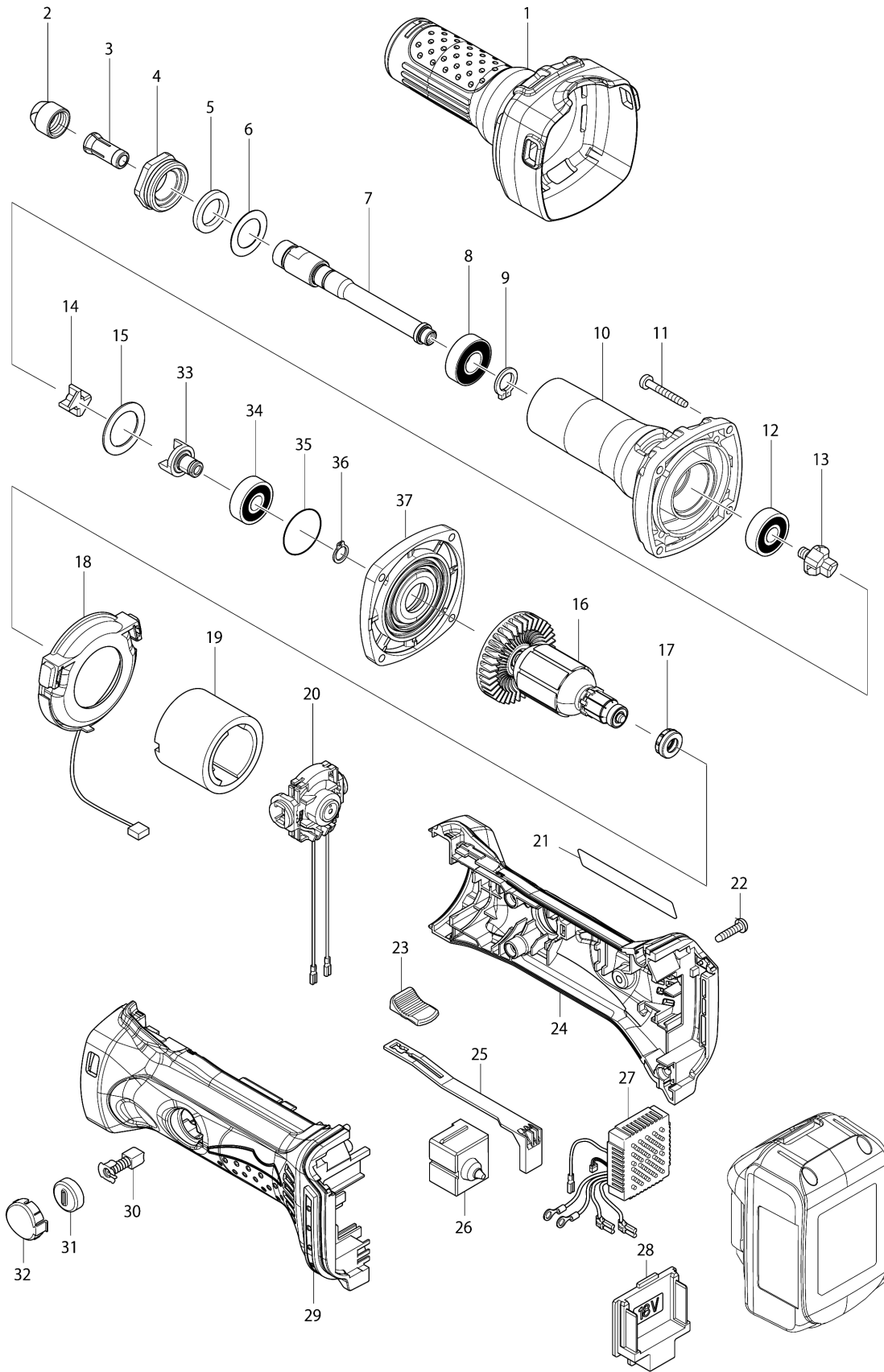


Model No.DGD800 CORDLESS DIE GRINDER





Model No.DGD800 CORDLESS DIE GRINDER

Item	Parts No.	Description	I/C	Qty	New/Old	Opt. 1	Opt. 2	Note
001	424380-4	INSULATION COVER		1				
002	763668-0	COLLET NUT		1				
003	763670-3	COLLET CONE 6		1				
004	317999-5	BEARING RETAINER		1				
005	443124-3	FELT RING 17		1				
006	267329-9	FLAT WASHER 18		1				
007	326010-2	SPINDLE		1				
008	210106-8	BALL BEARING 6001LLB		1				
009	961052-5	RETAINING RING S-12		1				
010	318000-9	BARREL		1				
011	266361-0	TAPPING SCREW 4X30		4				
012	210042-8	BALL BEARING 629LLB		1				
013	324639-8	COUPLING		1				
014	421942-9	SPACER		1				
015	267126-3	FLAT WASHER 22		1				
016	619284-5	ARMATURE		1				
D10		INC. 17						
017	421977-0	RUBBER RING 13		1				
018	631714-6	LED CIRCUIT		1				
019	638627-2	YOKE UNIT		1				
020	638921-2	ENDBELL COMPLETE		1				
021E	815P35-2	DGD800 NAME PLATE		1				
021F	815P35-2	DGD800 NAME PLATE		1				
021G	815P35-2	DGD800 NAME PLATE		1				
021H	815P35-2	DGD800 NAME PLATE		1				
021I	815P35-2	DGD800 NAME PLATE		1				
022	265995-6	TAPPING SCREW 4X18		5				
023	419566-3	SWITCH KNOB		1				
024	187843-8	HOUSING SET		1				
C10	263005-3	RUBBER PIN 6		2				
D10		INC. 29						
025	419519-2	SWITCH LEVER		1				
026	650579-7	SWITCH 1246.3223		1				
027	620243-4	CONTROLLER		1				
028	644808-8	TERMINAL		1				
029	187843-8	HOUSING SET		1				
C10	263005-3	RUBBER PIN 6		2				
D10		INC. 24						
030	191971-3	CARBON BRUSH CB-430		1				
031	643929-3	BRUSH HOLDER CAP		2				
032	419518-4	HOLDER CAP COVER		2				
033	326009-7	COUPLING		1				

Model No.DGD800 CORDLESS DIE GRINDER

Item	Parts No.	Description	I/C	Qty	New/Old	Opt. 1	Opt. 2	Note
034	210042-8	BALL BEARING 629LLB		1				
035	213445-5	O-RING 26		1				
036	961005-4	RETAINING RING S-9		1				
037	317821-6	GEAR HOUSING COVER		1				
A01	781039-9	WRENCH 13		2				
A02F	450128-8	BATTERY COVER		1				
A02G	450128-8	BATTERY COVER		2				
A02I	450128-8	BATTERY COVER		2				
A03F	***DC18RC	DC18RC FAST CHARGER		1				
A03G	***DC18RC	DC18RC FAST CHARGER		1				
A03I	***DC18RC	DC18RC FAST CHARGER		1				
A04F	194204-5	BATTERY BL1830 SET		2	*			
A04G	194204-5	BATTERY BL1830 SET		2	*			
A04I	196399-0	BATTERY BL1840 SET		2	*			
A04-1F	194204-5	BATTERY BL1830 SET	O	2	*			
A04-1G	194204-5	BATTERY BL1830 SET	O	2	*			
A04-1I	196399-0	BATTERY BL1840 SET	O	2	*			
A04-2F	197600-6	BATTERY BL1830B SET	<	2	*			
A04-2G	197600-6	BATTERY BL1830B SET	<	2	*			
A04-2I	197265-4	BATTERY BL1840B SET	<	2	*			
A04-3F	197600-6	BATTERY BL1830B SET	O	2				
A04-3G	197600-6	BATTERY BL1830B SET	O	2				
A04-3I	197265-4	BATTERY BL1840B SET	O	2				
A05F	141482-8	PLASTIC CASE COMPLETE		1				
C10	162315-4	LATCH		2				
A05G	821550-0	CONNECTOR PLASTIC CASE (TYPE2)		1				
C10	453974-8	LATCH		4				
A05H	821550-0	CONNECTOR PLASTIC CASE (TYPE2)		1				
C10	453974-8	LATCH		4				
A05I	821550-0	CONNECTOR PLASTIC CASE (TYPE2)		1				
C10	453974-8	LATCH		4				
A06F	803U25-7	DGD800RFE PLASTIC CASE LABEL		2				
A06G	837806-1	INNER TRAY		1				
A06H	837806-1	INNER TRAY		1				
A06I	837806-1	INNER TRAY		1				
A07G	803U21-5	DGD800RFJ INDICATION LABEL		1				
A07H	803U23-1	DGD800ZJ INDICATION LABEL		1				
A07I	804E98-7	DGD800RMJ INDICATION LABEL		1				
A08G	803U22-3	DGD800RFJ PLASTIC CASE LABEL		2				

Model No.DGD800 CORDLESS DIE GRINDER

Item	Parts No.	Description	I/C	Qty	New/Old	Opt. 1	Opt. 2	Note
A08H	803U24-9	DGD800ZJ PLASTIC CASE LABEL		2				
A08I	804E99-5	DGD800RMJ PLASTIC CASE LABEL		2				

Please order the parts with part number.

Print Date 26/3/2020