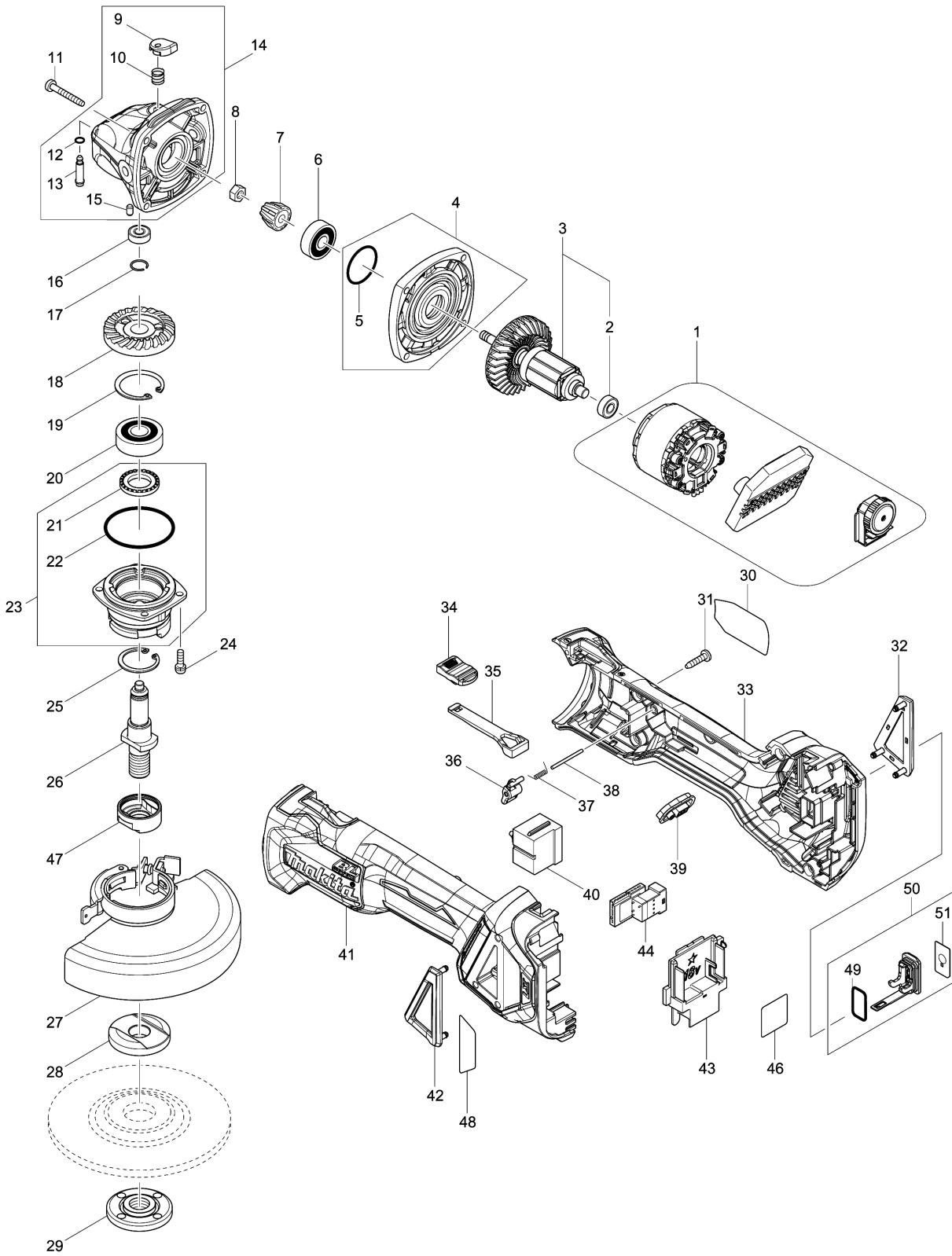


Model No.DGA514 125MM CORDLESS ANGLE GRINDER





Model No.DGA514 125MM CORDLESS ANGLE GRINDER

Item	Parts No.	Description	I/C	Qty	New/Old	Opt. 1	Opt. 2	Note
001	629299-4	STATOR COMPLETE		1				
002	210169-4	BALL BEARING 607LLB		1				
003	510329-1	ROTOR ASS'Y		1				
D10		INC. 2						
004	135930-7	GEAR HOUSING COVER ASSEMBLY		1	*			
D10		INC. 5			*			
004-1	136170-0	GEAR HOUSING COVER ASS'Y	O	1				
D10		INC. 5						
005	213445-5	O-RING 26		1	*			
005-1	213407-3	O RING 26	O	1				
006	210042-8	BALL BEARING 629LLB		1				
007	227541-3	SPIRAL BEVEL GEAR 10		1	*			
007-1	226861-2	SPIRAL BEVEL GEAR 10	S	1				
008	252186-8	HEX. NUT M6		1				
009	417771-6	PIN CAP		1				
010	233072-2	COMPRESSION SPRING 8		1				
011	266361-0	TAPPING SCREW 4X30		4				
012	213960-9	O RING 5		1				
013	256546-6	SHOULDER PIN 4		1				
014	135929-2	GEAR HOUSING ASSEMBLY		1				
D10		INC. 9,10,12,13,15						
015	263002-9	RUBBER PIN 4		1				
016	210033-9	BALL BEARING 696ZZ		1				
017	233950-6	RING SPRING 11		1				
018	227641-9	SPIRAL BEVEL GEAR 37		1	*			
018-1	226862-0	SPIRAL BEVEL GEAR 37	S	1				
019	962151-6	RETAINING RING R-32		1				
020	211129-9	BALL BEARING 6201DDW		1				
021	262153-5	FELT RING 16		1				
022	213622-9	O RING 45		1				
023	135949-6	BEARING BOX ASSEMBLY		1				
D10		INC. 21,22						
024	911121-2	PAN HEAD SCREW M4X14		4				
025	962105-3	RETAINING RING R-26		1				
026	326672-6	SPINDLE		1				
027	123145-8	TOOLLESS WHEELCOVER 125AK ASSY		1				
C10	213009-5	O RING 4		1				
C20	265180-1	PAN HEAD SCREW M5X16		1				
028	224447-6	INNER FLANGE 42B		1				
029	224554-5	LOCK NUT 14-45		1				
030	853X98-8	DGA514 NAME PLATE		1				

Model No.DGA514 125MM CORDLESS ANGLE GRINDER

Item	Parts No.	Description	I/C	Qty	New/Old	Opt. 1	Opt. 2	Note
031	266326-2	TAPPING SCREW 4X18		5				
032	455450-8	DUST COVER R		1				
033	183H84-2	MOTOR HOUSING SET		1				
C10	263005-3	RUBBER PIN 6		2				
D10		INC. 41						
034	455447-7	SWITCH KNOB		1				
035	455446-9	SWITCH LEVER		1				
036	455448-5	LEVER		1				
037	231679-8	TORSION SPRING 2		1				
038	268330-7	PIN 2		1				
039	142901-7	INDICATOR PANEL COMPLETE		1				
040	650579-7	SWITCH 1246.3223		1				
041	183H84-2	MOTOR HOUSING SET		1				
C10	263005-3	RUBBER PIN 6		2				
D10		INC. 33						
042	455449-3	DUST COVER L		1				
043	643874-2	TERMINAL		1				
044	620752-3	SUB CONTROLLER		1				
046	853Y04-9	DGA514 SERIAL NO. LABEL		1				
047	310514-4	LEAD FLANGE		1				
048	816D93-9	INDICATION LABEL		1				
049A	213275-4	O RING 18		1	*			
049B	213218-6	O RING 16		1				
049-1A	213218-6	O RING 16	<	1				
050A	183H92-3	CAP SET		1	*			
D10		INC. 49,51			*			
050B	183J85-2	CAP SET		1	*			
050-1A	183J85-2	CAP SET	O	1	*			
D10		INC. 49,51			*			
050-1B	140G30-2	CAP COMPLETE	<	1				
050-2A	140G30-2	CAP COMPLETE	<	1				
D10		INC. 49,51						
051	813T75-8	CAP LABEL		1	*			
051-1	818H48-4	CAP LABEL	<	1				
A01	158237-4	GRIP 36 COMPLETE		1				
A02	A-80656	GRINDING WHEEL 125 WA36N		1				
A03	782423-1	LOCK NUT WRENCH 35		1				
A04A	198897-0	WIRELESS UNIT SET		1	*			
A04-1A	198900-7	WIRELESS UNIT SET		1				

Please order the parts with part number.

Print Date 26/3/2020