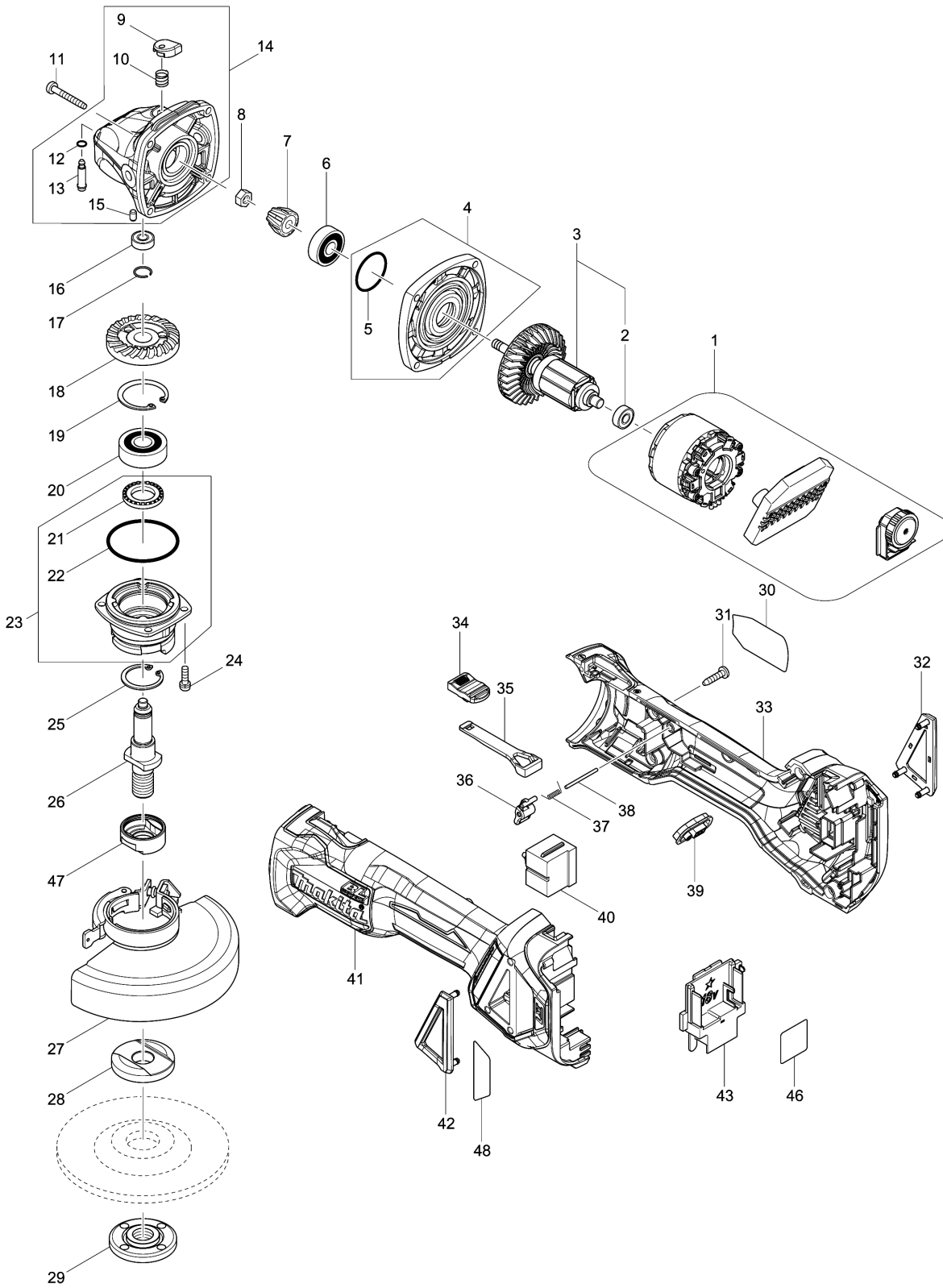


Model No.DGA463 115MM CORDLESS ANGLE GRINDER



Model No.DGA463 115MM CORDLESS ANGLE GRINDER

| Item  | Parts No. | Description                    | I/C | Qty | New/Old | Opt. 1 | Opt. 2 | Note |
|-------|-----------|--------------------------------|-----|-----|---------|--------|--------|------|
| 001   | 629298-6  | STATOR COMPLETE                |     | 1   |         |        |        |      |
| 002   | 210169-4  | BALL BEARING 607LLB            |     | 1   |         |        |        |      |
| 003   | 510329-1  | ROTOR ASS'Y                    |     | 1   |         |        |        |      |
| D10   |           | INC. 2                         |     |     |         |        |        |      |
| 004   | 135930-7  | GEAR HOUSING COVER ASSEMBLY    |     | 1   | *       |        |        |      |
| D10   |           | INC. 5                         |     |     | *       |        |        |      |
| 004-1 | 136170-0  | GEAR HOUSING COVER ASS'Y       | O   | 1   |         |        |        |      |
| D10   |           | INC. 5                         |     |     |         |        |        |      |
| 005   | 213445-5  | O-RING 26                      |     | 1   | *       |        |        |      |
| 005-1 | 213407-3  | O RING 26                      | O   | 1   |         |        |        |      |
| 006   | 210042-8  | BALL BEARING 629LLB            |     | 1   |         |        |        |      |
| 007   | 227541-3  | SPIRAL BEVEL GEAR 10           |     | 1   | *       |        |        |      |
| 007-1 | 226861-2  | SPIRAL BEVEL GEAR 10           | S   | 1   |         |        |        |      |
| 008   | 252186-8  | HEX. NUT M6                    |     | 1   |         |        |        |      |
| 009   | 417771-6  | PIN CAP                        |     | 1   |         |        |        |      |
| 010   | 233072-2  | COMPRESSION SPRING 8           |     | 1   |         |        |        |      |
| 011   | 266361-0  | TAPPING SCREW 4X30             |     | 4   |         |        |        |      |
| 012   | 213960-9  | O RING 5                       |     | 1   |         |        |        |      |
| 013   | 256546-6  | SHOULDER PIN 4                 |     | 1   |         |        |        |      |
| 014   | 135929-2  | GEAR HOUSING ASSEMBLY          |     | 1   |         |        |        |      |
| D10   |           | INC. 9,10,12,13,15             |     |     |         |        |        |      |
| 015   | 263002-9  | RUBBER PIN 4                   |     | 1   |         |        |        |      |
| 016   | 210033-9  | BALL BEARING 696ZZ             |     | 1   |         |        |        |      |
| 017   | 233950-6  | RING SPRING 11                 |     | 1   |         |        |        |      |
| 018   | 227641-9  | SPIRAL BEVEL GEAR 37           |     | 1   | *       |        |        |      |
| 018-1 | 226862-0  | SPIRAL BEVEL GEAR 37           | S   | 1   |         |        |        |      |
| 019   | 962151-6  | RETAINING RING R-32            |     | 1   |         |        |        |      |
| 020   | 211129-9  | BALL BEARING 6201DDW           |     | 1   |         |        |        |      |
| 021   | 262153-5  | FELT RING 16                   |     | 1   |         |        |        |      |
| 022   | 213622-9  | O RING 45                      |     | 1   |         |        |        |      |
| 023   | 135949-6  | BEARING BOX ASSEMBLY           |     | 1   |         |        |        |      |
| D10   |           | INC. 21,22                     |     |     |         |        |        |      |
| 024   | 911121-2  | PAN HEAD SCREW M4X14           |     | 4   |         |        |        |      |
| 025   | 962105-3  | RETAINING RING R-26            |     | 1   |         |        |        |      |
| 026   | 326672-6  | SPINDLE                        |     | 1   |         |        |        |      |
| 027   | 123144-0  | TOOLLESS WHEELCOVER 115AK ASSY |     | 1   |         |        |        |      |
| C10   | 213009-5  | O RING 4                       |     | 1   |         |        |        |      |
| C20   | 265180-1  | PAN HEAD SCREW M5X16           |     | 1   |         |        |        |      |
| 028   | 224447-6  | INNER FLANGE 42B               |     | 1   |         |        |        |      |
| 029   | 224554-5  | LOCK NUT 14-45                 |     | 1   |         |        |        |      |
| 030   | 853X41-7  | DGA463 NAME PLATE              |     | 1   |         |        |        |      |

Model No.DGA463 115MM CORDLESS ANGLE GRINDER

| Item   | Parts No. | Description                       | I/C | Qty | New/Old | Opt. 1 | Opt. 2 | Note |
|--------|-----------|-----------------------------------|-----|-----|---------|--------|--------|------|
| 031    | 266326-2  | TAPPING SCREW 4X18                |     | 5   |         |        |        |      |
| 032    | 455450-8  | DUST COVER R                      |     | 1   |         |        |        |      |
| 033    | 183H83-4  | HOUSING SET                       |     | 1   |         |        |        |      |
| C10    | 263005-3  | RUBBER PIN 6                      |     | 2   |         |        |        |      |
| D10    |           | INC. 41                           |     |     |         |        |        |      |
| 034    | 455447-7  | SWITCH KNOB                       |     | 1   |         |        |        |      |
| 035    | 455446-9  | SWITCH LEVER                      |     | 1   |         |        |        |      |
| 036    | 455448-5  | LEVER                             |     | 1   |         |        |        |      |
| 037    | 231679-8  | TORSION SPRING 2                  |     | 1   |         |        |        |      |
| 038    | 268330-7  | PIN 2                             |     | 1   |         |        |        |      |
| 039    | 142901-7  | INDICATOR PANEL COMPLETE          |     | 1   |         |        |        |      |
| 040    | 650579-7  | SWITCH 1246.3223                  |     | 1   |         |        |        |      |
| 041    | 183H83-4  | HOUSING SET                       |     | 1   |         |        |        |      |
| C10    | 263005-3  | RUBBER PIN 6                      |     | 2   |         |        |        |      |
| D10    |           | INC. 33                           |     |     |         |        |        |      |
| 042    | 455449-3  | DUST COVER L                      |     | 1   |         |        |        |      |
| 043    | 643874-2  | TERMINAL                          |     | 1   |         |        |        |      |
| 046    | 853X43-3  | DGA463 SERIAL NO. LABEL           |     | 1   |         |        |        |      |
| 047    | 310514-4  | LEAD FLANGE                       |     | 1   |         |        |        |      |
| 048    | 816D93-9  | INDICATION LABEL                  |     | 1   |         |        |        |      |
| A01    | 158237-4  | GRIP 36 COMPLETE                  |     | 1   |         |        |        |      |
| A02    | A-80640   | DEPRESSED CENTER WHEEL<br>115X36  |     | 1   |         |        |        |      |
| A03    | 782423-1  | LOCK NUT WRENCH 35                |     | 1   |         |        |        |      |
| A04B   | 450128-8  | BATTERY COVER                     |     | 2   |         |        |        |      |
| A05B   | ***DC18RC | DC18RC FAST CHARGER               |     | 1   |         |        |        |      |
| D10    |           | COMPO-PARTS                       |     |     |         |        |        |      |
| A06B   | 197280-8  | BATTERY BL1850B SET               |     | 2   | *       |        |        |      |
| A06-1B | 197280-8  | BATTERY BL1850B SET               | O   | 2   |         |        |        |      |
| A07    | 821551-8  | CONNECTOR PLASTIC CASE<br>(TYPE3) |     | 1   |         |        |        |      |
| C10    | 453974-8  | LATCH                             |     | 4   |         |        |        |      |
| A08A   | 816K06-2  | DGA463ZJ INDICATION LABEL         |     | 1   |         |        |        |      |
| A08B   | 816K09-6  | DGA463RTJ INDICATION LABEL        |     | 1   |         |        |        |      |
| A09A   | 816K07-0  | DGA463ZJ PLASTIC CASE LABEL       |     | 2   |         |        |        |      |
| A09B   | 816K10-1  | DGA463RTJ PLASTIC CASE LABEL      |     | 2   |         |        |        |      |
| A10    | 839252-4  | INNER TRAY                        |     | 1   |         |        |        |      |
| A13    | 199709-0  | CUTTING W.C.A. 115 SET            |     | 1   |         |        |        |      |

Please order the parts with part number.

Print Date 17/1/2022