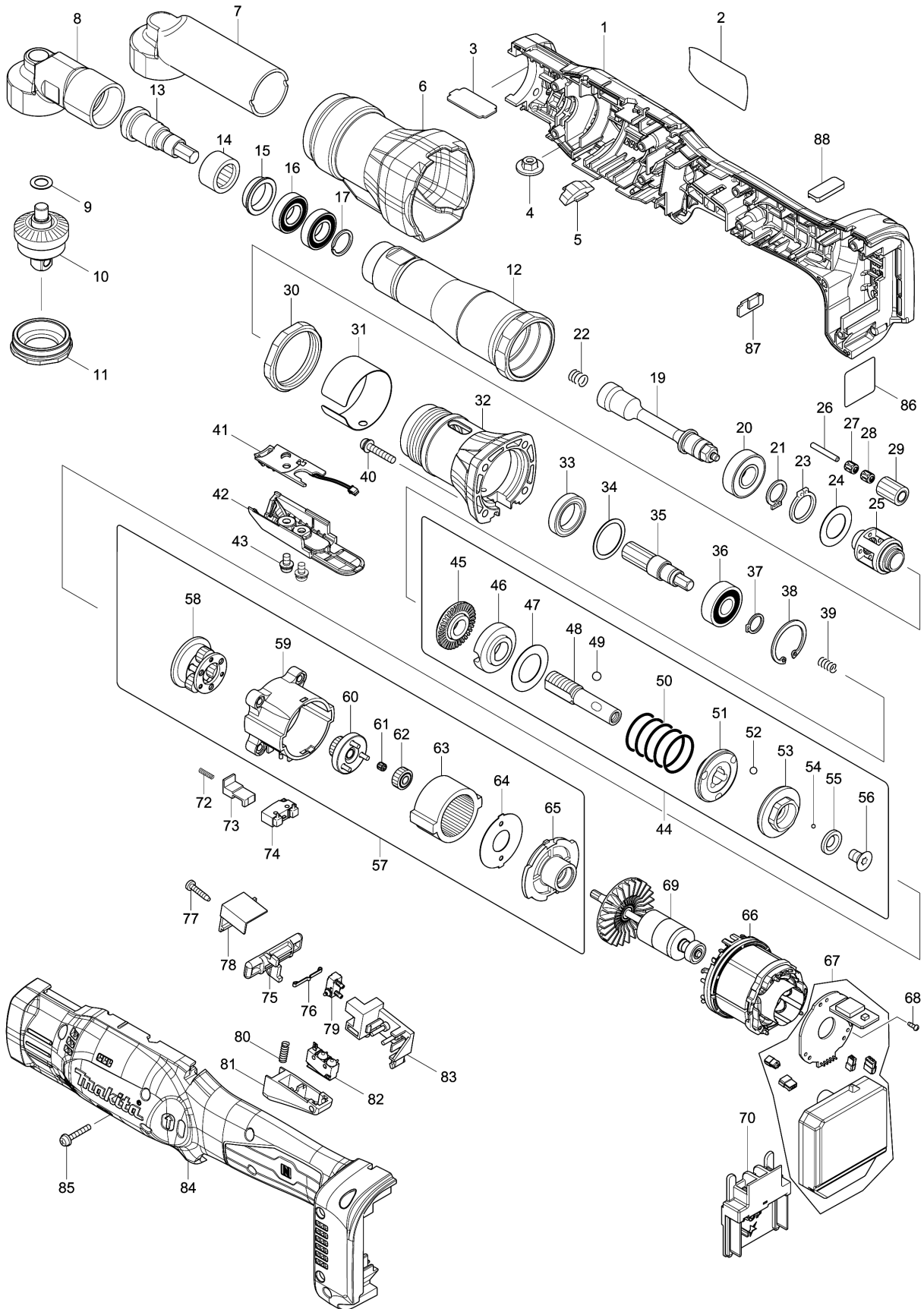


Model No.DFL651F CORDLESS ANGLE SCREWDRIVER



Model No.DFL651F CORDLESS ANGLE SCREWDRIVER

Item	Parts No.	Description	I/C	Qty	New/Old	Opt. 1	Opt. 2	Note
001	183C90-7	HOUSING SET		1				
C10	263005-3	RUBBER PIN 6		2				
D10		INC. 84						
002	851R21-1	DFL651F NAME PLATE		1				
003	346862-5	PLATE L		1				
004	252142-8	HEX.NUT FLANGE M5		1				
005	455767-9	LENS		1	*			
005-1	458391-7	LENS	<	1				
006	455773-4	PROTECTOR G		1				
007	455771-8	PROTECTOR E		1				
008	143716-5	ANGLE HEAD COMPLETE		1				
009	253777-8	FLAT WASHER 8		1				
010	143714-9	SPINDLE A COMPLETE		1				
011	285739-8	BEARING RETAINER 20-34		1				
012	143717-3	INTERNAL GEAR HOUSING COMPLETE		1				
C10	455772-6	PROTECTOR F		1				
013	221443-5	SPIRAL BEVEL GEAR 9		1				
014	212222-2	NEEDLE BEARING 1612		1				
015	326709-9	SPACER		1				
016	211288-9	BALL BEARING 6901DDW		2				
017	961082-6	RETAINING RING WR12		1				
019	326708-1	SHAFT		1				
020	211131-2	BALL BEARING 6001DDW		1				
021	961072-9	RETAINING RING S-12		1				
022	234392-7	COMPRESSION SPRING 6		1				
023	961056-7	RETAINING RING S-16		1				
024	253749-3	FLAT WASHER 16		1				
025	326491-0	CARRIER		1				
026	256221-4	PIN 3		4				
027	212131-5	NEEDLE CAGE 307		4				
028	212131-5	NEEDLE CAGE 307		4				
029	227364-9	SPUR GEAR 14		4				
030	252187-6	HEX. NUT M36-41		1				
031	346863-3	RING 38R		1				
032	317808-8	CLUTCH CASE		1				
033	211283-9	BALL BEARING 6803ZZ		1				
034	267283-7	FLAT WASHER 21		1				
035	227365-7	SPUR GEAR 13		1				
036	211088-7	BALL BEARING 6000DDW		1				
037	961026-6	RETAINING RING S-10		1				
038	962105-3	RETAINING RING R-26		1				
039	233019-6	COMPRESSION SPRING 5		1				

Please order the parts with part number.

Print Date 26/3/2020

Model No.DFL651F CORDLESS ANGLE SCREWDRIVER

Item	Parts No.	Description	I/C	Qty	New/Old	Opt. 1	Opt. 2	Note
040	265145-3	+ PAN HEAD SCREW M4X22		4				
041	620396-9	LED CIRCUIT		1				
042	455765-3	SWITCH COVER		1	*			
042-1	457976-6	SWITCH COVER	<	1				
043	265171-2	PAN HEAD SCREW M4X8		2				
044	125392-7	CLUTCH ASS'Y E		1	*			
D10		INC. 45-56			*			
044-1	125392-7	CLUTCH ASS'Y E	O	1				
D10		INC. 45-56						
045	324834-0	LOCK NUT M12		1				
046	158408-3	ADJUST RING COMPLETE		1				
047	267276-4	FLAT WASHER 18		1				
048	324296-2	SPINDLE		1				
049	216018-3	STEEL BALL 5.0		3				
050	233385-1	COMPRESSION SPRING 19D		1				
051	223146-7	CAM D		1				
052	216024-8	STEEL BALL 4		3				
053	223139-4	CAM A		1				
054	216019-1	STEEL BALL 3		1				
055	267247-1	FLAT WASHER 7		1				
056	266305-0	TORX C.S HEAD SCREW M5X10		1				
057	123294-1	GEAR ASSEMBLY F		1	*			
D10		INC. 58-65			*			
057-1	127580-2	GEAR ASSEMBLY F	<	1				
C10	211375-4	BALL BEARING 6805LLB	S	1				
C20	227050-2	SPUR GEAR 13	S	5				
D10		INC. 58-65						
058	143137-1	CARRIER COMPLETE		1	*			
058-1	140T45-7	CARRIER COMPLETE	S	1				
059	418004-2	GEAR CASE		1				
060	143052-9	SPUR GEAR 20 COMPLETE		1	*			
060-1	140T46-5	SPUR GEAR 20 COMPLETE	S	1				
061	212132-3	NEEDLE CAGE 205		3	*			
061-1	212194-1	NEEDLE CAGE 205	<	3				
062	227366-5	SPUR GEAR 18		3				
063	227048-9	INTERNAL GEAR 47		1				
064	267774-8	LOCK WASHER		1				
065	418003-4	MOTOR BRACKET		1				
066	629151-6	STATOR 18V		1				
067	620493-1	CONTROLLER		1	*			
067-1	620854-5	CONTROLLER	<	1				
068	266490-9	TAPPING SCREW PT 2X6		3				

Please order the parts with part number.

Print Date 26/3/2020

Model No.DFL651F CORDLESS ANGLE SCREWDRIVER

Item	Parts No.	Description	I/C	Qty	New/Old	Opt. 1	Opt. 2	Note
069	619364-7	ROTOR		1				
070	643860-3	TERMINAL		1				
072	234361-8	COMPRESSION SPRING 2		1				
073	418002-6	SWITCH LEVER		1				
074	632E35-9	SWITCH UNIT		1				
075	455766-1	F/R CHANGE LEVER		1				
076	232201-4	LEAF SPRING		1				
077	266130-9	TAPPING SCREW BIND PT 3X16		1				
078	418204-4	COVER		1				
079	638276-5	SWITCH UNIT		1				
080	231397-8	COMPRESSION SPRING 4		1				
081	418203-6	SWITCH LEVER A		1				
082	638275-7	SWITCH UNIT		1				
083	418202-8	SWITCH BASE		1				
084	183C90-7	HOUSING SET		1				
C10	263005-3	RUBBER PIN 6		2				
D10		INC. 1						
085	265095-2	PAN HEAD SCREW M3X20		8				
086	851R24-5	DFL651F SERIAL NO. LABEL		1				
087	620494-9	USB CIRCUIT		1				
088	424827-8	USB COVER		1				
A01	661432-2	USB CABLE		1	*			

Please order the parts with part number.

Print Date 26/3/2020