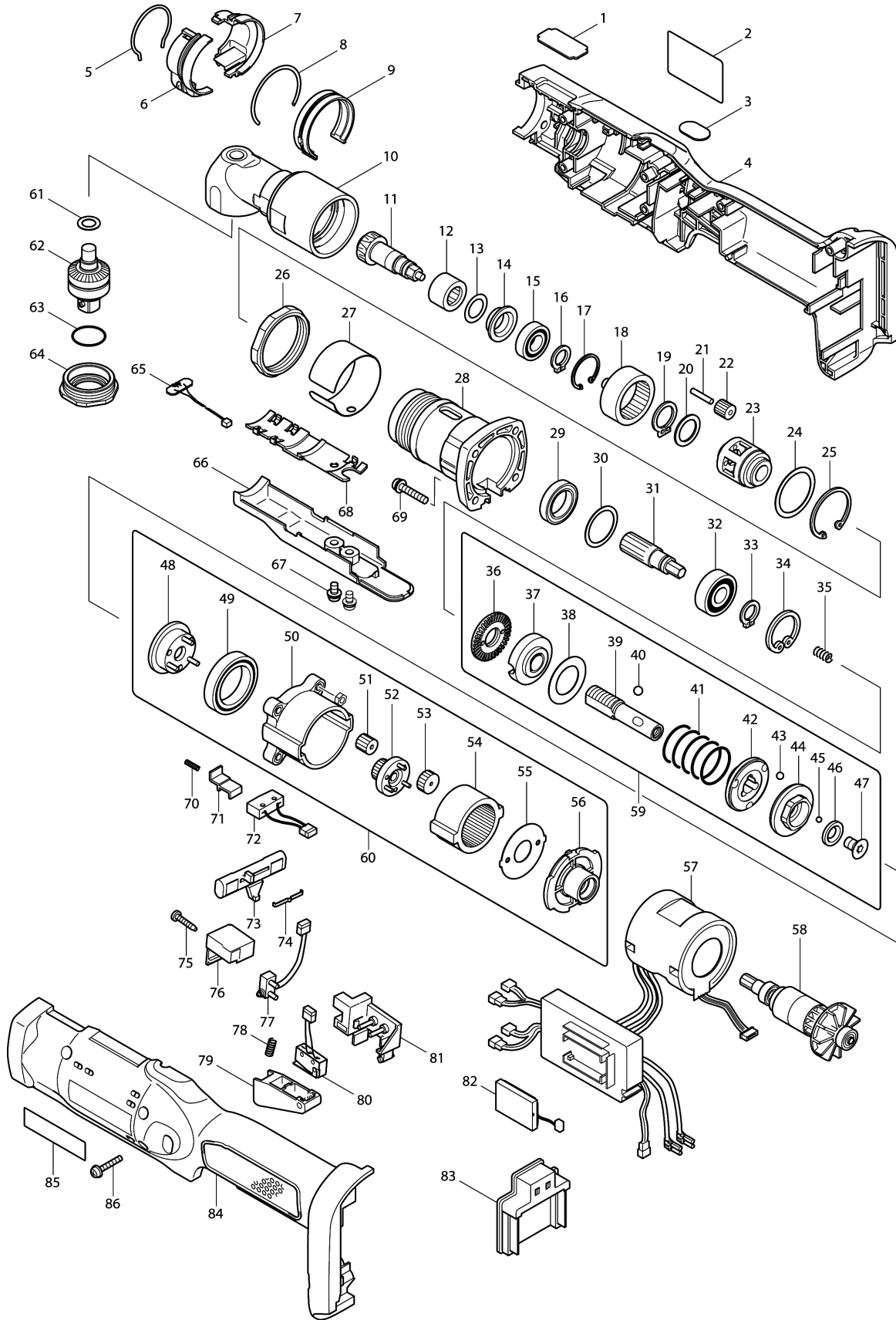


Model No.DFL400F CORDLESS ANGLE SCREWDRIVER



Model No.DFL400F CORDLESS ANGLE SCREWDRIVER

| Item  | Parts No. | Description          | I/C | Qty | New/Old | Opt. 1 | Opt. 2 | Note |
|-------|-----------|----------------------|-----|-----|---------|--------|--------|------|
| 001   | 345446-6  | PLATE K              |     | 1   |         |        |        |      |
| 002   | 850B58-9  | DFL400F NAME PLATE   |     | 1   |         |        |        |      |
| 003   | 418001-8  | LENS                 |     | 1   |         |        |        |      |
| 004   | 187856-9  | HOUSING SET          |     | 1   |         |        |        |      |
| D10   |           | INC. 84,85           |     |     |         |        |        |      |
| 005   | 233932-8  | RING SPRING 29       |     | 1   |         |        |        |      |
| 006   | 183848-6  | LIGHT COVER SET      |     | 1   |         |        |        |      |
| D10   |           | INC. 7               |     |     |         |        |        |      |
| 007   | 183848-6  | LIGHT COVER SET      |     | 1   |         |        |        |      |
| D10   |           | INC. 6               |     |     |         |        |        |      |
| 008   | 233931-0  | RING SPRING 36       |     | 1   |         |        |        |      |
| 009   | 418687-8  | LEAD COVER           |     | 1   |         |        |        |      |
| 010   | 158056-8  | ANGLE HEAD COMPLETE  |     | 1   | *       |        |        |      |
| 010-1 | 140B18-2  | ANGLE HEAD COMPLETE  | <   | 1   |         |        |        |      |
| 011   | 227479-2  | SPIRAL BEVEL GEAR 9  |     | 1   |         |        |        |      |
| 012   | 212108-0  | NEEDLE BEARING 1212  |     | 1   |         |        |        |      |
| 013   | 253312-2  | THIN WASHER 12       |     | 1   |         |        |        |      |
| 014   | 345281-2  | SPACER               |     | 1   |         |        |        |      |
| 015   | 210057-5  | BALL BEARING 6900LLB |     | 1   |         |        |        |      |
| 016   | 961026-6  | RETAINING RING S-10  |     | 1   |         |        |        |      |
| 017   | 962102-9  | RETAINING RING R-22  |     | 1   |         |        |        |      |
| 018   | 227120-7  | INTERNAL GEAR 50     |     | 1   |         |        |        |      |
| 019   | 961054-1  | RETAINING RING S-14  |     | 1   |         |        |        |      |
| 020   | 253837-6  | FLAT WASHER 14       |     | 1   |         |        |        |      |
| 021   | 256104-8  | PIN 3                |     | 5   |         |        |        |      |
| 022   | 227138-8  | SPUR GEAR 14         |     | 5   |         |        |        |      |
| 023   | 310148-3  | CARRIER              |     | 1   |         |        |        |      |
| 024   | 267127-1  | FLAT WASHER 26       |     | 1   |         |        |        |      |
| 025   | 962161-3  | RETAINING RING R-32  |     | 1   |         |        |        |      |
| 026   | 252187-6  | HEX. NUT M36-41      |     | 1   |         |        |        |      |
| 027   | 345447-4  | RING 38K             |     | 1   |         |        |        |      |
| 028   | 317808-8  | CLUTCH CASE          |     | 1   |         |        |        |      |
| 029   | 211283-9  | BALL BEARING 6803ZZ  |     | 1   |         |        |        |      |
| 030   | 267283-7  | FLAT WASHER 21       |     | 1   |         |        |        |      |
| 031   | 227137-0  | SPUR GEAR 21         |     | 1   |         |        |        |      |
| 032   | 211088-7  | BALL BEARING 6000DDW |     | 1   |         |        |        |      |
| 033   | 961026-6  | RETAINING RING S-10  |     | 1   |         |        |        |      |
| 034   | 962105-3  | RETAINING RING R-26  |     | 1   |         |        |        |      |
| 035   | 233019-6  | COMPRESSION SPRING 5 |     | 1   |         |        |        |      |
| 036   | 324834-0  | LOCK NUT M12         |     | 1   |         |        |        |      |
| 037   | 158408-3  | ADJUST RING COMPLETE |     | 1   |         |        |        |      |
| 038   | 267276-4  | FLAT WASHER 18       |     | 1   |         |        |        |      |

Model No.DFL400F CORDLESS ANGLE SCREWDRIVER

| Item  | Parts No. | Description                  | I/C | Qty | New/Old | Opt. 1 | Opt. 2 | Note |
|-------|-----------|------------------------------|-----|-----|---------|--------|--------|------|
| 039   | 324296-2  | SPINDLE                      |     | 1   |         |        |        |      |
| 040   | 216018-3  | STEEL BALL 5.0               |     | 3   |         |        |        |      |
| 041   | 233357-6  | COMPRESSION SPRING 19B       |     | 1   |         |        |        |      |
| 042   | 223146-7  | CAM D                        |     | 1   |         |        |        |      |
| 043   | 216024-8  | STEEL BALL 4                 |     | 3   |         |        |        |      |
| 044   | 223139-4  | CAM A                        |     | 1   |         |        |        |      |
| 045   | 216019-1  | STEEL BALL 3                 |     | 13  |         |        |        |      |
| 046   | 267247-1  | FLAT WASHER 7                |     | 1   |         |        |        |      |
| 047   | 266305-0  | TORX C.S HEAD SCREW<br>M5X10 |     | 1   |         |        |        |      |
| 048   | 153443-6  | CARRIER COMPLETE A           |     | 1   |         |        |        |      |
| 049   | 211375-4  | BALL BEARING 6805LLB         |     | 1   |         |        |        |      |
| 050   | 418004-2  | GEAR CASE                    |     | 1   | *       |        |        |      |
| 050-1 | 418004-2  | GEAR CASE                    | O   | 1   |         |        |        |      |
| 051   | 227050-2  | SPUR GEAR 13                 |     | 3   |         |        |        |      |
| 052   | 153445-2  | SPUR GEAR 20 COMPLETE A      |     | 1   |         |        |        |      |
| 053   | 227049-7  | SPUR GEAR 18                 |     | 3   |         |        |        |      |
| 054   | 227048-9  | INTERNAL GEAR 47             |     | 1   |         |        |        |      |
| 055   | 267774-8  | LOCK WASHER                  |     | 1   |         |        |        |      |
| 056   | 418003-4  | MOTOR BRACKET                |     | 1   |         |        |        |      |
| 057   | 631620-5  | MOTOR CONTROL UNIT           |     | 1   | *       |        |        |      |
| 057-1 | 620881-2  | MOTOR CONTROL UNIT           | <   | 1   |         |        |        |      |
| 058   | 619144-1  | ROTOR                        |     | 1   |         |        |        |      |
| 059   | 125397-7  | CLUTCH ASS'Y J               |     | 1   | *       |        |        |      |
| D10   |           | INC. 36-47                   |     |     | *       |        |        |      |
| 059-1 | 125397-7  | CLUTCH ASS'Y J               | O   | 1   |         |        |        |      |
| D10   |           | INC. 36-47                   |     |     |         |        |        |      |
| 060   | 125189-4  | GEAR ASSEMBLY A              |     | 1   | *       |        |        |      |
| D10   |           | INC. 48-56                   |     |     | *       |        |        |      |
| 060-1 | 125189-4  | GEAR ASSEMBLY A              | O   | 1   |         |        |        |      |
| D10   |           | INC. 48-56                   |     |     |         |        |        |      |
| 061   | 253777-8  | FLAT WASHER 8                |     | 1   |         |        |        |      |
| 062   | 154448-9  | SPINDLE A COMPLETE           |     | 1   |         |        |        |      |
| 063   | 213275-4  | O RING 18                    |     | 1   |         |        |        |      |
| 064   | 285723-3  | BEARING RETAINER 18-30       |     | 1   |         |        |        |      |
| 065   | 631622-1  | LED CIRCUIT                  |     | 1   |         |        |        |      |
| 066   | 418690-9  | SWITCH COVER                 |     | 1   |         |        |        |      |
| 067   | 265171-2  | PAN HEAD SCREW M4X8          |     | 2   |         |        |        |      |
| 068   | 418686-0  | LEAD HOLDER                  |     | 1   |         |        |        |      |
| 069   | 265145-3  | + PAN HEAD SCREW M4X22       |     | 4   |         |        |        |      |
| 070   | 233025-1  | COMPRESSION SPRING 2         |     | 1   |         |        |        |      |
| 071   | 418002-6  | SWITCH LEVER                 |     | 1   |         |        |        |      |
| 072   | 638184-0  | SWITCH UNIT                  |     | 1   | *       |        |        |      |

Please order the parts with part number.

Print Date 14/11/2021

Model No.DFL400F CORDLESS ANGLE SCREWDRIVER

| Item  | Parts No. | Description                   | I/C | Qty | New/Old | Opt. 1 | Opt. 2 | Note |
|-------|-----------|-------------------------------|-----|-----|---------|--------|--------|------|
| 072-1 | 632T52-9  | SWITCH UNIT                   | O   | 1   |         |        |        |      |
| 073   | 418201-0  | F/R CHANGE LEVER              |     | 1   |         |        |        |      |
| 074   | 232201-4  | LEAF SPRING                   |     | 1   |         |        |        |      |
| 075   | 266130-9  | TAPPING SCREW BIND PT<br>3X16 |     | 1   |         |        |        |      |
| 076   | 418204-4  | COVER                         |     | 1   |         |        |        |      |
| 077   | 638276-5  | SWITCH UNIT                   |     | 1   | *       |        |        |      |
| 077-1 | 632T56-1  | SWITCH UNIT                   | O   | 1   |         |        |        |      |
| 078   | 231397-8  | COMPRESSION SPRING 4          |     | 1   |         |        |        |      |
| 079   | 418203-6  | SWITCH LEVER A                |     | 1   |         |        |        |      |
| 080   | 638275-7  | SWITCH UNIT                   |     | 1   | *       |        |        |      |
| 080-1 | 632T55-3  | SWITCH UNIT                   | O   | 1   |         |        |        |      |
| 081   | 418202-8  | SWITCH BASE                   |     | 1   |         |        |        |      |
| 082   | 631514-4  | BUZZER CIRCUIT                |     | 1   |         |        |        |      |
| 083   | 643828-9  | TERMINAL                      |     | 1   |         |        |        |      |
| 084   | 187856-9  | HOUSING SET                   |     | 1   |         |        |        |      |
| D10   |           | INC. 4,85                     |     |     |         |        |        |      |
| 085   | 819063-3  | MAKITA LABEL                  |     | 1   |         |        |        |      |
| 086   | 265095-2  | PAN HEAD SCREW M3X20          |     | 7   |         |        |        |      |
| A01   | 418744-2  | PROTECTOR A(RED)              |     | 1   |         |        |        |      |
| A02   | 418750-7  | PROTECTOR C(RED)              |     | 1   |         |        |        |      |

Please order the parts with part number.

Print Date 14/11/2021