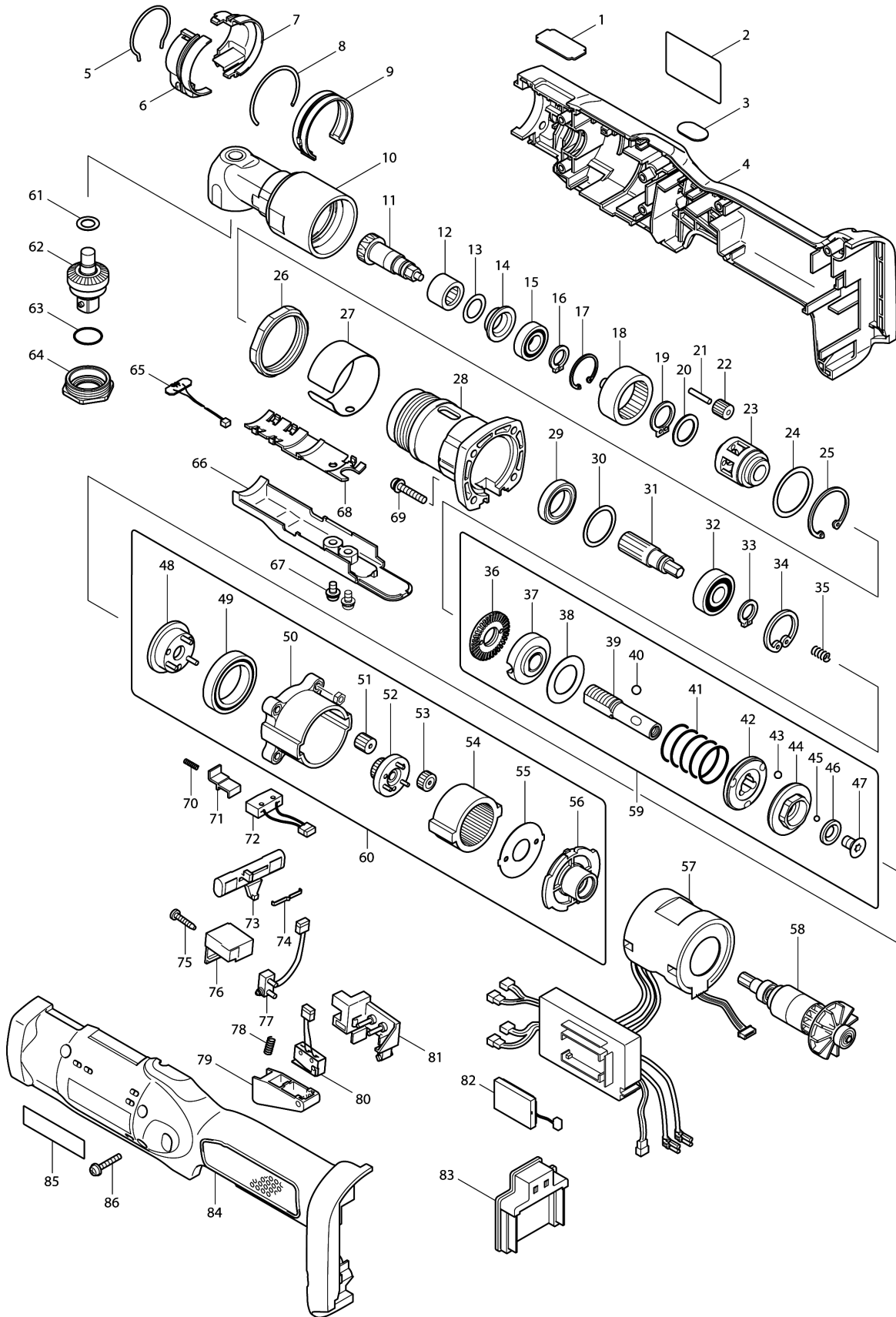


Model No.DFL300F CORDLESS ANGLE SCREWDRIVER



Model No.DFL300F CORDLESS ANGLE SCREWDRIVER

Item	Parts No.	Description	I/C	Qty	New/Old	Opt. 1	Opt. 2	Note
001	345445-8	PLATE J		1				
002	850A96-5	DFL300F NAME PLATE		1				
003	418001-8	LENS		1				
004	187856-9	HOUSING SET		1				
D10		INC. 84,85						
005	233932-8	RING SPRING 29		1				
006	183848-6	LIGHT COVER SET		1				
D10		INC. 7						
007	183848-6	LIGHT COVER SET		1				
D10		INC. 6						
008	233931-0	RING SPRING 36		1				
009	418687-8	LEAD COVER		1				
010	158055-0	ANGLE HEAD COMPLETE		1	*			
010-1	144978-8	ANGLE HEAD COMPLETE	<	1				
011	227478-4	SPIRAL BEVEL GEAR 9		1				
012	212122-6	NEEDLE BEARING 1212		1				
013	253312-2	THIN WASHER 12		1				
014	345281-2	SPACER		1				
015	210057-5	BALL BEARING 6900LLB		1				
016	961026-6	RETAINING RING S-10		1				
017	962102-9	RETAINING RING R-22		1				
018	227120-7	INTERNAL GEAR 50		1				
019	961054-1	RETAINING RING S-14		1				
020	253837-6	FLAT WASHER 14		1				
021	256104-8	PIN 3		5				
022	227138-8	SPUR GEAR 14		5				
023	310148-3	CARRIER		1				
024	267127-1	FLAT WASHER 26		1				
025	962161-3	RETAINING RING R-32		1				
026	252187-6	HEX. NUT M36-41		1				
027	345448-2	RING 38L		1				
028	317808-8	CLUTCH CASE		1				
029	211283-9	BALL BEARING 6803ZZ		1				
030	267283-7	FLAT WASHER 21		1				
031	227137-0	SPUR GEAR 21		1				
032	211088-7	BALL BEARING 6000DDW		1				
033	961026-6	RETAINING RING S-10		1				
034	962105-3	RETAINING RING R-26		1				
035	233019-6	COMPRESSION SPRING 5		1				
036	324834-0	LOCK NUT M12		1				
037	158408-3	ADJUST RING COMPLETE		1				
038	267276-4	FLAT WASHER 18		1				

Please order the parts with part number.

Print Date 14/11/2021

Model No.DFL300F CORDLESS ANGLE SCREWDRIVER

Item	Parts No.	Description	I/C	Qty	New/Old	Opt. 1	Opt. 2	Note
039	324296-2	SPINDLE		1				
040	216018-3	STEEL BALL 5.0		3				
041	233417-4	COMPRESSION SPRING 19F		1				
042	223146-7	CAM D		1				
043	216024-8	STEEL BALL 4		3				
044	223139-4	CAM A		1				
045	216019-1	STEEL BALL 3		13				
046	267247-1	FLAT WASHER 7		1				
047	266305-0	TORX C.S HEAD SCREW M5X10		1				
048	153443-6	CARRIER COMPLETE A		1				
049	211375-4	BALL BEARING 6805LLB		1				
050	418004-2	GEAR CASE		1	*			
050-1	418004-2	GEAR CASE	O	1				
051	227050-2	SPUR GEAR 13		3				
052	153684-4	SPUR GEAR 20 COMPLETE C		1				
053	227104-5	SPUR GEAR 15		3				
054	227048-9	INTERNAL GEAR 47		1				
055	267774-8	LOCK WASHER		1				
056	418003-4	MOTOR BRACKET		1				
057	631620-5	MOTOR CONTROL UNIT		1	*			
057-1	620881-2	MOTOR CONTROL UNIT	<	1				
058	619143-3	ROTOR		1				
059	125396-9	CLUTCH ASS'Y I		1	*			
D10		INC. 36-47			*			
059-1	125396-9	CLUTCH ASS'Y I	O	1				
D10		INC. 36-47						
060	125231-1	GEAR ASS'Y E		1	*			
D10		INC. 48-56			*			
060-1	125231-1	GEAR ASS'Y E	O	1				
D10		INC. 48-56						
061	253777-8	FLAT WASHER 8		1				
062	154447-1	SPINDLE A COMPLETE		1				
063	213222-5	O RING 15		1				
064	285722-5	BEARING RETAINER 15-26		1				
065	631622-1	LED CIRCUIT		1				
066	418690-9	SWITCH COVER		1				
067	265171-2	PAN HEAD SCREW M4X8		2				
068	418686-0	LEAD HOLDER		1				
069	265145-3	+ PAN HEAD SCREW M4X22		4				
070	233025-1	COMPRESSION SPRING 2		1				
071	418002-6	SWITCH LEVER		1				
072	638184-0	SWITCH UNIT		1	*			

Please order the parts with part number.

Print Date 14/11/2021

Model No.DFL300F CORDLESS ANGLE SCREWDRIVER

Item	Parts No.	Description	I/C	Qty	New/Old	Opt. 1	Opt. 2	Note
072-1	632T52-9	SWITCH UNIT	O	1				
073	418201-0	F/R CHANGE LEVER		1				
074	232201-4	LEAF SPRING		1				
075	266130-9	TAPPING SCREW BIND PT 3X16		1				
076	418204-4	COVER		1				
077	638276-5	SWITCH UNIT		1	*			
077-1	632T56-1	SWITCH UNIT	O	1				
078	231397-8	COMPRESSION SPRING 4		1				
079	418203-6	SWITCH LEVER A		1				
080	638275-7	SWITCH UNIT		1	*			
080-1	632T55-3	SWITCH UNIT	O	1				
081	418202-8	SWITCH BASE		1				
082	631514-4	BUZZER CIRCUIT		1				
083	643828-9	TERMINAL		1				
084	187856-9	HOUSING SET		1				
D10		INC. 4,85						
085	819063-3	MAKITA LABEL		1				
086	265095-2	PAN HEAD SCREW M3X20		7				
A01	418743-4	PROTECTOR A(BLUE)		1				
A02	418746-8	PROTECTOR B		1				

Please order the parts with part number.

Print Date 14/11/2021