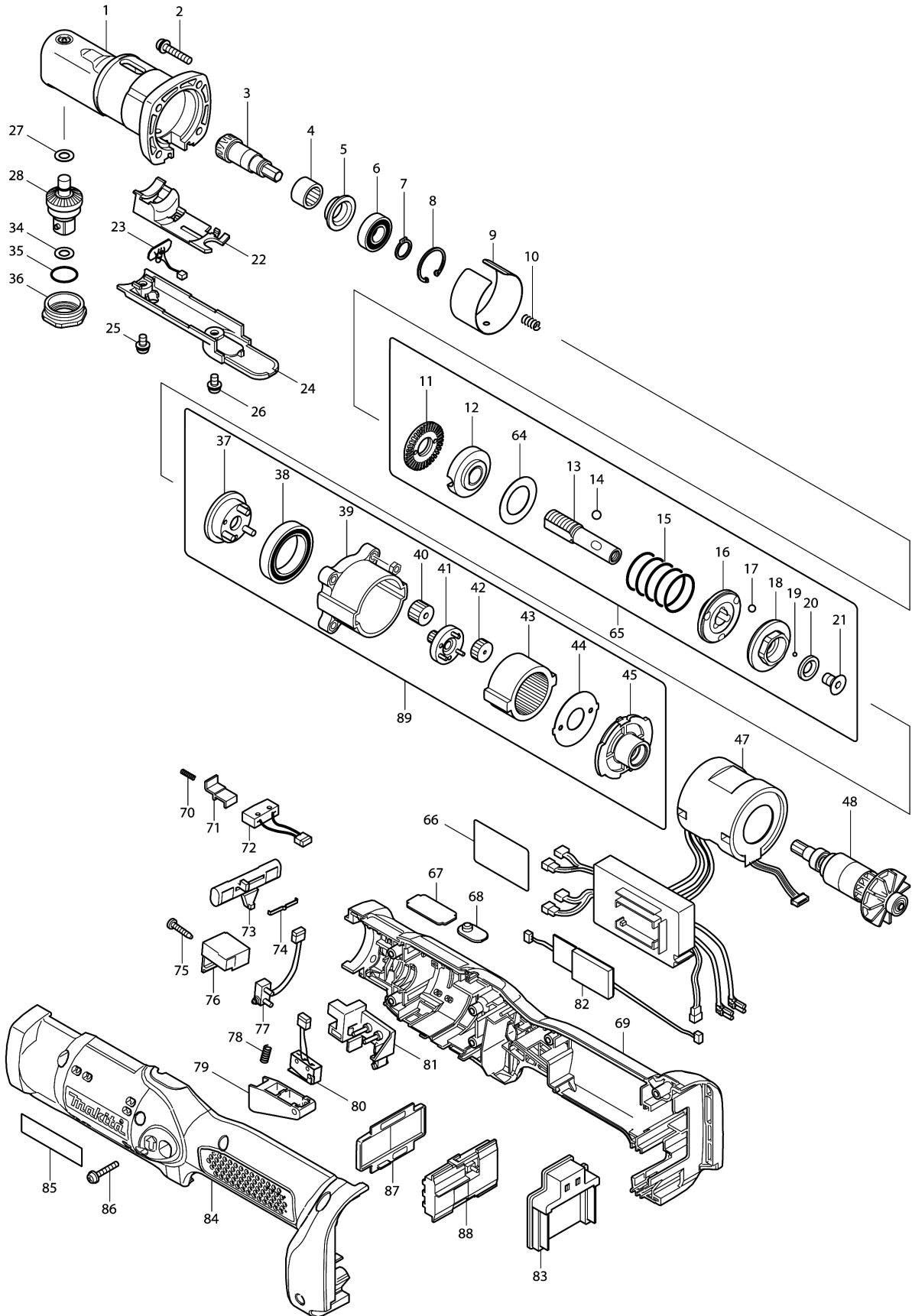


Model No.DFL201R CORDLESS ANGLE SCREWDRIVER



Model No.DFL201R CORDLESS ANGLE SCREWDRIVER

Item	Parts No.	Description	I/C	Qty	New/Old	Opt. 1	Opt. 2	Note
001	154494-2	ANGLE HEAD COMPLETE		1	*			
001-1	144082-3	ANGLE HEAD COMPLETE	S	1				
002	265145-3	+ PAN HEAD SCREW M4X22		4				
003	227469-5	SPIRAL BEVEL GEAR 9		1				
004	212123-4	NEEDLE BEARING 1210		1				
005	345281-2	SPACER		1				
006	210057-5	BALL BEARING 6900LLB		1				
007	961026-6	RETAINING RING S-10		1				
008	962112-6	RETAINING RING R-22		1				
009	345798-5	RING 38N		1				
010	233019-6	COMPRESSION SPRING 5		1				
011	324834-0	LOCK NUT M12		1				
012	158408-3	ADJUST RING COMPLETE		1				
013	324296-2	SPINDLE		1				
014	216018-3	STEEL BALL 5.0		3				
015	234029-6	COMPRESSION SPRING 19H		1				
016	223146-7	CAM D		1				
017	216024-8	STEEL BALL 4		3				
018	223139-4	CAM A		1				
019	216019-1	STEEL BALL 3		13				
020	267247-1	FLAT WASHER 7		1				
021	266305-0	TORX C.S HEAD SCREW M5X10		1				
022	418011-5	LIGHT HOLDER		1				
023	631764-1	LED CIRCUIT		1				
024	418005-0	LIGHT COVER		1				
025	265171-2	PAN HEAD SCREW M4X8		1				
026	265171-2	PAN HEAD SCREW M4X8		1				
027	253726-5	FLAT WASHER 6		1				
028	154725-9	SPINDLE A COMPLETE		1				
034	253842-3	FLAT WASHER 14		1				
035	213162-7	O RING 14		1				
036	285707-1	BEARING RETAINER 14-23		1	*			
036-1	285026-5	BEARING RETAINER 14-23	S	1	*			
036-2	285030-4	BEARING RETAINER 14-23	<	1				
037	153444-4	CARRIER COMPLETE B		1				
038	211375-4	BALL BEARING 6805LLB		1				
039	418004-2	GEAR CASE		1	*			
039-1	418004-2	GEAR CASE	O	1				
040	227052-8	SPUR GEAR 18		3				
041	153447-8	SPUR GEAR 9 COMPLETE A		1				
042	227049-7	SPUR GEAR 18		3				
043	227048-9	INTERNAL GEAR 47		1				

Please order the parts with part number.

Print Date 14/1/2022

Model No.DFL201R CORDLESS ANGLE SCREWDRIVER

Item	Parts No.	Description	I/C	Qty	New/Old	Opt. 1	Opt. 2	Note
044	267774-8	LOCK WASHER		1				
045	418003-4	MOTOR BRACKET		1				
047	631978-2	MOTOR CONTROL UNIT		1	*			
047-1	620868-4	MOTOR CONTROL UNIT	<	1				
048	619144-1	ROTOR		1				
064	267276-4	FLAT WASHER 18		1				
065	125377-3	CLUTCH ASS'Y N		1	*			
D10		INC. 11-21,64			*			
065-1	125377-3	CLUTCH ASS'Y N	O	1				
D10		INC. 11-21,64						
066	850N11-7	DFL201R NAME PLATE		1				
067	345795-1	PLATE N		1				
068	419832-8	LENS		1	*			
068-1	457975-8	LENS	<	1				
069	187859-3	HOUSING SET		1				
D10		INC. 84						
070	233025-1	COMPRESSION SPRING 2		1				
071	418002-6	SWITCH LEVER		1				
072	638184-0	SWITCH UNIT		1	*			
072-1	632T52-9	SWITCH UNIT	O	1				
073	418201-0	F/R CHANGE LEVER		1				
074	232201-4	LEAF SPRING		1				
075	266130-9	TAPPING SCREW BIND PT 3X16		1				
076	418204-4	COVER		1				
077	638276-5	SWITCH UNIT		1	*			
077-1	632T56-1	SWITCH UNIT	O	1				
078	231397-8	COMPRESSION SPRING 4		1				
079	418203-6	SWITCH LEVER A		1				
080	638275-7	SWITCH UNIT		1	*			
080-1	632T55-3	SWITCH UNIT	O	1				
081	418202-8	SWITCH BASE		1				
082	631983-9	POWER SUPPLY CIRCUIT		1				
083	643828-9	TERMINAL		1				
084	187859-3	HOUSING SET		1				
D10		INC. 69						
086	265095-2	PAN HEAD SCREW M3X20		7				
087	452188-6	COVER		1				
088	631717-0	RF UNIT		1				
089	125190-9	GEAR ASSEMBLY B		1	*			
D10		INC. 37-45			*			
089-1	125190-9	GEAR ASSEMBLY B	O	1				
D10		INC. 37-45						

Please order the parts with part number.

Print Date 14/1/2022

Model No.DFL201R CORDLESS ANGLE SCREWDRIVER

Item	Parts No.	Description	I/C	Qty	New/Old	Opt. 1	Opt. 2	Note
A01	418065-2	PROTECTOR(RED)		1				

Please order the parts with part number.

Print Date 14/1/2022