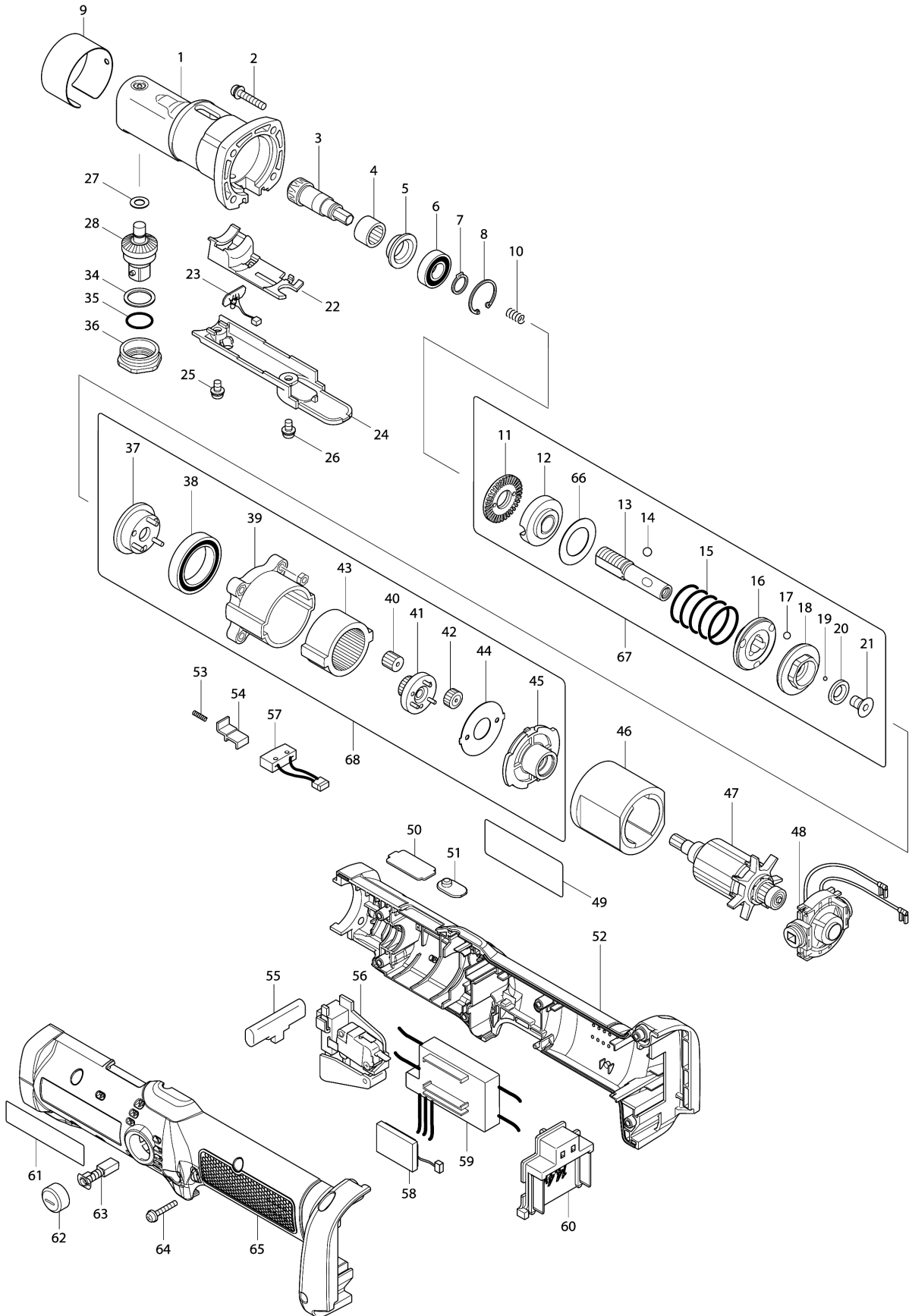


Model No.DFL082F CORDLESS ANGLE SCREWDRIVER



Model No.DFL082F CORDLESS ANGLE SCREWDRIVER

Item	Parts No.	Description	I/C	Qty	New/Old	Opt. 1	Opt. 2	Note
001	154494-2	ANGLE HEAD COMPLETE		1	*			
001-1	144082-3	ANGLE HEAD COMPLETE	S	1				
002	265145-3	+ PAN HEAD SCREW M4X22		4				
003	227469-5	SPIRAL BEVEL GEAR 9		1				
004	212123-4	NEEDLE BEARING 1210		1				
005	345281-2	SPACER		1				
006	210057-5	BALL BEARING 6900LLB		1				
007	961026-6	RETAINING RING S-10		1				
008	962112-6	RETAINING RING R-22		1				
009	345442-4	RING 38J		1				
010	233019-6	COMPRESSION SPRING 5		1				
011	324834-0	LOCK NUT M12		1				
012	158408-3	ADJUST RING COMPLETE		1				
013	324296-2	SPINDLE		1				
014	216018-3	STEEL BALL 5.0		3				
015	233358-4	COMPRESSION SPRING 19C		1				
016	223146-7	CAM D		1				
017	216024-8	STEEL BALL 4		3				
018	223143-3	CAM C		1				
019	216019-1	STEEL BALL 3		13				
020	267247-1	FLAT WASHER 7		1				
021	266305-0	TORX C.S HEAD SCREW M5X10		1				
022	418011-5	LIGHT HOLDER		1				
023	631513-6	LED CIRCUIT		1				
024	418005-0	LIGHT COVER		1				
025	265171-2	PAN HEAD SCREW M4X8		1				
026	265171-2	PAN HEAD SCREW M4X8		1				
027	253726-5	FLAT WASHER 6		1				
028	154725-9	SPINDLE A COMPLETE		1				
034	253842-3	FLAT WASHER 14		1				
035	213162-7	O RING 14		1				
036	285707-1	BEARING RETAINER 14-23		1	*			
036-1	285026-5	BEARING RETAINER 14-23	S	1	*			
036-2	285030-4	BEARING RETAINER 14-23	<	1				
037	153443-6	CARRIER COMPLETE A		1				
038	211375-4	BALL BEARING 6805LLB		1				
039	418004-2	GEAR CASE		1				
040	227050-2	SPUR GEAR 13		3				
041	153684-4	SPUR GEAR 20 COMPLETE C		1				
042	227104-5	SPUR GEAR 15		3				
043	227048-9	INTERNAL GEAR 47		1				
044	267774-8	LOCK WASHER		1				

Please order the parts with part number.

Print Date 26/3/2020

Model No.DFL082F CORDLESS ANGLE SCREWDRIVER

Item	Parts No.	Description	I/C	Qty	New/Old	Opt. 1	Opt. 2	Note
045	418003-4	MOTOR BRACKET		1				
046	638183-2	YOKE UNIT		1				
047	619316-8	ARMATURE		1				
048	638928-8	ENDBELL COMPLETE		1				
C10	688172-7	LINE FILTER		1				
049	851B61-3	DFL082F NAME PLATE		1				
050	345282-0	PLATE A		1				
051	419832-8	LENS		1	*			
051-1	457975-8	LENS	<	1				
052	187487-4	HOUSING SET		1				
D10		INC. 61,65						
053	233025-1	COMPRESSION SPRING 2		1				
054	418002-6	SWITCH LEVER		1				
055	417511-2	F/R CHANGE LEVER		1				
056	650536-5	SWITCH C3Z-5-01		1				
057	638184-0	SWITCH UNIT		1				
058	631514-4	BUZZER CIRCUIT		1				
059	632A43-6	CONTROLLER UNIT		1	*			
C10	688164-6	LINE FILTER		1	*			
059-1	632M45-4	CONTROLLER UNIT	<	1				
C10	688164-6	LINE FILTER		1				
060	643828-9	TERMINAL		1				
061	819284-7	MAKITA LOGO LABEL		1				
062	643933-2	BRUSH HOLDER CAP		2				
063	193466-2	CARBON BRUSH CB-434		1				
064	265095-2	PAN HEAD SCREW M3X20		6				
065	187487-4	HOUSING SET		1				
D10		INC. 52,61						
066	267276-4	FLAT WASHER 18		1				
067	125395-1	CLUTCH ASS'Y H		1	*			
D10		INC. 11-21,66			*			
067-1	125395-1	CLUTCH ASS'Y H	O	1				
D10		INC. 11-21,66						
068	125231-1	GEAR ASS'Y E		1				
D10		INC. 37-45						
A01	765027-4	TORQUE ADJUST TOOL		1	*			

Please order the parts with part number.

Print Date 26/3/2020