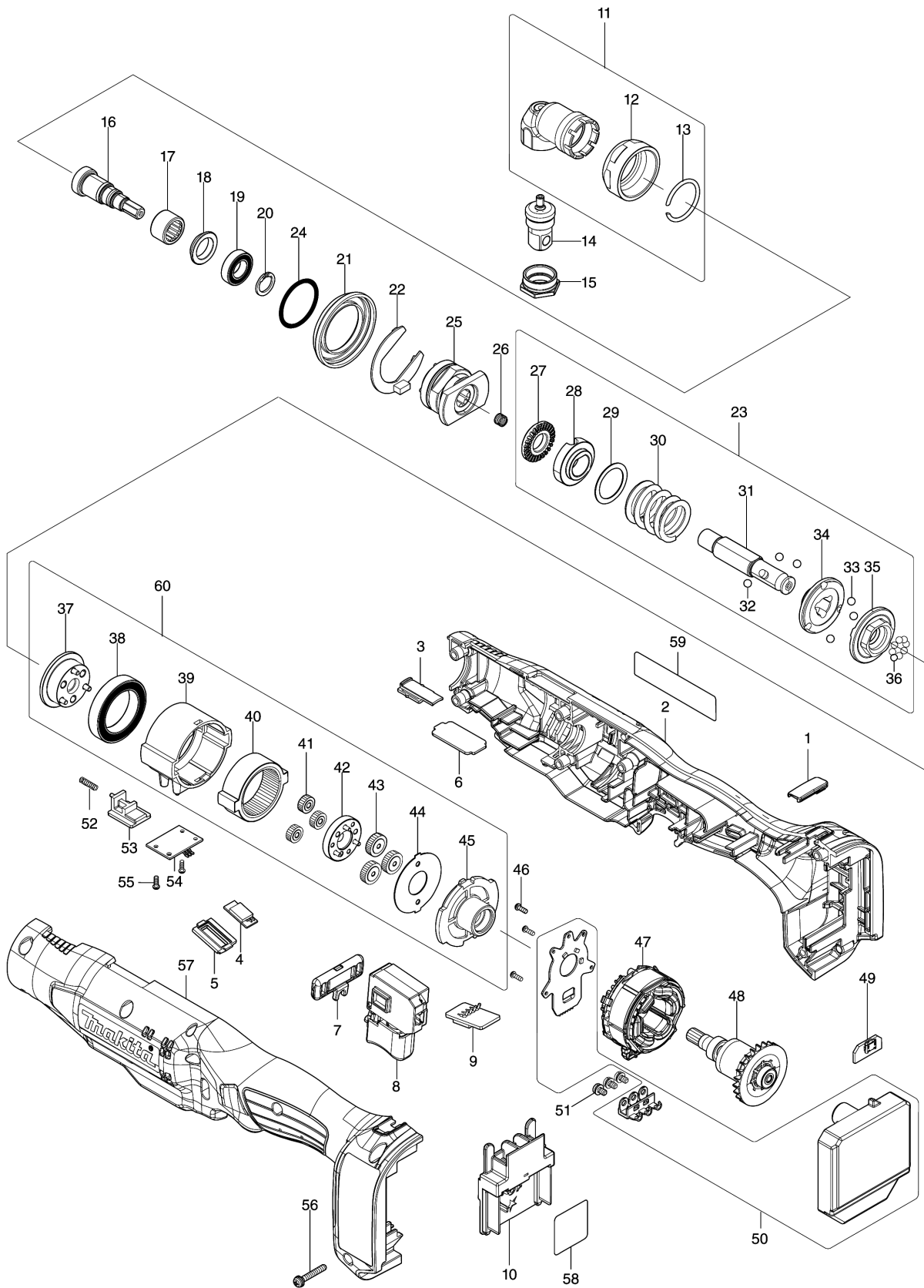


Model No.DFL063F CORDLESS ANGLE SCREWDRIVER



Model No.DFL063F CORDLESS ANGLE SCREWDRIVER

Item	Parts No.	Description	I/C	Qty	New/Old	Opt. 1	Opt. 2	Note
001	424827-8	USB COVER		1				
002	183L93-5	HOUSING SET		1				
C10	263005-3	RUBBER PIN 6		2				
C20	931002-4	HEX. NUT M3		8				
D10		INC. 57						
003	457526-7	CHANGE PLATE		1				
004	620B13-3	LED CIRCUIT		1				
005	459491-6	LENS		1				
006	347538-7	PLATE R		1				
007	459492-4	F/R CHANGE LEVER		1				
008	651082-1	SWITCH C3JW-1B-S		1				
009	620621-8	BUZZER CIRCUIT		1				
010	643860-3	TERMINAL		1				
011	127321-6	ANGLE HEAD ASSEMBLY		1				
D10		INC. 12,13						
012	327370-5	LOCK NUT		1				
013	233924-7	RING SPRING 21		1				
014	140L66-1	SPINDLE A COMPLETE		1				
015	285035-4	BEARING RETAINER 13-18		1				
016	226902-4	SPIRAL BEVEL GEAR 15A		1				
017	212123-4	NEEDLE BEARING 1210		1				
018	327371-3	SPACER		1				
019	210076-1	BALL BEARING 6800LLB		1				
020	961026-6	RETAINING RING S-10		1				
021	459490-8	LED LENS		1				
022	620B14-1	INDICATION CIRCUIT		1				
023	127322-4	CLUTCH ASSEMBLY V		1				
D10		INC. 27-36						
024	213987-9	O-RING 25		1				
025	140L67-9	BEARING BOX COMPLETE		1				
026	233019-6	COMPRESSION SPRING 5		1				
027	326953-8	LOCK NUT M12		1				
028	144421-7	ADJUST RING COMPLETE		1				
029	253391-0	FLAT WASHER 18		1				
030	232539-7	COMPRESSION SPRING 18C		1				
031	327367-4	SPINDLE		1				
032	216024-8	STEEL BALL 4		3				
033	216024-8	STEEL BALL 4		3				
034	223185-7	CAM A		1				
035	223186-5	CAM B		1				
036	216001-0	STEEL BALL 3.5		8				
037	144424-1	CARRIER COMPLETE B		1				

Model No.DFL063F CORDLESS ANGLE SCREWDRIVER

Item	Parts No.	Description	I/C	Qty	New/Old	Opt. 1	Opt. 2	Note
038	211375-4	BALL BEARING 6805LLB		1				
039	459489-3	GEAR CASE		1				
040	221546-5	INTERNAL GEAR 47		1				
041	221543-1	SPUR GEAR 13		3				
042	144422-5	SPUR GEAR 20 COMPLETE		1				
043	221544-9	SPUR GEAR 18		3				
044	267774-8	LOCK WASHER		1				
045	418003-4	MOTOR BRACKET		1				
046	266490-9	TAPPING SCREW PT 2X6		3				
047	629261-9	STATOR		1				
048	619440-7	ROTOR		1				
049	620B15-9	USB CIRCUIT		1				
050	620B12-5	CONTROLLER		1				
051	652069-6	FLAT HEAD SCREW M3X6		3				
052	233025-1	COMPRESSION SPRING 2		1				
053	140L65-3	SWITCH LEVER COMPLETE		1				
054	620B16-7	SENSOR CIRCUIT		1				
055	266490-9	TAPPING SCREW PT 2X6		2				
056	251581-9	PAN HEAD SCREW M3X20		8				
057	183L93-5	HOUSING SET		1				
C10	263005-3	RUBBER PIN 6		2				
C20	931002-4	HEX. NUT M3		8				
D10		INC. 2						
058	855X23-5	DFL063F SERIAL NO. LABEL		1				
059	855X17-0	DFL063F NAME PLATE		1				
060	127330-5	GEAR ASSEMBLY M		1				
D10		INC. 37-45						

Please order the parts with part number.

Print Date 7/9/2020