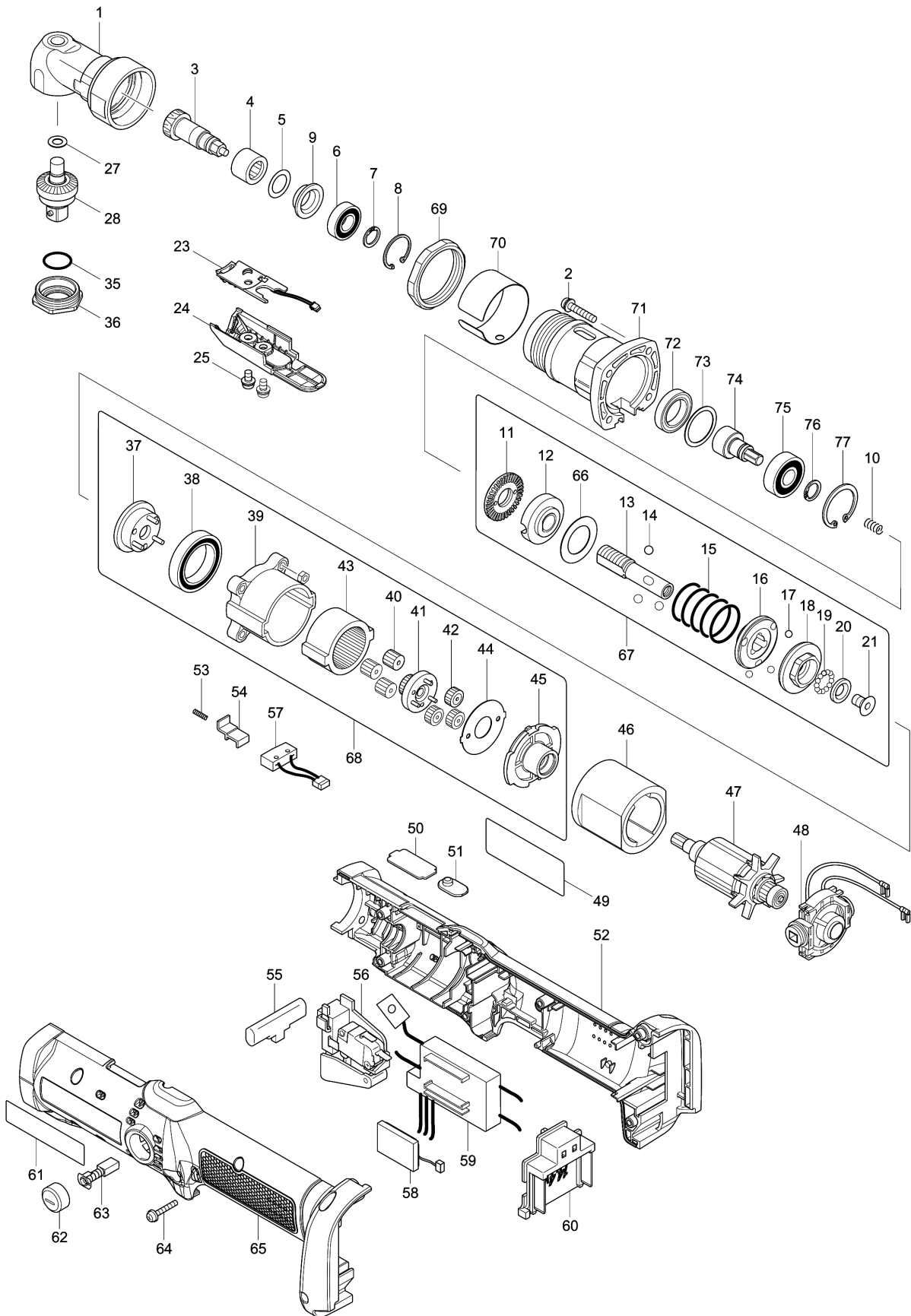


Model No.DFL062F CORDLESS ANGLE SCREWDRIVER



Model No.DFL062F CORDLESS ANGLE SCREWDRIVER

Item	Parts No.	Description	I/C	Qty	New/Old	Opt. 1	Opt. 2	Note
001	144572-6	ANGLE HEAD COMPLETE		1	*			
001-1	126725-9	ANGLE HEAD ASSEMBLY	X	1				
C10	144572-6	ANGLE HEAD COMPLETE		1	*			
C11	144970-4	ANGLE HEAD COMPLETE	O	1				
D10		INC. 3-9,27,28,35,36,69,71-77						
002	265145-3	+ PAN HEAD SCREW M4X22		4				
003	227478-4	SPIRAL BEVEL GEAR 9		1				
004	212122-6	NEEDLE BEARING 1212		1				
005	253312-2	THIN WASHER 12		1				
006	210057-5	BALL BEARING 6900LLB		1				
007	961026-6	RETAINING RING S-10		1				
008	962102-9	RETAINING RING R-22		1				
009	345281-2	SPACER		1				
010	233019-6	COMPRESSION SPRING 5		1				
011	324834-0	LOCK NUT M12		1				
012	158408-3	ADJUST RING COMPLETE		1				
013	324296-2	SPINDLE		1				
014	216018-3	STEEL BALL 5.0		3				
015	233385-1	COMPRESSION SPRING 19D		1				
016	223146-7	CAM D		1				
017	216024-8	STEEL BALL 4		3				
018	223143-3	CAM C		1				
019	216019-1	STEEL BALL 3		13				
020	267247-1	FLAT WASHER 7		1				
021	266305-0	TORX C.S HEAD SCREW M5X10		1				
023	620396-9	LED CIRCUIT		1				
024	457976-6	SWITCH COVER		1				
025	265171-2	PAN HEAD SCREW M4X8		2				
027	253777-8	FLAT WASHER 8		1				
028	154447-1	SPINDLE A COMPLETE		1				
035	213222-5	O RING 15		1				
036	285722-5	BEARING RETAINER 15-26		1				
037	153443-6	CARRIER COMPLETE A		1				
038	211375-4	BALL BEARING 6805LLB		1				
039	418004-2	GEAR CASE		1				
C10	931102-0	HEX. NUT M4		4				
040	227050-2	SPUR GEAR 13		3				
041	153445-2	SPUR GEAR 20 COMPLETE A		1				
042	227049-7	SPUR GEAR 18		3				
043	227048-9	INTERNAL GEAR 47		1				
044	267774-8	LOCK WASHER		1				
045	418003-4	MOTOR BRACKET		1				

Please order the parts with part number.

Print Date 26/3/2020

Model No.DFL062F CORDLESS ANGLE SCREWDRIVER

Item	Parts No.	Description	I/C	Qty	New/Old	Opt. 1	Opt. 2	Note
046	638183-2	YOKE UNIT		1				
047	619314-2	ARMATURE		1				
048	638928-8	ENDBELL COMPLETE		1				
C10	688172-7	LINE FILTER		1				
049	853G34-2	DFL062F NAME PLATE		1				
050	345866-4	PLATE Q		1				
051	457975-8	LENS		1				
052	187487-4	HOUSING SET		1				
C10	931002-4	HEX. NUT M3		6				
D10		INC. 61,65						
053	233025-1	COMPRESSION SPRING 2		1				
054	418002-6	SWITCH LEVER		1				
055	417511-2	F/R CHANGE LEVER		1				
056	650536-5	SWITCH C3Z-5-01		1				
057	638184-0	SWITCH UNIT		1				
058	631514-4	BUZZER CIRCUIT		1				
059	632K52-5	CONTROLLER UNIT		1	*			
C10	688164-6	LINE FILTER		1	*			
059-1	632M33-1	CONTROLLER UNIT	<	1				
C10	688164-6	LINE FILTER		1				
060	643828-9	TERMINAL		1				
061	819284-7	MAKITA LOGO LABEL		1				
062	643933-2	BRUSH HOLDER CAP		2				
063	193466-2	CARBON BRUSH CB-434		1				
064	251581-9	PAN HEAD SCREW M3X20		6				
065	187487-4	HOUSING SET		1				
C10	931002-4	HEX. NUT M3		6				
D10		INC. 52,61						
066	267276-4	FLAT WASHER 18		1				
067	125391-9	CLUTCH ASS'Y D		1	*			
D10		INC. 11-21,66			*			
067-1	125391-9	CLUTCH ASS'Y D	O	1				
D10		INC. 11-21,66						
068	125189-4	GEAR ASSEMBLY A		1				
D10		INC. 37-45						
069	252187-6	HEX. NUT M36-41		1				
070	347266-4	RING 38S		1				
071	317808-8	CLUTCH CASE		1				
072	211283-9	BALL BEARING 6803ZZ		1				
073	267283-7	FLAT WASHER 21		1				
074	326992-8	SPINDLE B		1				
075	211088-7	BALL BEARING 6000DDW		1				

Model No.DFL062F CORDLESS ANGLE SCREWDRIVER

Item	Parts No.	Description	I/C	Qty	New/Old	Opt. 1	Opt. 2	Note
076	961026-6	RETAINING RING S-10		1				
077	962105-3	RETAINING RING R-26		1				

Please order the parts with part number.

Print Date 26/3/2020