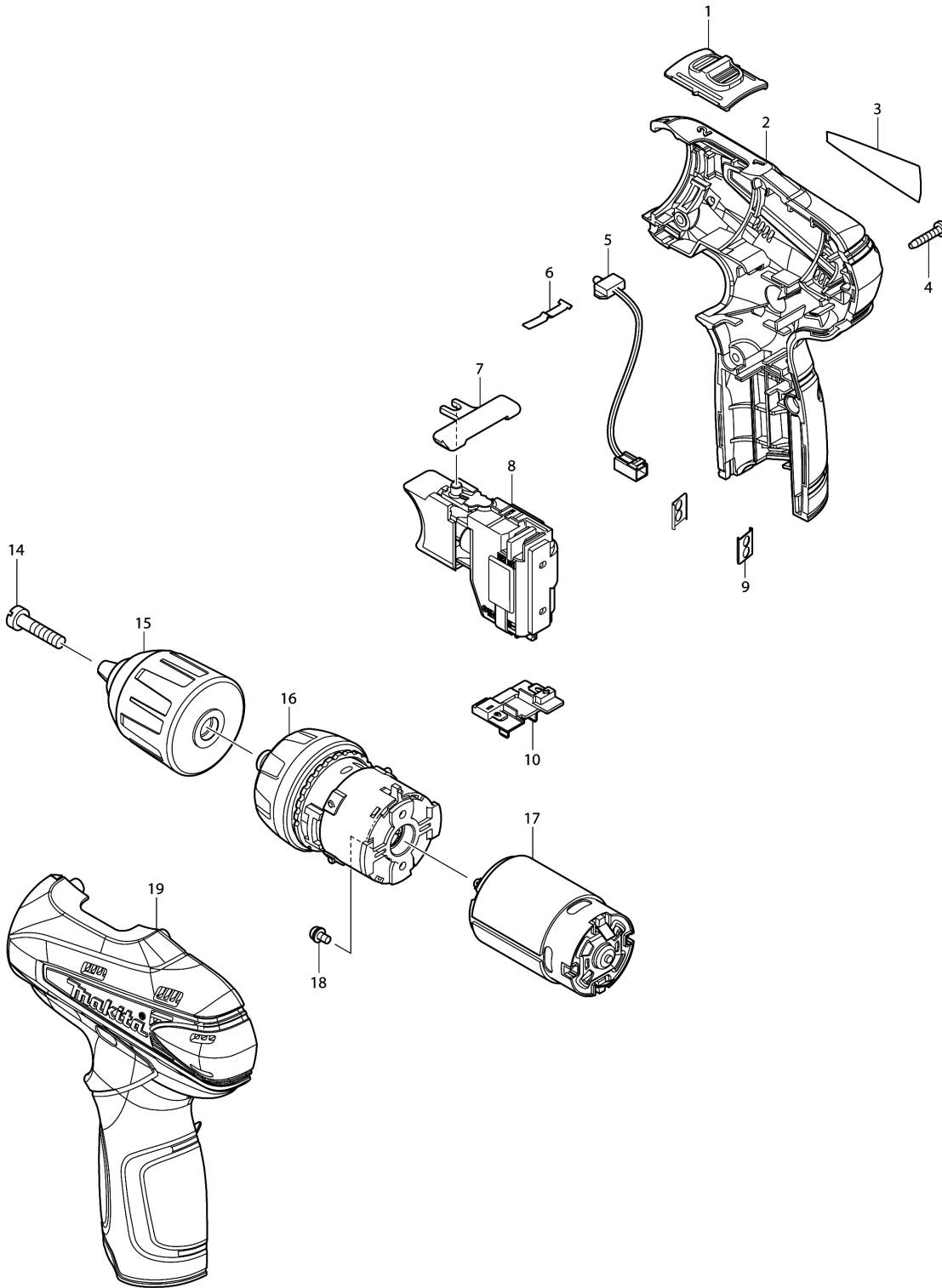


Model No.DF330D CORDLESS DRIVER DRILL



Model No.DF330D CORDLESS DRIVER DRILL

Item	Parts No.	Description	I/C	Qty	New/Old	Opt. 1	Opt. 2	Note
001A	125461-4	SPEED CHANGE LEVER ASSEMBLY		1	*			
C10	231433-0	COMPRESSION SPRING 4		2	*			
001B	125461-4	SPEED CHANGE LEVER ASSEMBLY		1	*			
C10	231433-0	COMPRESSION SPRING 4		2	*			
001D	125461-4	SPEED CHANGE LEVER ASSEMBLY		1	*			
C10	231433-0	COMPRESSION SPRING 4		2	*			
001-1A	126233-0	SPEED CHANGE LEVER ASSEMBLY	<	1				
C10	231433-0	COMPRESSION SPRING 4		2				
001-1B	126233-0	SPEED CHANGE LEVER ASSEMBLY	<	1				
C10	231433-0	COMPRESSION SPRING 4		2				
001-1D	126233-0	SPEED CHANGE LEVER ASSEMBLY	<	1				
C10	231433-0	COMPRESSION SPRING 4		2				
001-1E	126233-0	SPEED CHANGE LEVER ASSEMBLY		1				
C10	231433-0	COMPRESSION SPRING 4		2				
001-1F	126233-0	SPEED CHANGE LEVER ASSEMBLY		1				
C10	231433-0	COMPRESSION SPRING 4		2				
001-1H	126233-0	SPEED CHANGE LEVER ASSEMBLY		1				
C10	231433-0	COMPRESSION SPRING 4		2				
002A	188498-2	HOUSING SET		1	*			
D10		INC. 19			*			
002B	188498-2	HOUSING SET		1	*			
D10		INC. 19			*			
002D	188498-2	HOUSING SET		1	*			
D10		INC. 19			*			
002-1A	187147-8	HOUSING SET	X	1	*			
D10		INC. 19			*			
002-1B	187147-8	HOUSING SET	X	1	*			
D10		INC. 19			*			
002-1D	187147-8	HOUSING SET	X	1	*			
D10		INC. 19			*			
002-1H	187409-4	HOUSING SET		1				
D10		INC. 19						
002-2A	187359-3	HOUSING SET	O	1				
D10		INC. 19						
002-2B	187359-3	HOUSING SET	O	1				
D10		INC. 19						
002-2D	187359-3	HOUSING SET	O	1				
D10		INC. 19						

Model No.DF330D CORDLESS DRIVER DRILL

Item	Parts No.	Description	I/C	Qty	New/Old	Opt. 1	Opt. 2	Note
002-2E	187359-3	HOUSING SET		1				
D10		INC. 19						
002-2F	187359-3	HOUSING SET		1				
D10		INC. 19						
003	866201-8	DF330D NAME PLATE		1				
004	266130-9	TAPPING SCREW BIND PT 3X16		6				
005A	631813-4	LED CIRCUIT		1	*			
005B	631813-4	LED CIRCUIT		1	*			
006	232239-9	LEAF SPRING		1				
007	450504-6	F/R CHANGE LEVER		1				
008A	650599-1	SWITCH C3HY-1A-LM		1	*			
008B	650599-1	SWITCH C3HY-1A-LM		1	*			
008-1A	650645-0	SWITCH C3HY-1A-LF1M	<	1	*			
008-1B	650645-0	SWITCH C3HY-1A-LF1M	<	1	*			
008-1D	650645-0	SWITCH C3HY-1A-LF1M		1	*			
008-2A	650699-7	SWITCH C3HW-3A-LF1M	X	1				
008-2B	650699-7	SWITCH C3HW-3A-LF1M	X	1				
008-2D	650699-7	SWITCH C3HW-3A-LF1M	X	1				
008-2E	650699-7	SWITCH C3HW-3A-LF1M		1				
008-2F	650699-7	SWITCH C3HW-3A-LF1M		1				
008-2H	650699-7	SWITCH C3HW-3A-LF1M		1				
009	345998-7	SET PLATE		2				
010	643830-2	TERMINAL		1				
014	251451-2	- PAN HEAD SCREW M5X22		1				
015A	766007-3	KEYLESS DRILL CHUCK 10		1	*			
015B	766007-3	KEYLESS DRILL CHUCK 10		1	*			
015D	766007-3	KEYLESS DRILL CHUCK 10		1	*			
015E	766007-3	KEYLESS DRILL CHUCK 10		1	*			
015F	766007-3	KEYLESS DRILL CHUCK 10		1	*			
015-1A	763228-8	KEYLESS DRILL CHUCK 10	<	1				
015-1B	763228-8	KEYLESS DRILL CHUCK 10	<	1				
015-1D	763228-8	KEYLESS DRILL CHUCK 10	<	1				
015-1E	763228-8	KEYLESS DRILL CHUCK 10	<	1				
015-1F	763228-8	KEYLESS DRILL CHUCK 10	<	1				
015-1H	763228-8	KEYLESS DRILL CHUCK 10		1				
016	125539-3	GEAR ASS'Y		1	*			
016-1	123503-8	GEAR ASS'Y	O	1	*			
016-2	127099-1	GEAR ASSEMBLY	<	1				
017	629853-4	DC MOTOR		1				
018	911003-8	PAN HEAD SCREW M3X6		2				
019A	188498-2	HOUSING SET		1	*			
D10		INC. 2			*			

Please order the parts with part number.

Print Date 26/3/2020

Model No.DF330D CORDLESS DRIVER DRILL

Item	Parts No.	Description	I/C	Qty	New/Old	Opt. 1	Opt. 2	Note
019B	188498-2	HOUSING SET		1	*			
D10		INC. 2			*			
019D	188498-2	HOUSING SET		1	*			
D10		INC. 2			*			
019-1A	187147-8	HOUSING SET	X	1	*			
D10		INC. 2			*			
019-1B	187147-8	HOUSING SET	X	1	*			
D10		INC. 2			*			
019-1D	187147-8	HOUSING SET	X	1	*			
D10		INC. 2			*			
019-1H	187409-4	HOUSING SET		1				
D10		INC. 2						
019-2A	187359-3	HOUSING SET	O	1				
D10		INC. 2						
019-2B	187359-3	HOUSING SET	O	1				
D10		INC. 2						
019-2D	187359-3	HOUSING SET	O	1				
D10		INC. 2						
019-2E	187359-3	HOUSING SET		1				
D10		INC. 2						
019-2F	187359-3	HOUSING SET		1				
D10		INC. 2						
020	533020-4	LEAD ASS'Y		1				
021	533019-9	LEAD ASS'Y		1				
A01A	168467-9	HOLSTER		1				
A01B	168467-9	HOLSTER		1				
A01E	168467-9	HOLSTER		1				
A01F	168467-9	HOLSTER		1				
A02A	***DC10WA	DC10WA BATTERY CHARGER		1				
A02B	***DC10WA	DC10WA BATTERY CHARGER		1				
A02E	***DC10WA	DC10WA BATTERY CHARGER		1				
A02F	***DC10WA	DC10WA BATTERY CHARGER		1				
A02H	***DC10WA	DC10WA BATTERY CHARGER		1				
A03A	194550-6	BATTERY BL1013 SET		2	*			
A03B	194550-6	BATTERY BL1013 SET		2	*			
A03E	194550-6	BATTERY BL1013 SET		2	*			
A03F	194550-6	BATTERY BL1013 SET		3	*			
A03H	194550-6	BATTERY BL1013 SET		1	*			
A03-1A	196066-7	BATTERY BL1013 SET	O	2				
A03-1B	196066-7	BATTERY BL1013 SET	O	2				
A03-1E	196066-7	BATTERY BL1013 SET	O	2				
A03-1F	196066-7	BATTERY BL1013 SET	O	3				

Please order the parts with part number.

Print Date 26/3/2020

Model No.DF330D CORDLESS DRIVER DRILL

Item	Parts No.	Description	I/C	Qty	New/Old	Opt. 1	Opt. 2	Note
A03-1H	196066-7	BATTERY BL1013 SET	O	1				
A04	784244-7	+ BIT 2-50		1				
A05A	824781-0	PLASTIC CASE		1				
A05B	824842-6	PLASTIC CARRYING CASE		1	*			
C10	417724-5	LATCH		2	*			
A05E	824781-0	PLASTIC CASE		1				
A05F	824781-0	PLASTIC CASE		1				
A05H	831294-4	TOOL BAG		1				
A05-1B	141104-0	PLASTIC CARRYING CASE COMPLETE	<	1				
C10	417724-5	LATCH		2				
A06A	824842-6	PLASTIC CARRYING CASE		1	*			
C10	417724-5	LATCH		2	*			
A06B	DEZML100	RECHARGEABLE FLASH LIGHT(BULK)		1				
A06E	821549-5	CONNECTOR PLASTIC CASE (TYPE1)		1	*			
C10	453974-8	LATCH		4	*			
A06F	824842-6	PLASTIC CARRYING CASE		1	*			
C10	417724-5	LATCH		2	*			
A06-1A	141104-0	PLASTIC CARRYING CASE COMPLETE	<	1				
C10	417724-5	LATCH		2				
A06-1E	821549-5	CONNECTOR PLASTIC CASE (TYPE1)	<	1				
C10	453974-8	LATCH		4				
A06-1F	141104-0	PLASTIC CARRYING CASE COMPLETE	<	1				
C10	417724-5	LATCH		2				
A07E	837663-7	INNER TRAY		1	*			
A07-1E	837866-3	INNER TRAY	<	1				
A08E	800X96-3	DF330DWJ INDICATION LABEL		1				
A09E	800X97-1	DF330DWJ PLASTIC CASE LABEL		2				
E01A	638929-6	LINE FILTER UNIT		1				
E01B	638929-6	LINE FILTER UNIT		1				
E01D	638929-6	LINE FILTER UNIT		1				
E01E	638929-6	LINE FILTER UNIT		1				
E01F	638929-6	LINE FILTER UNIT		1				
E01H	638929-6	LINE FILTER UNIT		1				

Please order the parts with part number.

Print Date 26/3/2020