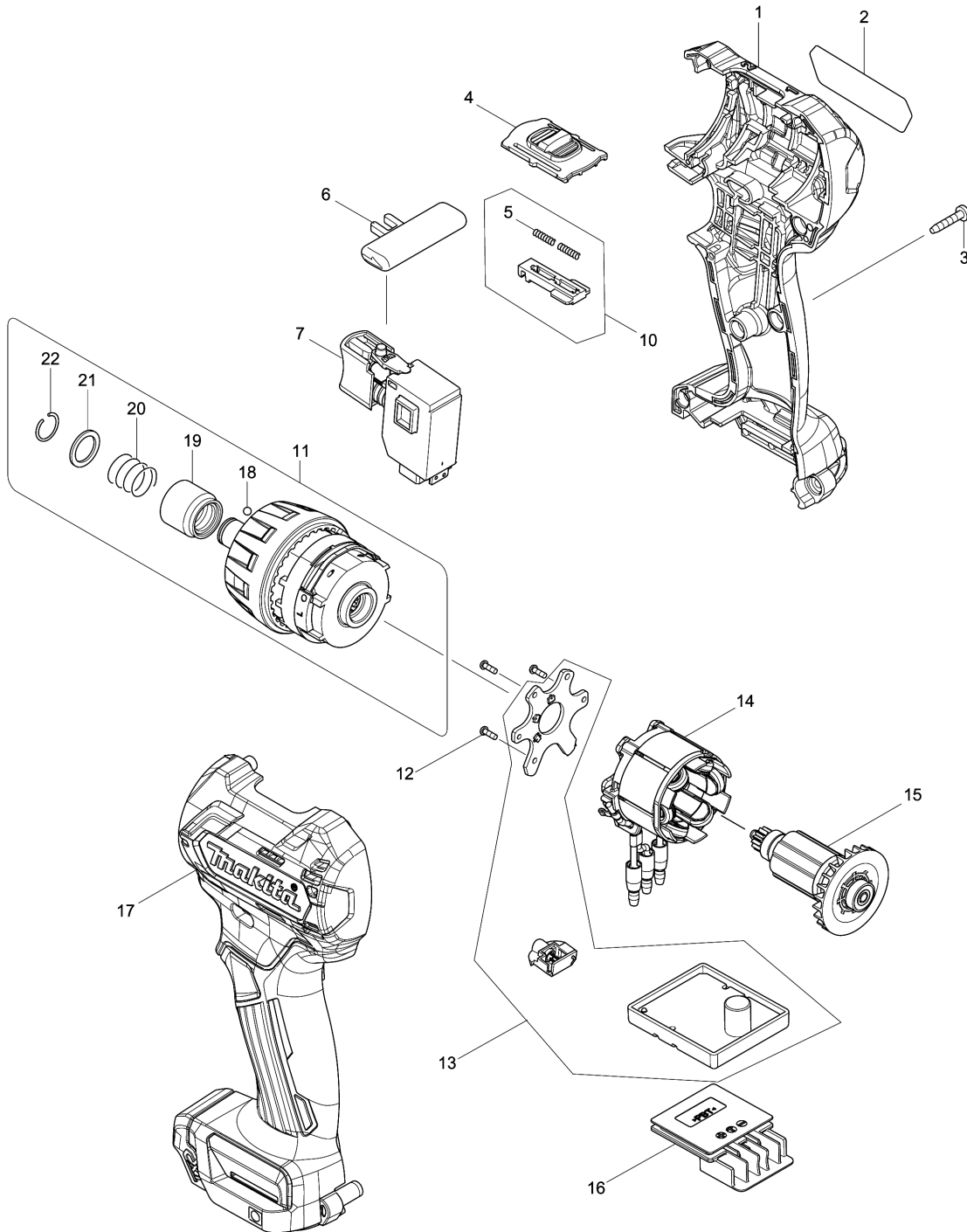


Model No.DF032D CORDLESS DRIVER DRILL



Model No.DF032D CORDLESS DRIVER DRILL

Item	Parts No.	Description	I/C	Qty	New/Old	Opt. 1	Opt. 2	Note
001	183C34-7	HOUSING SET		1				
D10		INC. 17						
002	851U10-4	DF032D NAME PLATE		1	*			
002-1	851U09-9	DF032D NAME PLATE	<	1				
003	266429-2	TAPPING SCREW 3X16		8				
004	456532-9	SPEED CHANGE LEVER		1				
005	233025-1	COMPRESSION SPRING 2		2				
006	419041-9	F/R CHANGE LEVER		1				
007	650689-0	SWITCH C3JW-2B		1				
010	123587-6	CHANGE LEVER ASS'Y		1				
D10		INC. 5						
011	123550-9	GEAR ASSEMBLY		1	*			
D10		INC. 18-22			*			
011-1	123869-6	GEAR ASSEMBLY N	O	1	*			
D10		INC. 18-22			*			
011-2	127599-1	GEAR ASSEMBLY M	<	1				
D10		INC. 18-22						
012	266490-9	TAPPING SCREW PT 2X6		3				
013	620487-6	CONTROLLER		1	*			
013-1	620487-6	CONTROLLER	O	1	*			
C10	620553-9	LED CIRCUIT		1	*			
013-2	620B33-7	CONTROLLER	<	1				
C10	620553-9	LED CIRCUIT		1				
014	629178-6	STATOR		1				
015	619393-0	ROTOR		1	*			
015-1	619410-6	ROTOR	O	1	*			
015-2	619410-6	ROTOR	O	1				
016	644813-5	TERMINAL		1				
017	183C34-7	HOUSING SET		1				
D10		INC. 1						
018	216019-1	STEEL BALL 3		2				
019	326677-6	BIT SLEEVE		1				
020	233005-7	COMPRESSION SPRING 13		1				
021	347004-4	BIT WASHER		1				
022	231965-7	RING SPRING 10		1				
A01	251314-2	+ SCREW M4X12		1				
A02	346909-5	HOOK		1				
A03	784244-7	+ BIT 2-50		1				
A04B	456128-6	BATTERY COVER		1				
A04C	456128-6	BATTERY COVER		1				
A05B	***DC10SA	DC10SA BATTERY CHARGER		1	*			
D10		COMPO-PARTS			*			

Please order the parts with part number.

Print Date 26/3/2020

Model No.DF032D CORDLESS DRIVER DRILL

Item	Parts No.	Description	I/C	Qty	New/Old	Opt. 1	Opt. 2	Note
A05C	***DC10SA	DC10SA BATTERY CHARGER		1	*			
D10		COMPO-PARTS			*			
A05-1B	***DC10SB	DC10SB BATTERY CHARGER	<	1				
D10		COMPO-PARTS						
A05-1C	***DC10SB	DC10SB BATTERY CHARGER	<	1				
D10		COMPO-PARTS						
A06B	197394-3	BATTERY BL1020B SET		2	*			
A06C	197402-0	BATTERY BL1040B SET		2	*			
A06-1B	197396-9	BATTERY BL1021B SET	<	2	*			
A06-1C	197406-2	BATTERY BL1041B SET	<	2	*			
A06-2B	197396-9	BATTERY BL1021B SET	O	2				
A06-2C	197406-2	BATTERY BL1041B SET	O	2				
A07B	784244-7	+ BIT 2-50		1				
A07C	784244-7	+ BIT 2-50		1				
A08B	821549-5	CONNECTOR PLASTIC CASE (TYPE1)		1				
C10	453974-8	LATCH		4				
A08C	821549-5	CONNECTOR PLASTIC CASE (TYPE1)		1				
C10	453974-8	LATCH		4				
A09B	838312-9	INNER TRAY		1				
A09C	838312-9	INNER TRAY		1				
A10B	808J08-6	DF032DSAJ INDICATION LABEL		1				
A10C	808J10-9	DF032DSMJ INDICATION LABEL		1				
A11B	808J09-4	DF032DSAJ PLASTIC CASE LABEL		2				
A11C	808J11-7	DF032DSMJ PLASTIC CASE LABEL		2				

Please order the parts with part number.

Print Date 26/3/2020