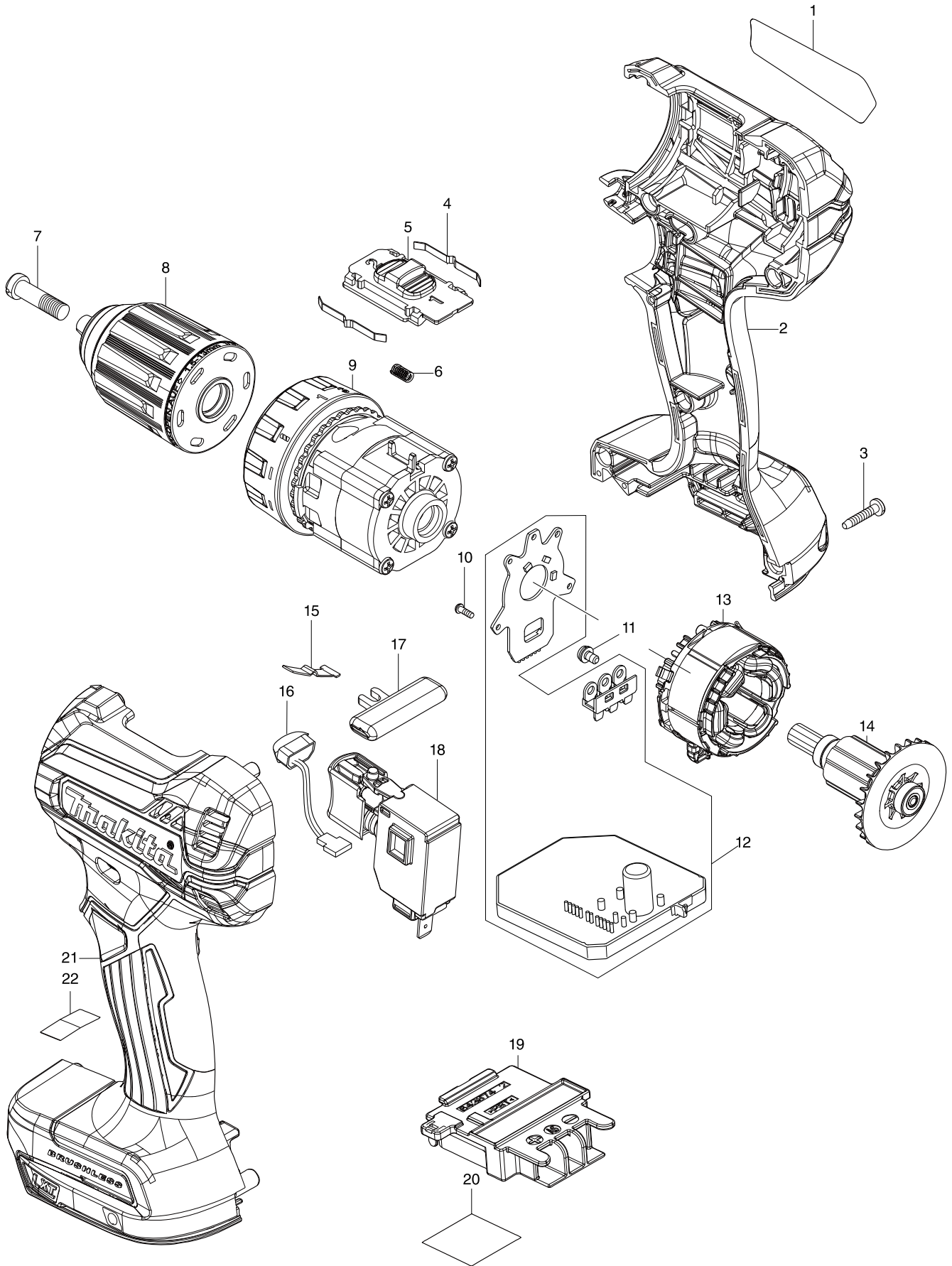


Model No. DDF485 CORDLESS DRIVER DRILL



Model No. DDF485 CORDLESS DRIVER DRILL

| Item | Parts No. | Description | I/C | Qty | N/O | Opt. 1 | Opt. 2 | Note |
|------|-----------|--------------------------------|-----|-----|-----|--------|--------|------|
| 001 | 854U26-8 | DDF485 NAME PLATE | | 1 | | | | |
| 002 | 183K32-9 | HOUSING SET | | 1 | | | | |
| C10 | 263005-3 | RUBBER PIN 6 | | 2 | | | | |
| C20 | 252126-6 | HEX. LOCKING NUT M4-7 | | 2 | | | | |
| D10 | | INC. 21 | | | | | | |
| 003 | 266429-2 | TAPPING SCREW 3X16 | | 8 | | | | |
| 004 | 232220-0 | LEAF SPRING | | 2 | | | | |
| 005 | 458671-1 | SPEED CHANGE LEVER | | 1 | | | | |
| 006 | 233438-6 | COMPRESSION SPRING 4 | | 1 | | | | |
| 007 | 251468-5 | - FLAT HEAD SCREW M6X22 | | 1 | | | | |
| 008 | 766027-7 | KEYLESS DRILL CHUCK 13 | | 1 | | | | |
| 009 | 126962-5 | GEAR ASSEMBLY | | 1 | | | | |
| 010 | 266490-9 | TAPPING SCREW PT 2X6 | | 3 | | | | |
| 011 | 652069-6 | FLAT HEAD SCREW M3X6 | | 3 | | | | |
| 012 | 620964-8 | CONTROLLER | | 1 | | | | |
| 013 | 629372-0 | STATOR | | 1 | | | | |
| 014 | 619533-0 | ROTOR | | 1 | | | | |
| 015 | 232182-2 | LEAF SPRING | | 1 | | | | |
| 016 | 620549-0 | LED CIRCUIT | | 1 | | | | |
| 017 | 419041-9 | F/R CHANGE LEVER | | 1 | | | | |
| 018 | 650710-5 | SWITCH C3JW-4B | | 1 | | | | |
| 019 | 643874-2 | TERMINAL | | 1 | | | | |
| 020 | 854U32-3 | DDF485 SERIAL NO. LABEL | | 1 | | | | |
| 021 | 183K32-9 | HOUSING SET | | 1 | | | | |
| C10 | 263005-3 | RUBBER PIN 6 | | 2 | | | | |
| C20 | 252126-6 | HEX. LOCKING NUT M4-7 | | 2 | | | | |
| D10 | | INC. 2 | | | | | | |
| A01 | 251314-2 | + SCREW M4X12 | | 1 | | | | |
| A02 | 346317-0 | HOOK | | 1 | | | | |
| A03 | 784637-8 | +/- BIT 2-45 | | 1 | | | | |
| A04B | 821550-0 | CONNECTOR PLASTIC CASE (TYPE2) | | 1 | | | | |
| C10 | 453974-8 | LATCH | | 4 | | | | |
| A04C | 821550-0 | CONNECTOR PLASTIC CASE (TYPE2) | | 1 | | | | |
| C10 | 453974-8 | LATCH | | 4 | | | | |
| A05B | 450128-8 | BATTERY COVER | | 1 | | | | |
| A05C | 450128-8 | BATTERY COVER | | 1 | | | | |
| A06B | ***DC18RC | DC18RC FAST CHARGER | | 1 | | | | |
| D10 | | COMPO-PARTS | | | | | | |
| A06C | ***DC18RC | DC18RC FAST CHARGER | | 1 | | | | |
| D10 | | COMPO-PARTS | | | | | | |
| A07B | 197600-6 | BATTERY BL1830B SET | | 2 | | | | |
| A07C | 197280-8 | BATTERY BL1850B SET | | 2 | | | | |
| A08B | 837916-4 | INNER TRAY | | 1 | | | | |
| A08C | 837916-4 | INNER TRAY | | 1 | | | | |
| A09B | 818D59-5 | DDF485RFJ INDICATION LABEL | | 1 | | | | |
| A09C | 818D61-8 | DDF485RTJ INDICATION LABEL | | 1 | | | | |
| A10B | 818D60-0 | DDF485RFJ PLASTIC CASE LABEL | | 2 | | | | |
| A10C | 818D62-6 | DDF485RTJ PLASTIC CASE LABEL | | 2 | | | | |