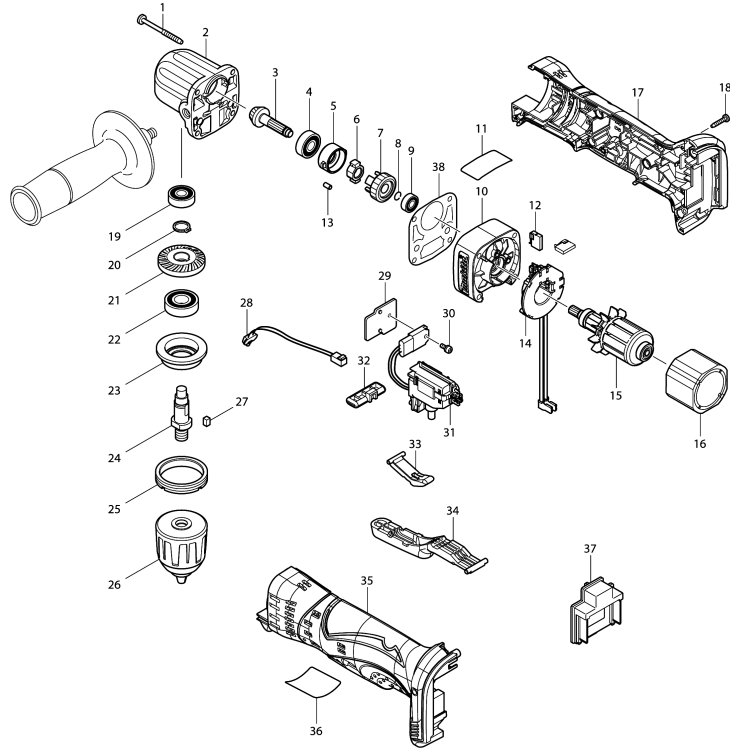


Model No.DDA341 CORDLESS ANGLE DRILL 10MM



Model No.DDA341 CORDLESS ANGLE DRILL 10MM

Nimike	Osanumero	Kuvaus	I/C numeromuutos	MÄÄRÄ	New/Old	Opt. 1	Opt. 2	HUOMAUTUS
001	266069-6	TAPPING SCREW 4X45		4				
002	317634-5	GEAR HOUSING		1				
003	227538-2	SPIRAL BEVEL GEAR 9		1				
004	210029-0	BALL BEARING 608ZZ		1				
005	324930-4	LOCK RING		1				
006	331647-2	LOCK CAM		1				
007	227221-1	SPUR GEAR 29		1				
008	231956-8	RING SPRING 6		1				
009	210033-9	BALL BEARING 696ZZ		1				
010	450607-6	GEAR HOUSING COVER		1				
012	194427-5	CARBON BRUSH SET CB-440		1				
013	268100-4	PIN 3.5		2				
014	539202-6	BRUSH HOLDER ASSY		1				
D10		INC. 12						
015	619232-4	ARMATURE		1				
016	638613-3	YOKE UNIT		1				
017	187129-0	HOUSING SET		1				
D10		INC. 35						
018	266130-9	TAPPING SCREW BIND PT 3X16		5				
019	210029-0	BALL BEARING 608ZZ		1				
020	961052-5	RETAINING RING S-12		1				
021	227537-4	SPIRAL BEVEL GEAR 26		1				
022	211131-2	BALL BEARING 6001DDW		1				
023	317633-7	BEARING BOX		1				
024	324329-3	SPINDLE		1				
025	285842-5	BEARING RETAINER 36-43		1				
026	766005-7	KEYLESS DRILL CHUCK 10		1				
027	254201-4	KEY 4		1				
028	631814-2	LED CIRCUIT		1				
029	689098-6	HEAT SINK		1				
030	911006-2	PAN HEAD SCREW M3X8		1				
031	632B90-3	SWITCH UNIT		1				
032	450610-7	F/R CHANGE LEVER		1				
033	450609-2	LINK		1				
034	450608-4	SWITCH LAVER		1				
035	187129-0	HOUSING SET		1				
D10		INC. 17						
036	815N84-7	DDA341 NAME PLATE		1				
037	643867-9	TERMINAL		1				
038	418036-9	GASKET		1				

Please order the parts with part number.

Print Date 9/9/2020