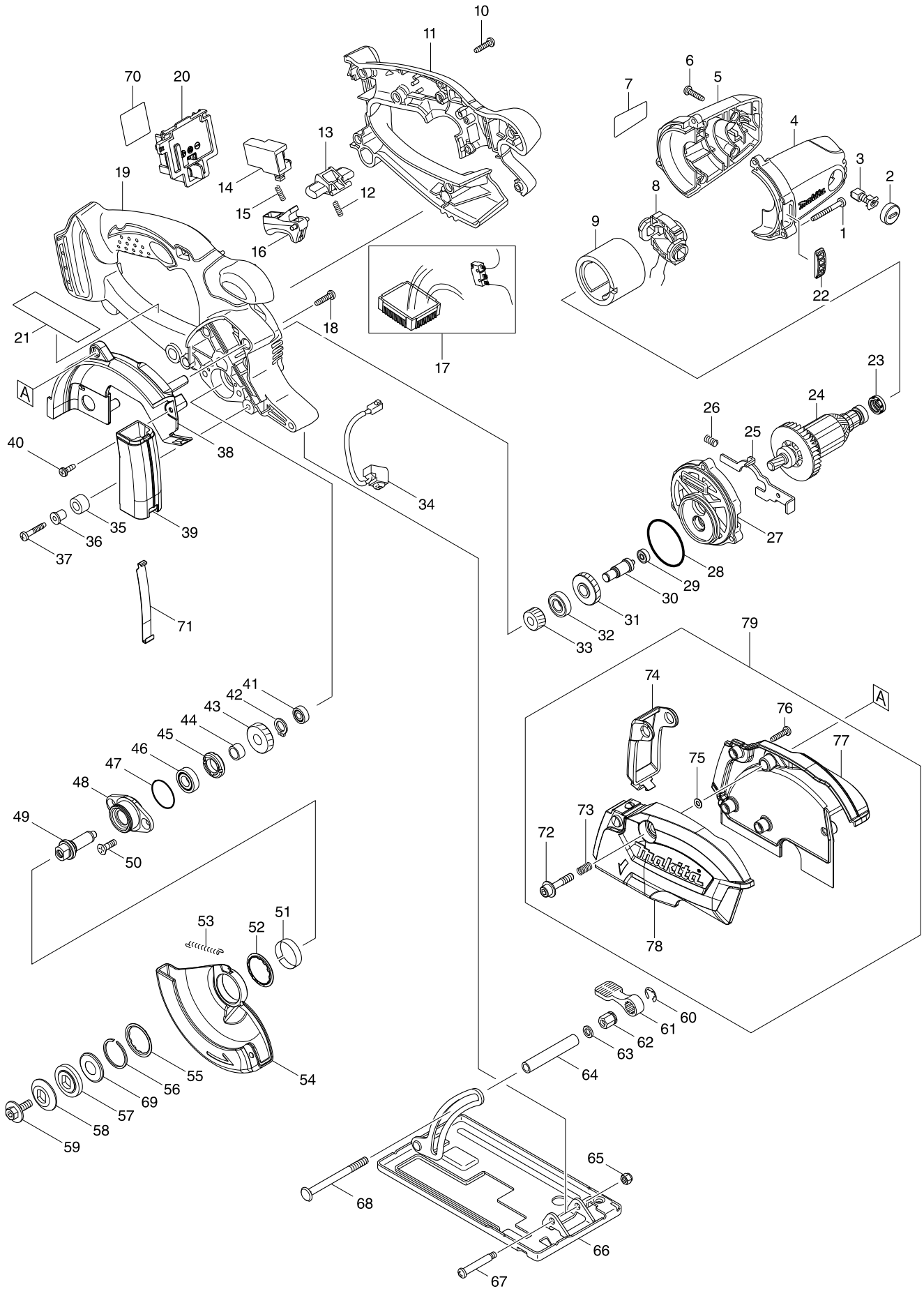


Model No. DCS552 136MM CORDLESS METAL CUTTER



Model No. DCS552 136MM CORDLESS METAL CUTTER

Item	Parts No.	Description	I/C	Qty	N/O	Opt. 1	Opt. 2	Note
001	266053-1	TAPPING SCREW 4X35		3				
002	643807-7	BRUSH HOLDER CAP		2				
003	191971-3	CARBON BRUSH CB-430		1				
004	188209-5	HOUSING SET		1				
D10		INC. 5						
005	188209-5	HOUSING SET		1				
D10		INC. 4						
006	265995-6	TAPPING SCREW 4X18		4				
007	854S86-8	DCS552 NAME PLATE		1				
008	638925-4	ENDBELL COMPLETE		1				
009	638420-4	YOKE UNIT		1				
010	265995-6	TAPPING SCREW 4X18		8				
011	453426-9	HANDLE L		1	*			
011-1	140F58-4	HANDLE L COMPLETE	S	1				
012	231469-9	COMPRESSION SPRING 4		1				
013	419664-3	LOCK OFF LEVER		1				
014	651956-6	SWITCH TG72BD		1				
015	231469-9	COMPRESSION SPRING 4		1				
016	419665-1	SWITCH LEVER		1				
017	620260-4	CONTROLLER		1				
018	265995-6	TAPPING SCREW 4X18		3				
019	453154-6	HANDLE R		1	*			
019-1	140F53-4	HANDLE R COMPLETE	S	1				
020	644808-8	TERMINAL		1				
022	419609-1	FAN GUARD		1				
023	421977-0	RUBBER RING 13		1				
024	619290-0	ARMATURE		1				
025	345643-4	SHAFT LOCK		1				
026	233117-6	COMPRESSION SPRING 6		1				
027	419656-2	GEAR HOUSING		1				
028	213560-5	O RING 44		1				
029	210036-3	BALL BEARING 604ZZ		1				
030	324729-7	GEAR SHAFT		1				
031	227752-0	HELICAL GEAR 27		1				
032	210080-0	BALL BEARING 6900ZZ		1				
033	226635-1	HELICAL GEAR 15		1				
034	631550-0	LED CIRCUIT		1				
035	262566-0	RUBBER SLEEVE 6		1				
036	262563-6	SLEEVE 4		1				
037	265999-8	TAPPING SCREW 4X25		1				
038	458647-8	BLADE CASE		1				
039	458648-6	BLADE COVER		1				
040	265995-6	TAPPING SCREW 4X18		1				
041	210006-2	BALL BEARING 696ZZ		1				
042	961006-2	RETAINING RING S-10		1				
043	226640-8	HELICAL GEAR 23		1				
044	257760-7	SLEEVE 10		1				
045	285847-5	BEARING RETAINER 14-23		1				

Model No. DCS552 136MM CORDLESS METAL CUTTER

Item	Parts No.	Description	I/C	Qty	N/O	Opt. 1	Opt. 2	Note
046	210069-8	BALL BEARING 6900DDW		1				
047	213435-8	O RING 26		1				
048	318087-1	BEARING BOX		1				
049	324730-2	SPINDLE		1				
050	265034-2	+ COUNTERSUNK HEAD SCREW M5X		2				
051	345470-9	THICKNESS RING		1				
052	345739-1	SPACER		1				
053	231792-2	TENSION SPRING 3		1				
054	140C85-3	SAFETY COVER COMPLETE		1				
055	345739-1	SPACER		1				
056	257938-2	RETAINING RING(EXT) WR-26		1				
057	224391-7	INNER FLANGE 30		1				
058	224404-4	OUTER FLANGE 30		1				
059	266458-5	HEX.SOCKET HEX.BOLT M6X18		1				
060	961014-3	STOP RING E-8		1				
061	272229-0	LEVER 40		1				
062	252159-1	HEX. NUT M6		1				
063	941151-9	FLAT WASHER 6		1				
064	331733-9	PIPE 6		1				
065	252103-8	HEX. LOCK NUT M5-8		1				
066	163471-3	BASE		1				
067	265056-2	+ PAN HEAD SCREW M5		1				
068	266405-6	FLAT H.SQUARE NECK BOLT M6X75		1				
069	267802-9	CUP WASHER 13		1				
070	854S92-3	DCS552 SERIAL NO. LABEL		1				
071	347416-1	PLATE		1				
072	265676-2	H.S.H.B M6X29		1				
073	233267-7	COMPRESSION SPRING 7		1				
074	458652-5	DUST CAP		1				
075	213005-3	O RING 5		1				
076	265995-6	TAPPING SCREW 4X18		4				
077	458649-4	DUST BOX L		1	*			
077-1	183K33-7	DUST BOX SET	<	1				
D10		INC. 078						
078	458650-9	DUST BOX R		1	*			
078-1	183K33-7	DUST BOX SET	<	1				
D10		INC. 077						
079	127016-1	DUST BOX ASSEMBLY		1				
D10		INC. 72-78						
A01	192219-6	SAFETY GOGGLE		1				
A02	783203-8	HEX. WRENCH 5		1				
A07	B-07319	T.C.T.SAW BLADE 136X20X30T		1				
E01	688131-1	LINE FILTER		1				
E02	688161-2	LINE FILTER		1				