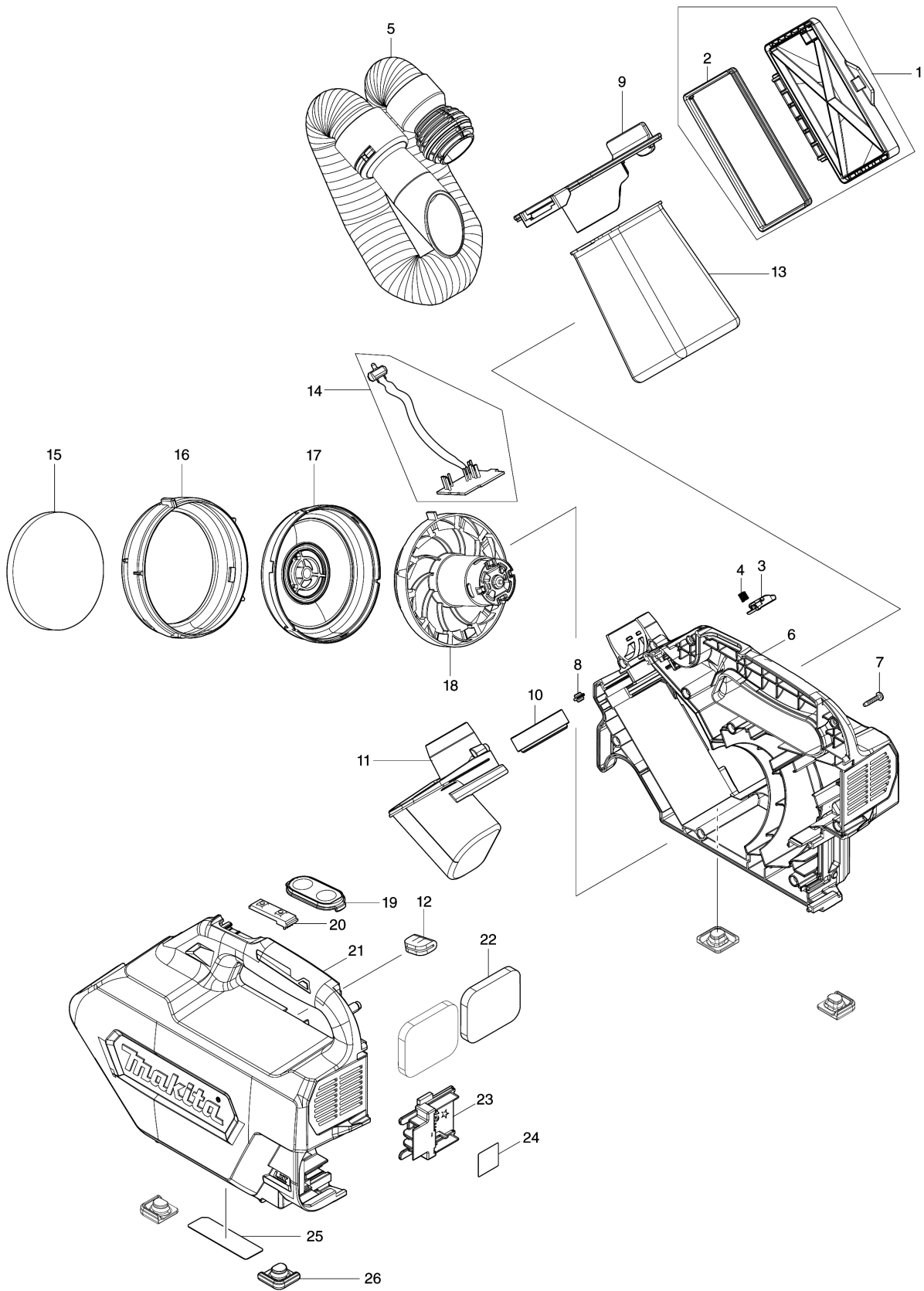


Model No.DCL184 CORDLESS CLEANER



Model No.DCL184 CORDLESS CLEANER

Item	Parts No.	Description	I/C	Qty	New/Old	Opt. 1	Opt. 2	Note
001	136100-1	DUST BOX COVER ASS'Y		1				
D10		INC. 2						
002	422433-3	SEAL		1				
003	459050-6	STOPPER PLATE		1				
004	232485-4	COMPRESSION SPRING 5		1				
005	140H92-6	HOSE COMPLETE		1				
C10	459042-5	STRAIGHT PIPE		1				
C20	459044-1	STOPPER		1				
006	183R28-2	HOUSING SET		1				
C10	422619-9	DAMPER A		1				
C20	422620-4	DAMPER B		1				
C30	263005-3	RUBBER PIN 6		2				
D10		INC. 12,21						
007	266429-2	TAPPING SCREW 3X16		10				
008	450522-4	LENS		1				
009	143677-9	VALVE STAY COMPLETE		1				
010	422434-1	PACKING		1				
011	459048-3	HOSE JOINT HOLDER		1				
012	424246-8	SPONGE SHEET		1				
013	166084-9	DUST BAG		1				
014	620D44-4	CONTROLLER		1				
015	422440-6	SPONGE SHEET 90		1				
016	422421-0	RUBBER RING		1				
017	459035-2	FAN COVER		1				
018	127655-7	MOTOR ASSEMBLY		1				
019	144096-2	SWITCH PLATE COMPLETE		1				
C10	810P35-7	SWITCH LABEL		1				
020	631973-2	SWITCH UNIT		1				
021	183R28-2	HOUSING SET		1				
C10	422619-9	DAMPER A		1				
C20	422620-4	DAMPER B		1				
C30	263005-3	RUBBER PIN 6		2				
D10		INC. 6,12						
022	422439-1	SPONGE SHEET 47-57		2				
023	643874-2	TERMINAL		1				
024	857N50-8	DCL184 SERIAL NO. LABEL		1				
025	857N43-5	DCL184 NAME PLATE		1				
026	422435-9	FOOT		4				
A01	140H94-2	SOFT BRUSH 360 COMPLETE		1				
A02	140H95-0	SEAT NOZZLE 120 COMPLETE		1				
A03	140J64-3	BLOWER NOZZLE COMPLETE		1				
A04	162544-9	SHOULDER BELT		1				

Please order the parts with part number.

Print Date 1/9/2020

Model No.DCL184 CORDLESS CLEANER

Item	Parts No.	Description	I/C	Qty	New/Old	Opt. 1	Opt. 2	Note
A05	194566-1	PAPER FILTER SET (5PCS/SET)		1				
A06	422437-5	RUBBER NOZZLE 330		1				
A07	459056-4	MAT NOZZLE 120		1				
A08B	450128-8	BATTERY COVER		1				
A09B	197600-6	BATTERY BL1830B SET		1				
A10B	***DC18RC	DC18RC FAST CHARGER		1				
D10		COMPO-PARTS						
A11B	832188-6	TOOL BAG		1				

Please order the parts with part number.

Print Date 1/9/2020