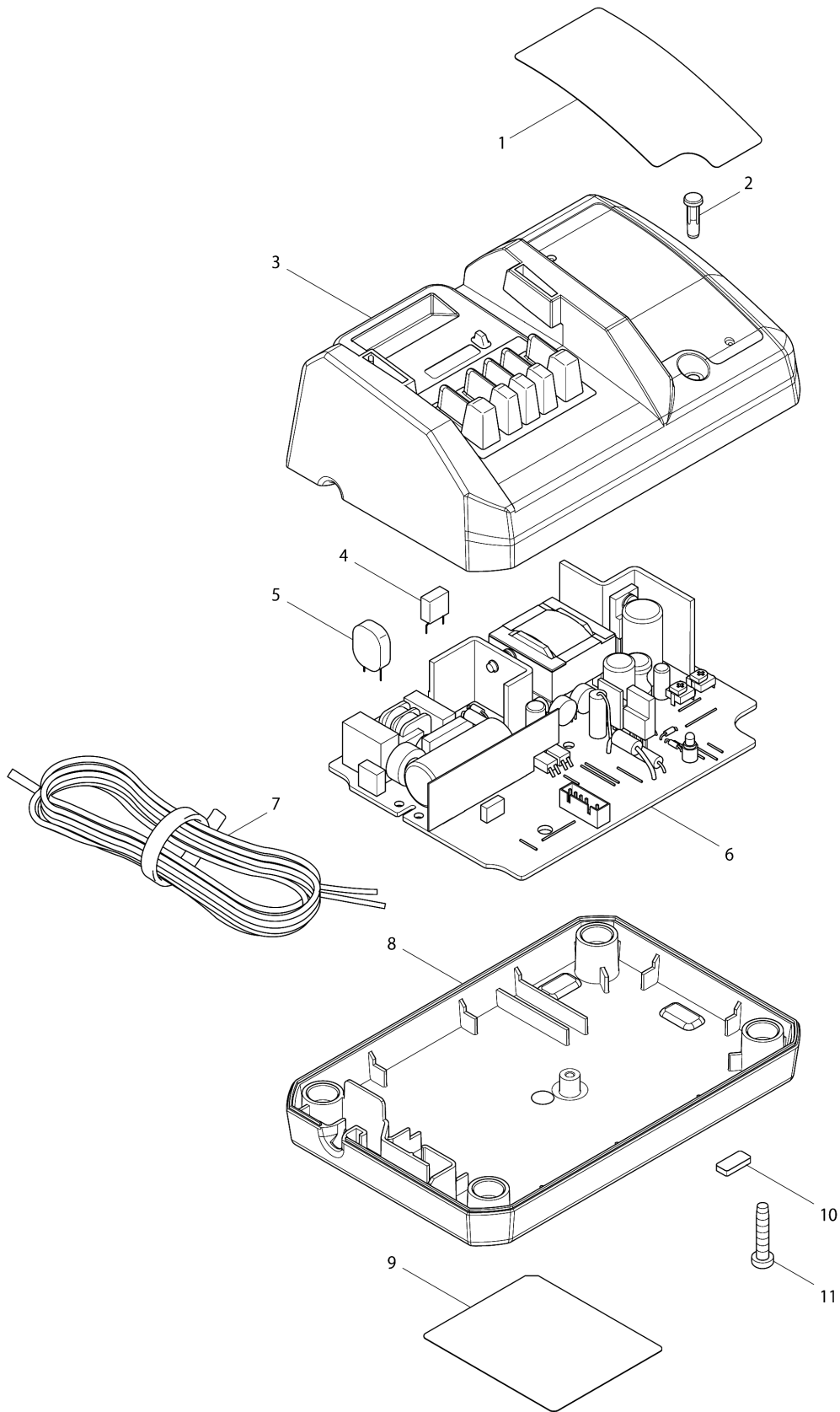


Model No.DC18WA CHARGER



Model No.DC18WA CHARGER

Item	Parts No.	Description	I/C	Qty	New/Old	Opt. 1	Opt. 2	Note
001	892431-5	CHARGING CONDITION LABEL		1				
002	452263-8	LENS		1	*			
002A_	454956-3	LENS		1				
003	140825-1	CHARGER CASE COMPLETE		1	*			
D10		INC. 2			*			
003A_	142456-2	CHARGER CASE COMPLETE		1				
D10		INC. 2A						
004	652789-2	FUSE		1	*			
004-1	652789-2	FUSE	O	1				
005	647333-8	VARISTOR		1	*			
005-1	647306-1	VARISTOR	O	1				
006	620026-2	CHARGING CIRCUIT		1	*			
D10		INC. 4,5			*			
006A_	620272-7	CHARGING CIRCUIT		1				
007	667869-1	POWER SUPPLY CORD		1	*			
007-1	667985-9	VINYL CORD 0.75-2-2.0	O	1				
007A_	667895-0	POWER SUPPLY CORD		1	*			
007A1	667985-9	VINYL CORD 0.75-2-2.0	O	1				
008	140713-2	CHARGER CASE COVER COMPLETE		1	*			
D10		INC. 10			*			
008A_	142453-8	CHARGER CASE COVER COMPLETE		1				
D10		INC. 10A						
009	869026-9	DC18WA NAME PLATE		1				
010	423415-8	RUBBER SHEET		6				
010A_	423474-2	RUBBER SHEET		6				
011	266625-2	TAPPING SCREW PT 4X20		4				
011A_	266897-9	TAPPING SCREW PT 4X20		4				

Please order the parts with part number.

Print Date 3/6/2019

