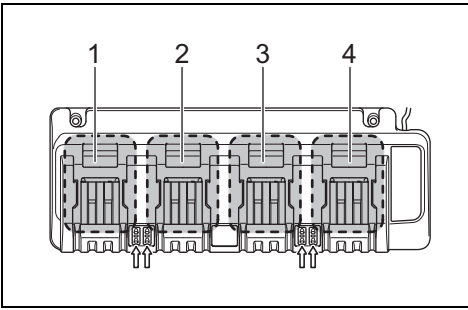




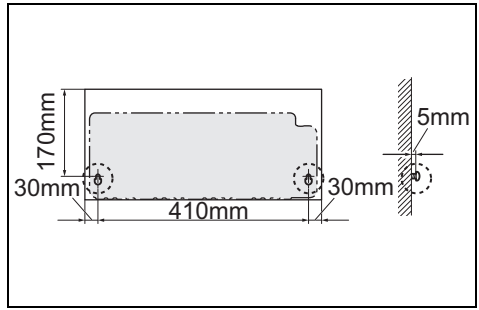
**DC18SF**

**GB** Four Port Multi Charger .....3

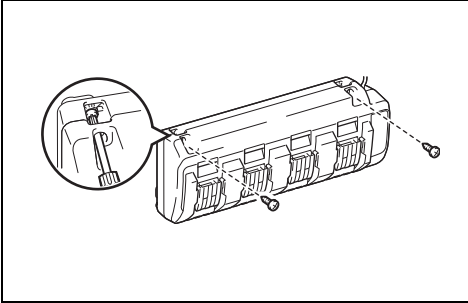




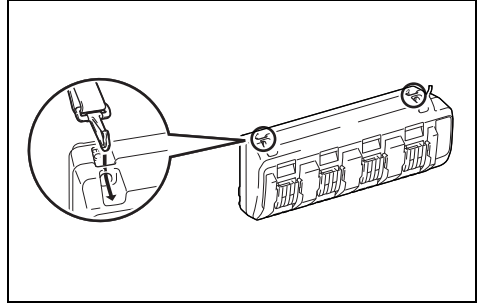
1



2



3
















4

**WARNING:** This appliance can be used by children aged from 8 years and above and persons with reduced physical, sensory or mental capabilities or lack of experience and knowledge if they have been given supervision or instruction concerning use of the appliance in a safe way and understand the hazards involved. Children shall not play with the appliance. Cleaning and user maintenance shall not be made by children without supervision.

**Symbols**

The followings show the symbols used for the equipment. Be sure that you understand their meaning before use.

-  • Indoor use only
-  • Read instruction manual.
-  • DOUBLE INSULATION
-  • Ready to charge
-  • Charging
-  • Charging complete
-  • Delay charge (Battery cooling or too cold battery, waiting for charging)
-  • Defective battery
-  • Do not short batteries.
-  • Do not destroy battery by fire.
-  • Do not expose battery to water or rain.
-  • Always recycle batteries.
-  • Only for EU countries

Do not dispose of electric equipment together with household waste material!  
In observance of the European Directive, on Waste Electric and Electronic Equipment and its implementation in accordance with national law, electric equipment that have reached the end of their life must be collected separately and returned to an environmentally compatible recycling facility.

**CAUTION:**

1. SAVE THESE INSTRUCTIONS – This manual contains important safety and operating instructions for battery charger.
2. Before using battery charger, read all instructions and cautionary markings on (1) battery charger, (2) battery, and (3) product using battery.
3. CAUTION – To reduce risk of injury, charge only Makita type rechargeable batteries. Other types of batteries may burst causing personal injury and damage.
4. Non-rechargeable batteries cannot be charged with this battery charger.
5. Use a power source with the voltage specified on the nameplate of the charger.
6. Do not charge the battery cartridge in presence of flammable liquids or gases.
7. Do not expose charger to rain or snow.
8. Never carry charger by cord or yank it to disconnect from receptacle.
9. After charging or before attempting any maintenance or cleaning, unplug the charger from the power source. Pull by plug rather than cord whenever disconnecting charger.
10. Make sure cord is located so that it will not be stepped on, tripped over, or otherwise subjected to damage or stress.
11. Do not operate charger with damaged cord or plug. If the cord or plug is damaged, ask Makita authorized service center to replace it in order to avoid a hazard.
12. Do not operate or disassemble charger if it has received a sharp blow, been dropped, or otherwise damaged in any way; take it to a qualified serviceman. Incorrect use or reassembly may result in a risk of electric shock or fire.
13. Do not charge battery cartridge when room temperature is BELOW 10°C (50°F) or ABOVE 40°C (104°F). When the battery temperature is under 0°C (32°F), charging may not start.
14. Do not attempt to use a step-up transformer, an engine generator or DC power receptacle.
15. Do not allow anything to cover or clog the charger vents.

**Charging (Fig. 1)**

This charger can charge at most two batteries at the same time. Left two ports and right two ports of the charger consist pairs respectively. One pair can charge a battery at one time. For example, if you insert the batteries in port 1 and 3, the charger starts charging those two batteries at the same time. However, if you insert the batteries in port 1 and 2, the charger starts charging only port 1. Charging of port 2 starts after the charging of battery in port 1 completes.

1. Plug the battery charger into the proper AC voltage source. Charging lights start blinking rapidly in green color.

2. Insert the battery cartridge into the charger until it stops. Terminal cover of the charger automatically opens as you insert the battery cartridge.
3. The charging light on the port changes into red color, and charging starts shortly after.

**Note:**

Notice the charging light on the port of the pair starts blinking 'slowly' when you insert a battery. If you insert a battery into the pair port, which charging light is blinking slowly in green, the charging light starts blinking in red color, and the port becomes stand-by status. Charging on the pair port starts after completion of charging on the first port.

- As charging progress, the both red and green color light up. And with completion of charging, green color lights up.

**Note:**

Charging time varies by temperature (10°C (50°F) – 40°C (104°F)) and condition of the battery cartridge, such as a battery cartridge which is new or has not been used for a long period of time.

- After charging all batteries, remove the battery cartridges from charger and unplug the charger.

**NOTE:**

- Do not use the charger other than its intended use, nor charge other manufacturer's cartridge.
- When the red light blinks, charging may not start if the battery cartridge is in a following state:
  - Having been just used.
  - Having been left under the direct sunlight or in a cold room for long.
  - Not at adequate temperature.
- Charging starts after the battery cartridge's temperature reaches the degree at which charging is possible.
- If dust clogs the terminal or the battery cartridge is worn out or damaged, the charger does not charge the battery and the charging light shows green and red alternating light.
- The charger cannot use with INTERCHANGEABLE ADAPTER (ADP01, 04) and REFRESHING ADAPTER (ADP02, 03).

Voltage	14.4V	18V	14.4V	18V	Capacity (Ah) according to IEC61960	Charging time (minutes)
Number of cells	4	5	8	10		
Li-ion battery cartridge	BL1415	BL1815	—	—	1.3	30
	BL1415NA, BL1415N	BL1815N	—	—	1.5	30
	—	BL1820/ BL1820B	—	—	2.0	45
	—	—	BL1430/BL1430B	BL1830/ BL1830B	3.0	60
	—	—	BL1440	BL1840/ BL1840B	4.0	90
	—	—	BL1450	BL1850/ BL1850B	5.0	110
	—	—	BL1460A/BL1460B	BL1860B	6.0	130

**Note:**

It may take longer than the above charging time because of the optimal charging selected according to the temperature (10°C (50°F) – 40°C (104°F)), conditions of battery cartridge and maintenance charge.

**Wall mounting**

**⚠ Warning:**

- Make sure to use four screws when mounting the charger on the wall. Otherwise the charger may fall and cause serious injury.
- Always be sure that the charger is unplugged and all the batteries are removed from the charger before performing wall mounting work.
- Follow the steps instructed in this manual, and complete the whole procedures at once. The charger may fall and cause injury or damage if you stop the work in the half way.
- Check tightness of the screws on regular basis. Otherwise the charger may fall because of loosen screw.
- Clean the terminal parts of the charger on regular basis with an air duster etc.

**⚠ Caution:**

- Carefully choose a stable wall for mounting the charger. Make sure there is no hindrance to mounting work or charging operation. The gross weight of the charger and four batteries reach approximately 5 kg, provide sufficient reinforcement for the wall if necessary.

Things you need to prepare:

- Four screws (6mm x more than 40mm) - two for hanging and two for anchoring.
  - Tools - for tightening screws.
- Fix the two screws for hanging on the wall as illustrated. **(Fig. 2)**
  - Remove the rubber feet (four pieces) from the bottom of the charger.  
Hang the charger with the screws fixed in step 1.  
Mount the charger on the wall by tightening two anchoring screws completely. **(Fig. 3)**

**Optional accessory**

**⚠ Caution:**

- These accessories or attachments are recommended for use with your Makita tool specified in this manual. The use of any other accessories or attachments might present a risk of injury to persons. Only use accessory or attachment for its stated purpose.

If you need any assistance for more details regarding these accessories, ask your local Makita Service Center.

- Shoulder belt

**⚠ Warning:**

- Do not use the shoulder belt other than carrying the battery charger.
- Attach the shoulder belt in accordance with this instruction manual. Otherwise the battery charger may fall and cause injury.
- Check carefully that there are no breakage on the belt or its hook before use.

Hook the shoulder belt onto the each hole for shoulder belt securely. **(Fig. 4)**

**Makita Europe N.V.** Jan-Baptist Vinkstraat 2,  
3070 Kortenberg, Belgium

**Makita Corporation** 3-11-8, Sumiyoshi-cho,  
Anjo, Aichi 446-8502 Japan