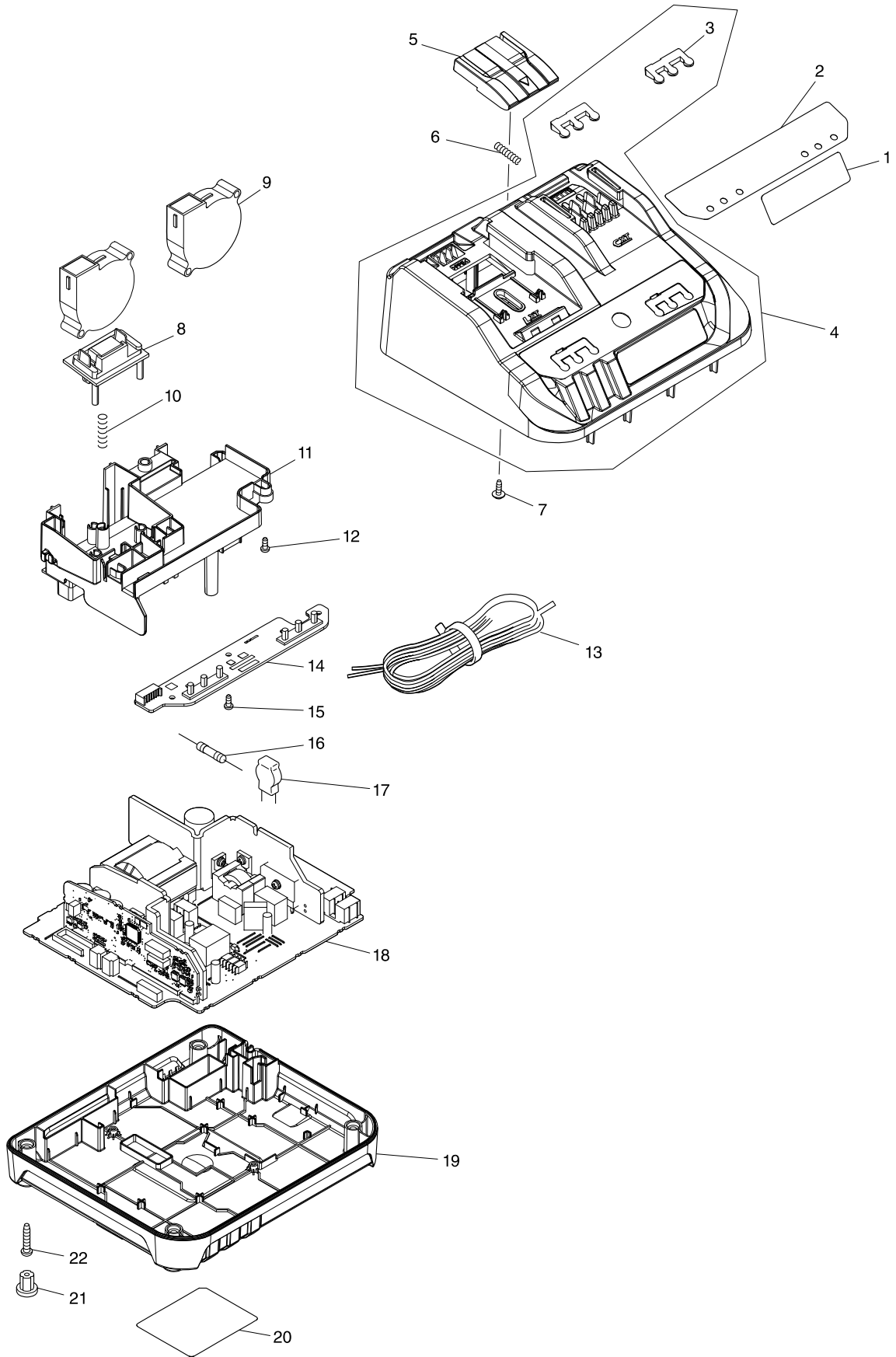


Model No. DC18RE FAST CHARGER SET



Model No. DC18RE FAST CHARGER SET

Item	Parts No.	Description	I/C	Qty	N/O	Opt. 1	Opt. 2	Note
001	812P95-5	MAKITA LOGO LABEL		1				
002	812P94-7	CHARGING CONDITION LABEL		1				
003	457693-8	LENS		2				
004	144562-9	CHARGER CASE COMPLETE		1				
D10		INC. 3						
005	457692-0	TERMINAL COVER		1				
006	231474-6	COMPRESSION SPRING 4		2				
007	266278-7	TAPPING SCREW FLANGE BT3X10		1				
008	632K43-6	TERMINAL UNIT		1				
009	638499-5	SCIROCCO FAN		2				
010	233194-8	COMPRESSION SPRING 4		1				
011	457691-2	TERMINAL BASE		1				
012	266764-8	TAPPING SCREW 3X8		4				
013	667985-9	VINYL CORD 0.75-2-2.0		1				
014	620692-5	LED CIRCUIT		1				
015	266764-8	TAPPING SCREW 3X8		3				
016	652802-6	FUSE		1				
017	647306-1	VARISTOR		1				
018	620681-0	CHARGING CIRCUIT		1				
D10		INC. 16,17						
019	457690-4	CHARGER CASE COVER		1				
021	286255-3	CAP 13		4				
022	266426-8	TAPPING SCREW 4X20		4				