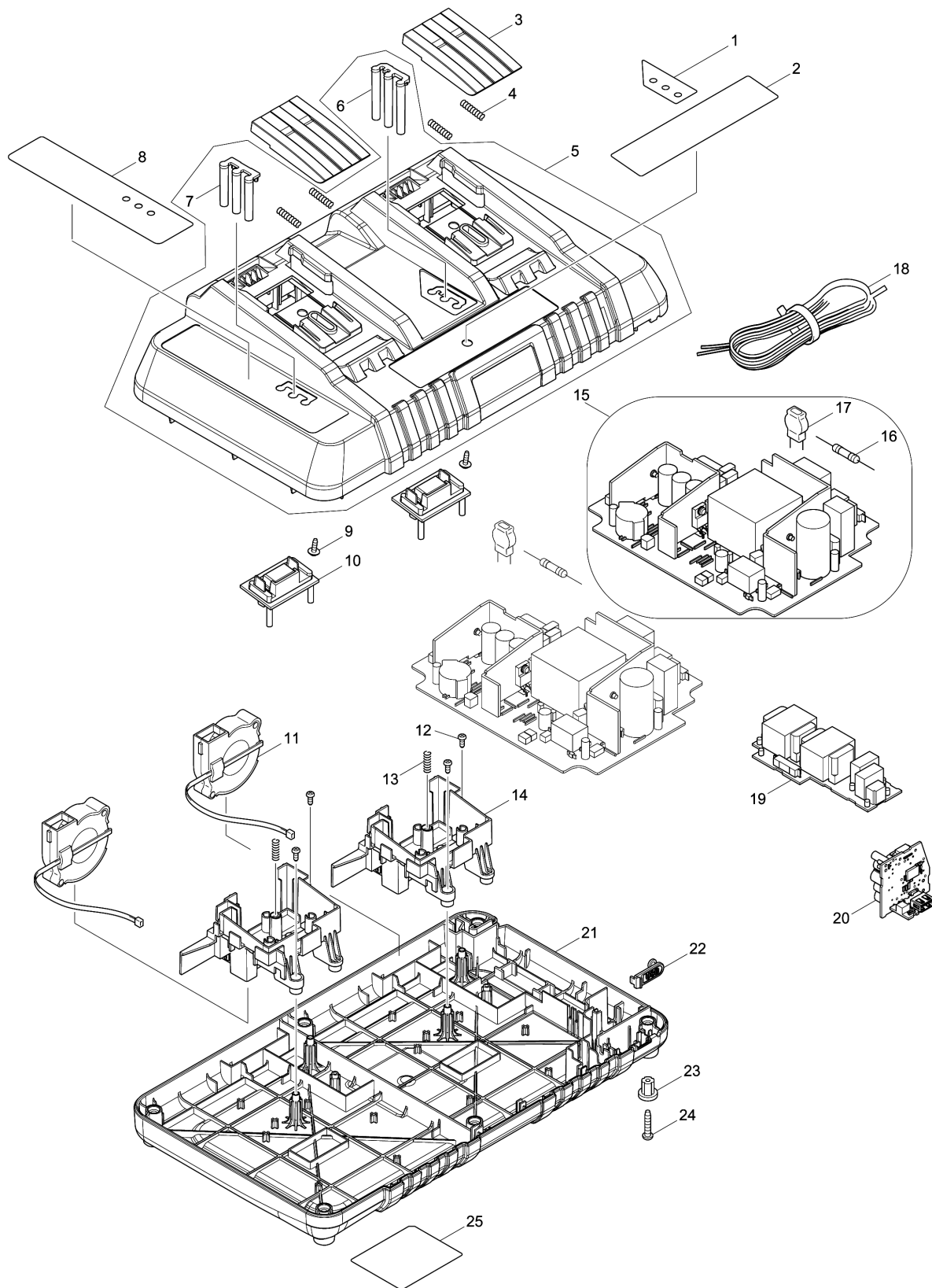


Model No.DC18RD TWO PORT MULTI FAST CHARGER



Model No.DC18RD TWO PORT MULTI FAST CHARGER

Item	Parts No.	Description	I/C	Qty	New/Old	Opt. 1	Opt. 2	Note
001	804Y51-3	INDICATION LABEL		1				
002	804Y52-1	MAKITA LOGO LABEL		1				
003	455546-5	TERMINAL COVER		2				
004	231474-6	COMPRESSION SPRING 4		4				
005	142845-1	CHARGER CASE COMPLETE		1				
D10		INC. 6,7						
006	455402-9	LENS B		1				
007	455401-1	LENS A		1				
008	804Y47-4	CHARGING CONDITION LABEL		1				
009	266278-7	TAPPING SCREW FLANGE BT3X10		2				
010	632E11-3	TERMINAL UNIT		2				
011	638499-5	SCIROCCO FAN		2				
012	266764-8	TAPPING SCREW 3X8		4				
013	233194-8	COMPRESSION SPRING 4		2				
014	455399-2	TERMINAL BASE		2				
015	620120-0	CHARGING CIRCUIT		2				
D10		INC. 16,17						
016	652800-0	FUSE		2				
017	647306-1	VARISTOR		2				
018	667708-5	POWER SUPPLY CORD		1				
019	620324-4	FILTER CIRCUIT		1				
020A	620326-0	USB CIRCUIT		1	*			
020-1A	620412-7	USB CIRCUIT	<	1				
020-1B	620412-7	USB CIRCUIT		1				
021	455398-4	CHARGER CASE COVER		1				
022	455403-7	USB COVER		1				
023	286255-3	CAP 13		4				
024	266426-8	TAPPING SCREW 4X20		6				
025	850E35-9	DC18RD NAME PLATE		1				
A01B	450128-8	BATTERY COVER		3				
A02B	197280-8	BATTERY BL1850B SET		3	*			
A02-1B	197280-8	BATTERY BL1850B SET	O	3				

Please order the parts with part number.

Print Date 3/6/2019

