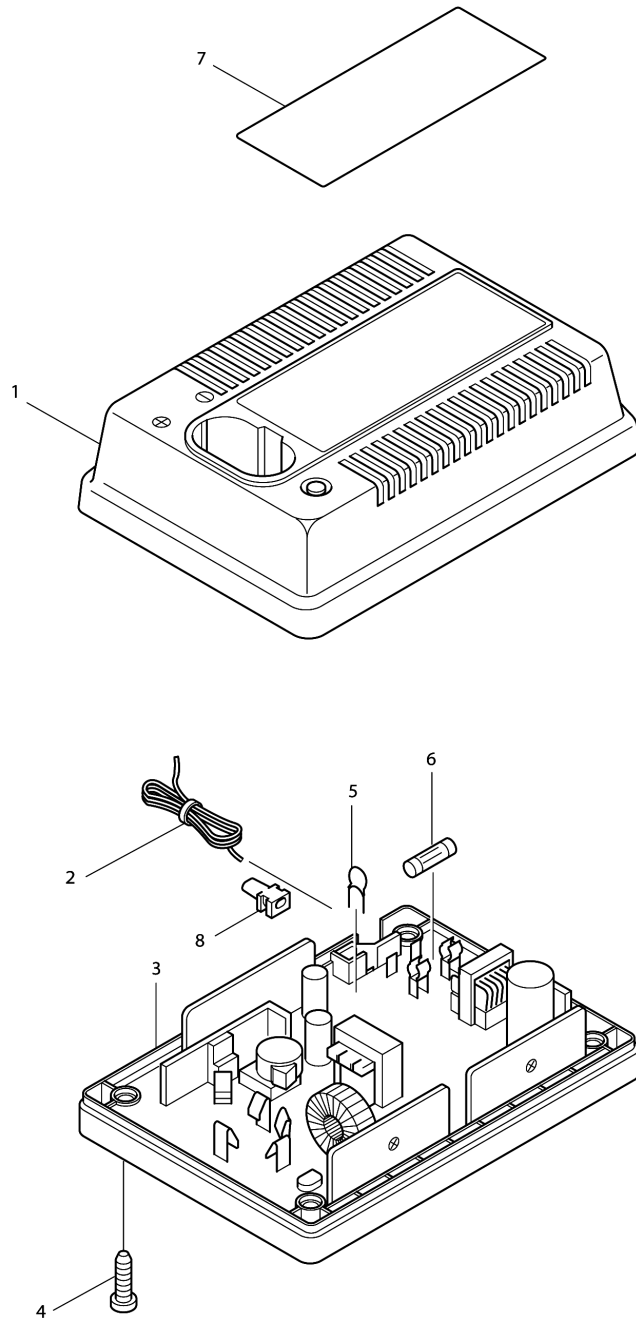


Model No.DC1439 FAST CHARGER



Model No.DC1439 FAST CHARGER

Item	Parts No.	Description	I/C	Qty	New/Old	Opt. 1	Opt. 2	Note
001	151606-8	CHARGER CASE COMPLETE		1				
002A_	667957-4	POWER SUPPLY CORD 0.75-2-2.0		1	*			
002A1	667841-3	POWER SUPPLY CORD 0.75-2-2.0	O	1	*			
002A2	667849-7	POWER SUPPLY CORD 0.75-2-2.0	<	1				
003	632902-8	CHARGING CIRCUIT COMPLETE		1	*			
D10		INC. 5,6			*			
003-1	638395-7	CIRCUIT BOARD COMPLETE	O	1				
D10		INC. 5,6						
004	265874-8	TAPPING SCREW BT 4X20		4	*			
004-1	266408-0	TAPPING SCREW BT 4X20	O	4				
005	647304-5	VARISTOR		1	*			
005-1	647327-3	VARISTOR	<	1				
006	652724-0	FUSE		1	*			
006-1	652777-9	FUSE	<	1				
007	851658-6	NAME PLATE DC1439		1	*			
007-1	861968-3	NAME PLATE DC1439	<	1				
008	682525-2	CORD GUARD		1				

Please order the parts with part number.

Print Date 3/6/2019

