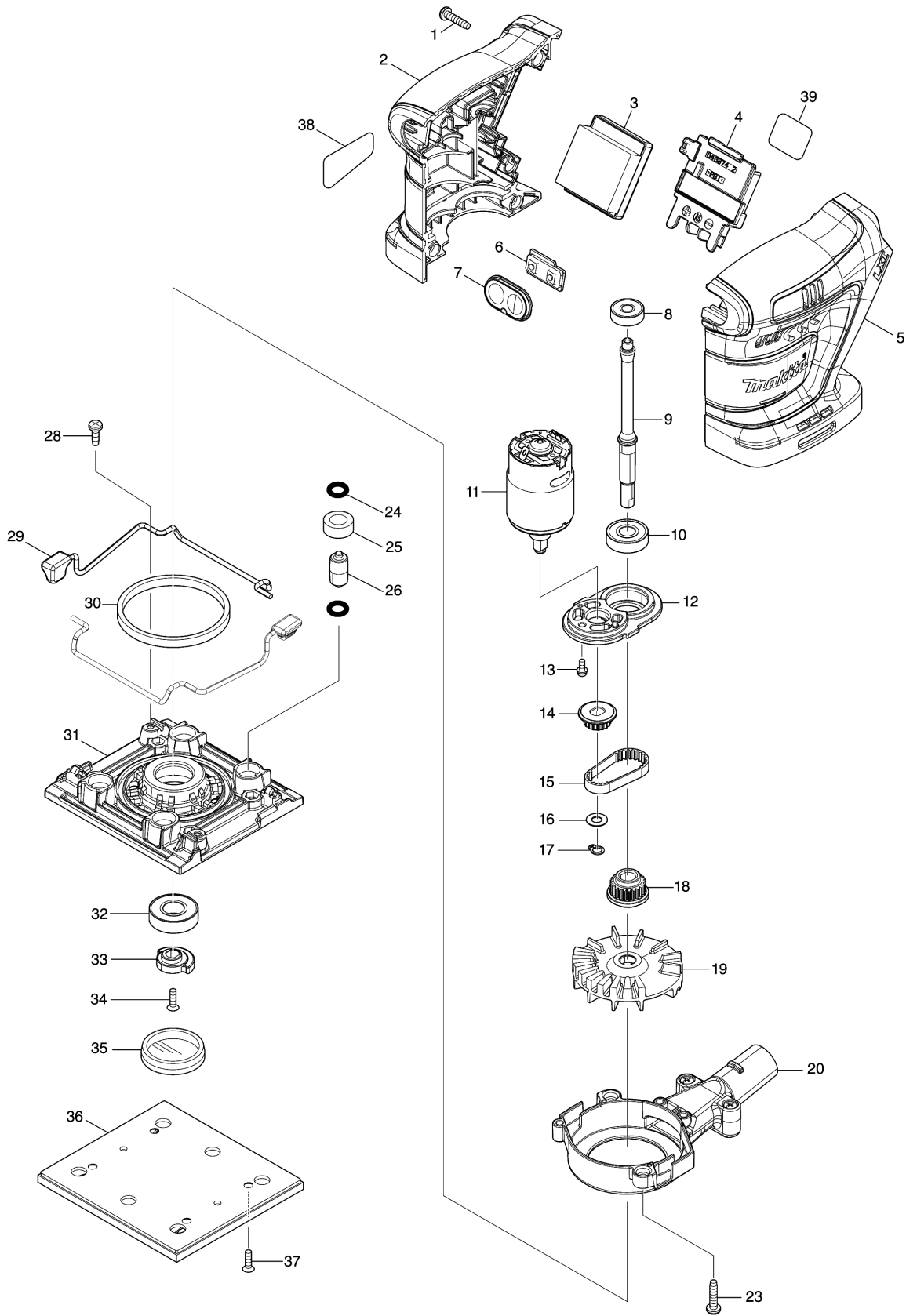


Model No.DB0481 CORDLESS FINISHING SANDER



Model No.DBO481 CORDLESS FINISHING SANDER

Item	Parts No.	Description	I/C	Qty	New/Old	Opt. 1	Opt. 2	Note
001	265995-6	TAPPING SCREW 4X18		5				
002	183U93-9	HOUSING SET		1				
C10	263005-3	RUBBER PIN 6		2				
D10		INC. 5						
003	632S79-3	CONTROLLER UNIT		1				
C10	688164-6	LINE FILTER		1				
004	643874-2	TERMINAL		1				
005	183U93-9	HOUSING SET		1				
C10	263005-3	RUBBER PIN 6		2				
D10		INC. 2						
006	632K92-3	SWITCH UNIT		1				
007	141B15-1	SWITCH PLATE COMPLETE		1				
008	210143-2	BALL BEARING 626ZZ		1				
009	327807-2	SPINDLE		1				
010	211491-2	BALL BEARING 609DDW		1				
011	629B07-5	DC MOTOR		1				
012	413619-0	MOTOR BRACKET		1				
013	265173-8	PAN HEAD SCREW M3X8		1				
014	222200-4	PULLEY 7.5-15.5		1				
015	225105-7	SYNCHRO BELT 6-108		1				
016	253715-0	FLAT WASHER 6		1				
017	961002-0	RETAINING RING S-6		1				
018	222199-3	PULLEY 7.5-20.3		1				
019	240224-8	FAN 63		1				
020	122B40-1	FAN GUIDE ASSEMBLY		1				
023	265995-6	TAPPING SCREW 4X18		2				
024	213983-7	O RING 4		8				
025	424023-8	SPONGE SLEEVE 9		4				
026	318151-8	FOOT		4				
028	266020-6	TAPPING SCREW 4X12		2				
029	162259-8	LEVER COMPLETE		2				
030	424684-4	SPONGE 7X87X3		1				
031	413618-2	BASE		1				
C10	252176-1	HEX. NUT M4		4				
032	211131-2	BALL BEARING 6001DDW		1				
033	313141-6	BALANCER		1				
034	912117-6	COUNTERSUNK HEAD SCREW M4X12		1				
035	422711-1	CAP 36		1				
036	191Y25-6	PAD COMPLETE SET		1				
037	912117-6	COUNTERSUNK HEAD SCREW M4X12		4				
038	8115U5-0	DBO481 NAME PLATE		1				

Model No.DBO481 CORDLESS FINISHING SANDER

Item	Parts No.	Description	I/C	Qty	New/Old	Opt. 1	Opt. 2	Note
039	8115V0-7	DBO481 SERIAL NO. LABEL		1				
A01	794296-0	ABRASIVE PAPER SET 114X100		1				
A02	194746-9	PAPER DUST BAG SET		1				
A05	135246-0	DUST BOX ASSEMBLY		1				
C10	232246-2	LEAF SPRING		2				
C20	424144-6	RUBBER SLEEVE		1				
C30	450769-0	DUST NOZZLE		1				
C40	450770-5	DUST BOX		1				
A06	450066-4	PUNCH PLATE		1				
A07A	8048S0-1	DBO481ZJ INDICATION LABEL		1				
A07B	8048S2-7	DBO481RTJ INDICATION LABEL		1				
A08A	8048S1-9	DBO481ZJ PLASTIC CASE LABEL		2				
A08B	8048S3-5	DBO481RTJ PLASTIC CASE LABEL		2				
A09	821550-0	CONNECTOR PLASTIC CASE (TYPE2)		1				
C10	453974-8	LATCH		4				
A10	8351G2-0	INNER TRAY		1				
A11B	***DC18RC	DC18RC FAST CHARGER		1				
D10		COMPO-PARTS						
A12B	197280-8	BATTERY BL1850B SET		2				
A13B	450128-8	BATTERY COVER		1				

Please order the parts with part number.

Print Date 3/1/2022