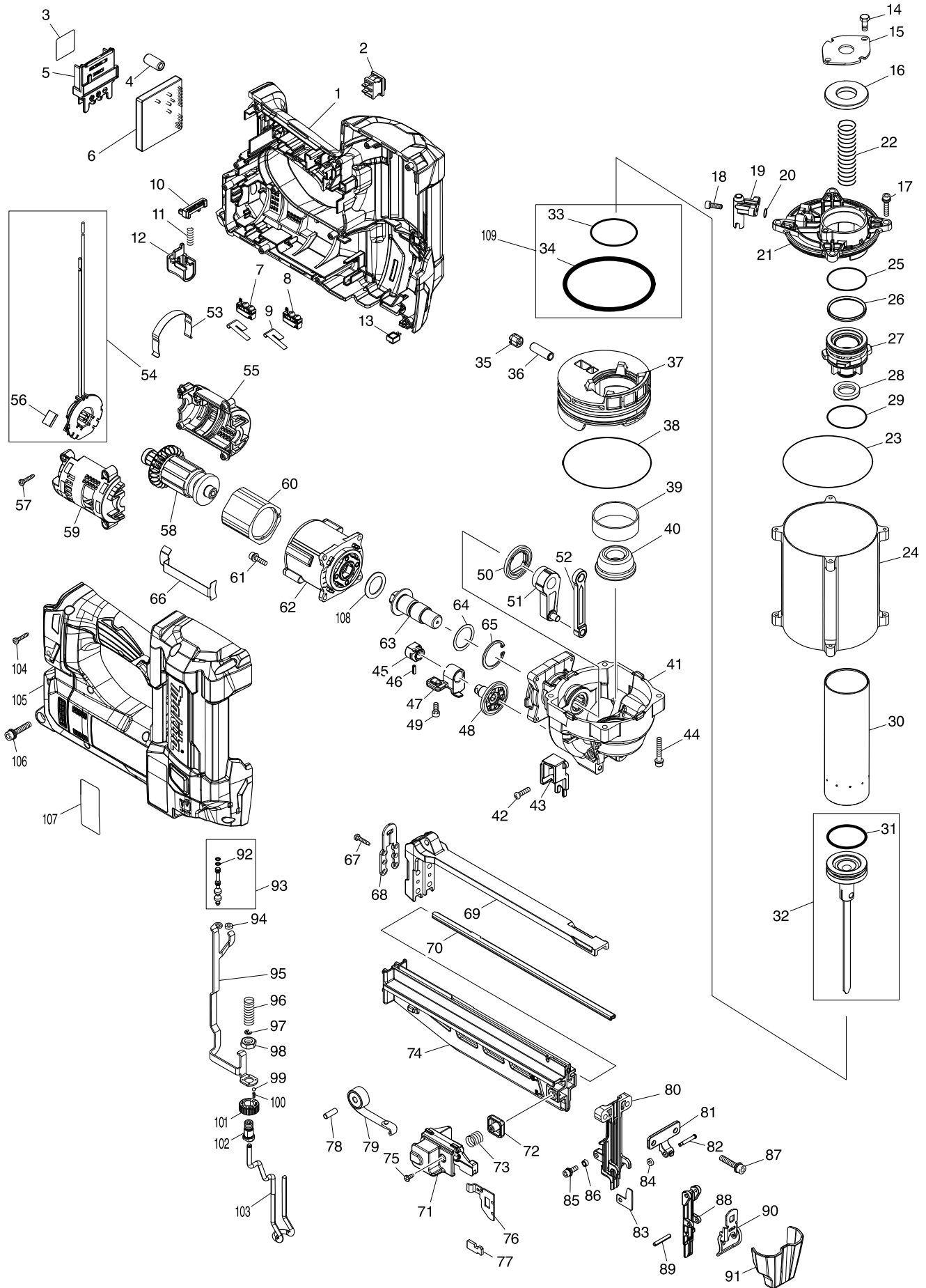


Model No. DBN600 64MM CORDLESS FINISH NAILER



Model No. DBN600 64MM CORDLESS FINISH NAILER

Item	Parts No.	Description	I/C	Qty	N/O	Opt. 1	Opt. 2	Note
001	183J18-7	HOUSING SET		1				
C10	263005-3	RUBBER PIN 6		2				
C20	252126-6	HEX. LOCKING NUT M4-7		2				
C30	252103-8	HEX. LOCK NUT M5-8		1				
C40	816B59-7	CAUTION LABEL		1				
D10		INC. 105						
002	651533-4	SWITCH SLE6A2-33		1				
003	853V47-3	DBN600 SERIAL NO. LABEL		1				
004	688161-2	LINE FILTER		1				
005	643860-3	TERMINAL		1				
006	620581-4	CONTROLLER		1				
007	632L06-8	SWITCH UNIT		1				
008	632L07-6	SWITCH UNIT		1				
009	232409-0	LEAF SPRING		2				
010	458070-7	TRIGGER LOCK		1				
011	231372-4	COMPRESSION SPRING 5		1				
012	458071-5	TRIGGER		1				
013	620582-2	LED CIRCUIT		1				
014	265660-7	HEX.BOLT M5X12		2				
015	347293-1	SPRING BRACKET		1				
016	422214-5	REAR CUSHION		1				
017	265853-6	HEX. SOCKET HEAD BOLT M5X18		4				
018	922117-8	HEX. SOCKET HEAD BOLT M4X12		2				
019	319644-8	STEM HOLDER		1				
020	213017-6	O RING 6		1				
021	319643-0	TOP CAP		1				
022	232405-8	COMPRESSION SPRING 15		1				
023	213803-5	O RING 85		1				
024	327028-6	MAIN CYLINDER		1				
025	213466-7	O RING 35		1				
026	424536-9	D-RING 34		1				
027	458062-6	HEAD VALVE		1				
028	421551-4	CUSHION "P"		1				
029	213466-7	O RING 35		1				
030	327029-4	CYLINDER		1				
031	213475-6	O RING 34		1				
032	135945-4	DRIVER ASS'Y		1				
D10		INC. 31						
033	213558-2	O RING 42		1				
034	213863-7	O RING 80		1				
035	458074-9	STOPPER		1				
036	268287-2	PISTON PIN 8		1				
037	458061-8	MAIN PISTON		1				
038	213757-6	O RING 80		1				
039	422215-3	RUBBER RING		1				
040	424440-2	FRONT CUSHION		1				
041	144883-9	CRANK CASE COMPLETE		1				
042	265638-0	PAN HEAD SCREW M4X16 WITH WR		1				

Model No. DBN600 64MM CORDLESS FINISH NAILER

Item	Parts No.	Description	I/C	Qty	N/O	Opt. 1	Opt. 2	Note
043	458063-4	ADJUSTER BASE		1				
044	251578-8	H. S. HEAD BOLT M4X28 WITH WR		4				
045	144758-2	HOLDER COMPLETE		1				
046	258018-7	SPRING PIN 2.5-9		1				
047	458064-2	BRACKET		1				
048	221583-9	SPUR GEAR 44		1				
049	922118-6	HEX. SOCKET HEAD BOLT M4X12		1				
050	221584-7	SPUR GEAR 44		1				
051	144760-5	CRANK COMPLETE		1				
052	310840-1	CONROD		1				
053	232408-2	LEAF SPRING		1				
054	539233-5	BRUSH HOLDER ASS'Y		1				
D10		INC. 56						
055	183H57-5	MOTOR HOUSING SET		1				
D10		INC. 59						
056	194427-5	CARBON BRUSH CB-440		1				
057	266130-9	TAPPING SCREW BIND PT 3X16		4				
058	619456-2	ARMATURE		1				
059	183H57-5	MOTOR HOUSING SET		1				
D10		INC. 55						
060	638989-8	YOKE UNIT		1				
061	266437-3	HEX. SOCKET HEAD BOLT M4X16		4				
062	126683-9	GEAR ASSY		1				
063	327030-9	SHAFT		1				
064	267108-5	FLAT WASHER 22		1				
065	962106-1	RETAINING RING R-28		1				
066	347287-6	PLATE		2				
067	266130-9	TAPPING SCREW BIND PT 3X16		2				
068	347292-3	END PLATE		1				
069	458065-0	MAGAZINE END		1				
070	347289-2	NAIL RAIL		1				
071	458072-3	PUSHER LEVER		1				
072	458073-1	BUTTON		1				
073	232407-4	COMPRESSION SPRING 9		1				
074	458066-8	MAGAZINE		1				
075	266492-5	TAPPING SCREW 3X8		1				
076	347290-7	PUSHER		1				
077	347291-5	STOPPER		1				
078	268225-4	PIN 5		1				
079	141005-2	SPIRAL SPRING COMPLETE		1				
080	310804-5	DRIVER GUIDE		1				
081	310806-1	PLATE		1				
082	256378-1	FLAT FILLISTER HD.PIN 3		1				
083	347294-9	GUIDE PLATE		1				
084	261118-4	URETHANE WASHER		1				
085	266273-7	HEX. SOCKET HEAD BOLT M4X12		2				
086	257754-2	SLEEVE 4		2				
087	922243-3	HEX. SOCKET HEAD BOLT M5X25		2				

Model No. DBN600 64MM CORDLESS FINISH NAILER

Item	Parts No.	Description	I/C	Qty	N/O	Opt. 1	Opt. 2	Note
088	310805-3	DOOR		1				
089	258033-1	SPRING PIN 3-22		1				
090	161781-2	LATCH		1				
091	458067-6	LATCH COVER		1				
092	213044-3	O RING 3		2				
093	135946-2	VALVE STEM ASS'Y		1				
D10		INC. 92						
094	262054-7	URETHANE RING 3		1				
095	347288-4	ARM		1				
096	232406-6	COMPRESSION SPRING 9		1				
097	961017-7	STOP RING E-3		1				
098	931403-6	HEX. NUT M8		1				
099	216019-1	STEEL BALL 3		1				
100	233491-2	COMPRESSION SPRING 2		1				
101	452909-6	ADJUSTER DIAL		1				
102	327033-3	ADJUSTER SHAFT		1				
103	327032-5	CONTACT TOP		1				
104	266130-9	TAPPING SCREW BIND PT 3X16		12				
105	183J18-7	HOUSING SET		1				
C10	263005-3	RUBBER PIN 6		2				
C20	252126-6	HEX. LOCKING NUT M4-7		2				
C30	252103-8	HEX. LOCK NUT M5-8		1				
C40	816B59-7	CAUTION LABEL		1				
D10		INC. 1						
106	911248-8	PAN HEAD SCREW M5X28		1				
107	853V44-9	DBN600 NAME PLATE		1				
108	267148-3	FLAT WASHER 23		1				
109	199165-4	REPAIR O RINGS FOR MAIN PISTON		1				
D10		INC. 33,34						
A01	251314-2	+ SCREW M4X12		1				
A02	346317-0	HOOK		1				
A03	424443-6	NOSE ADAPTER		2				
A04	195246-2	SAFETY GOGGLE		1				
A05	821552-6	CONNECTOR PLASTIC CASE (TYPE4)		1				
C10	453974-8	LATCH		4				
A06	816D15-9	DBN600ZJ PLASTIC CASE LABEL		2				
A07	816D13-3	DBN600ZJ INDICATION LABEL		1				
A08	839523-9	INNER TRAY		1				