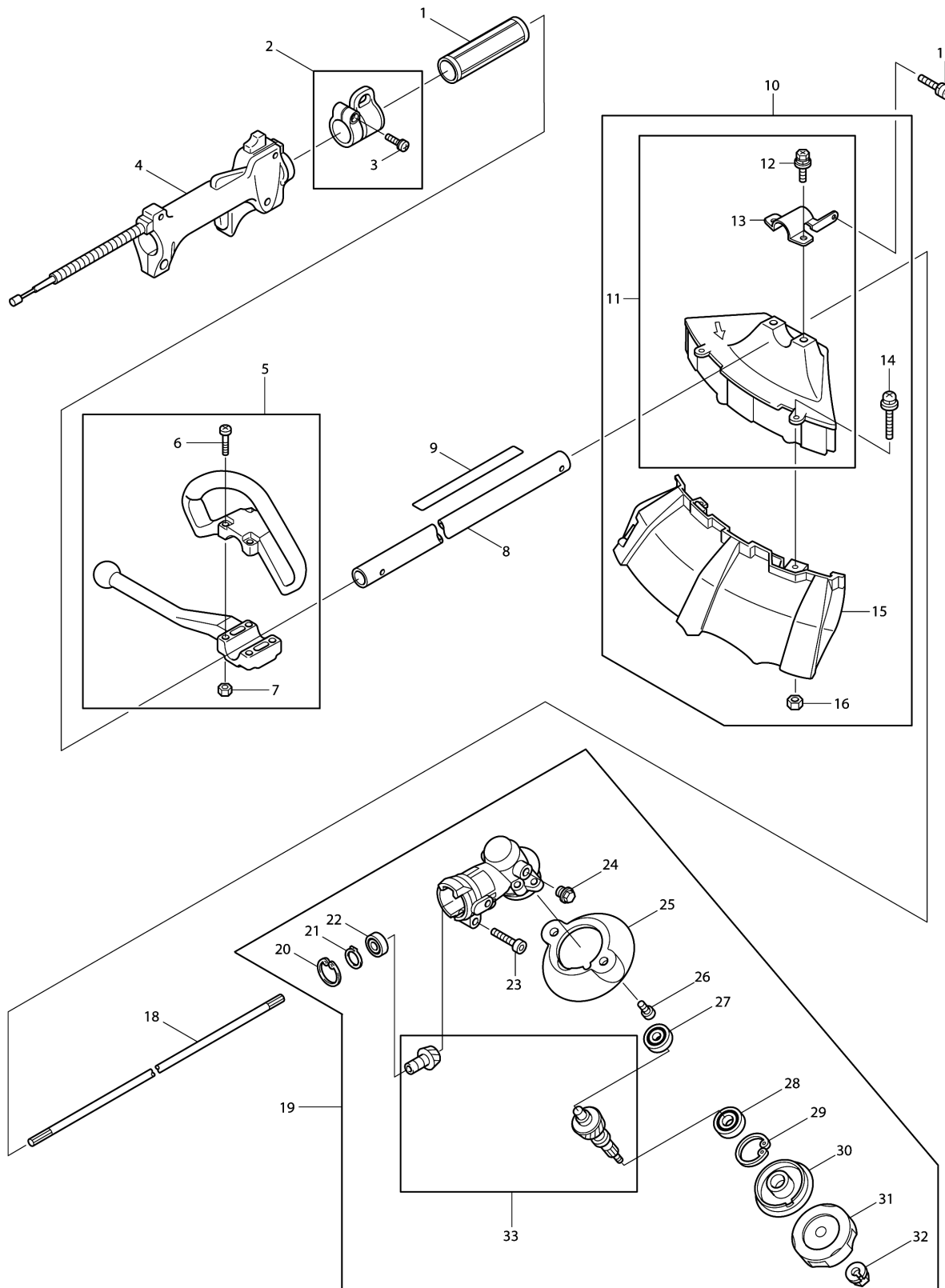
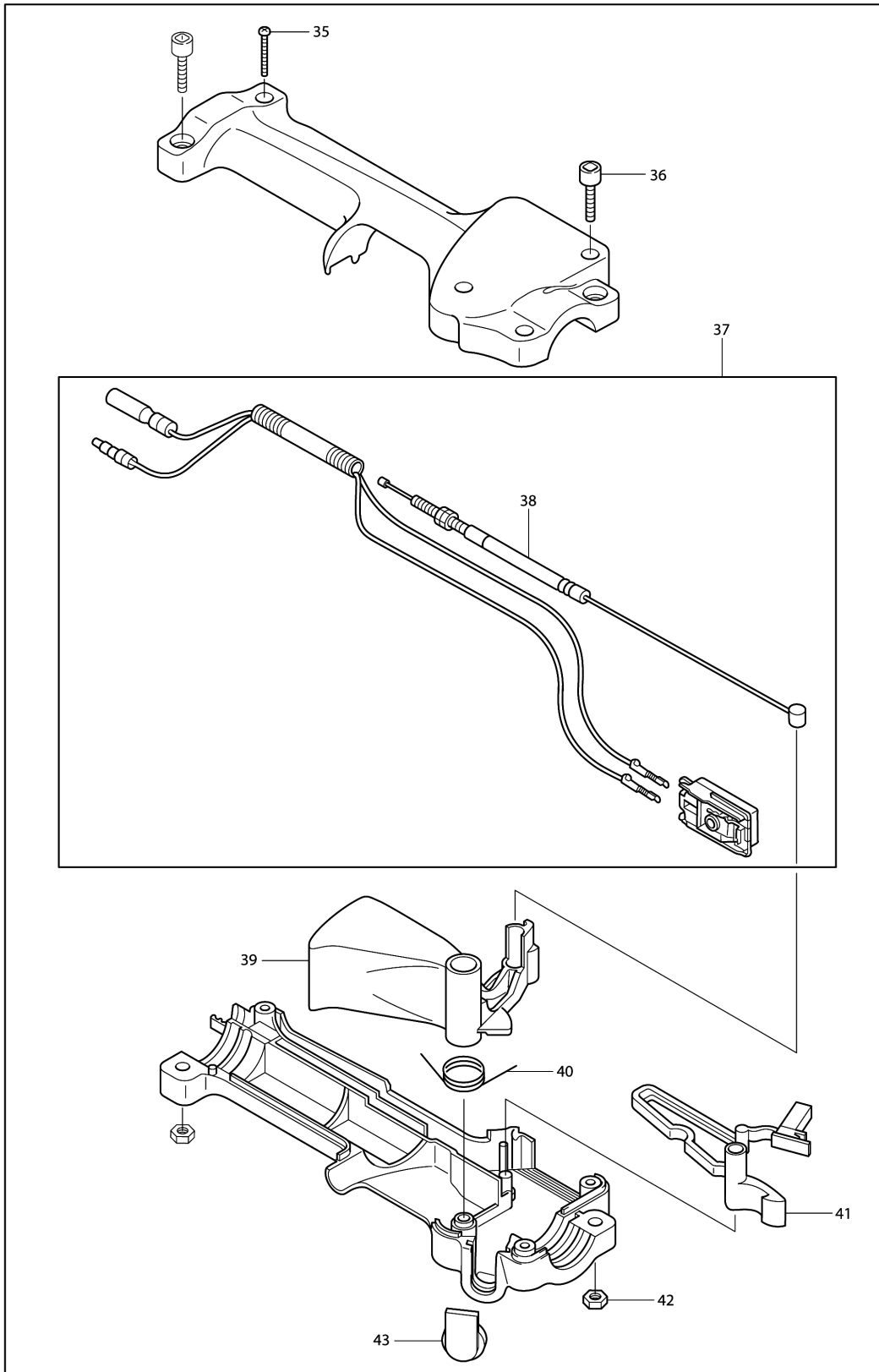


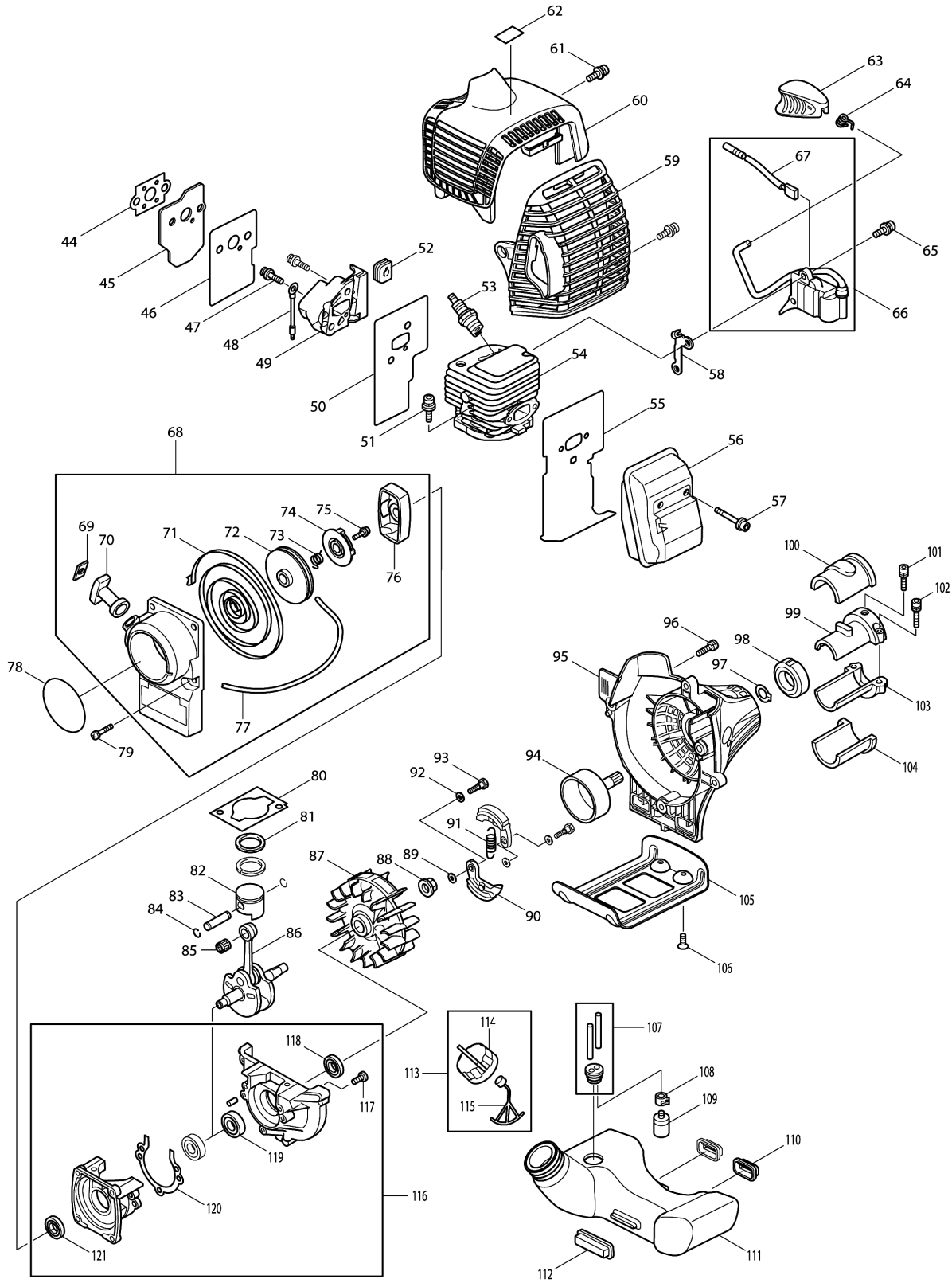
Model No.DBC260L BRUSH CUTTER



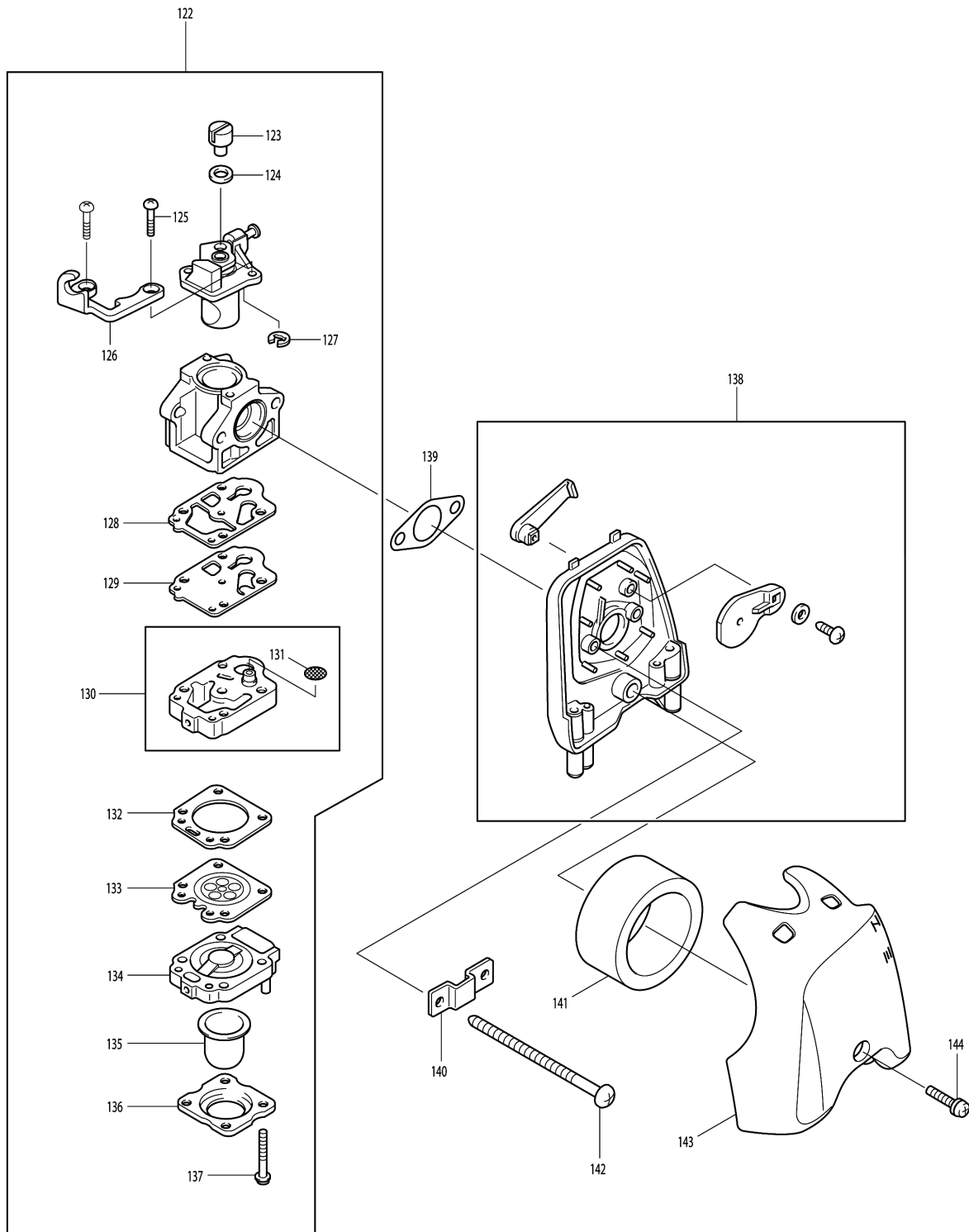
Model No.DBC260L BRUSH CUTTER



Model No.DBC260L BRUSH CUTTER



Model No.DBC260L BRUSH CUTTER



Model No.DBC260L BRUSH CUTTER

Item	Parts No.	Description	I/C	Qty	New/Old	Opt. 1	Opt. 2	Note
001	6271501501	SPACER		1	*			
001-1	450659-7	SPACER	O	1				
002	6197005001	HANGER ASS'Y		1	*			
D10		INC. 3			*			
002-1	126378-4	HANGER ASS'Y	O	1				
D10		INC. 3						
003	0140059360	SCREW & WASHER ASS'Y		1	*			
003-1	266788-4	PAN HEAD SCREW M5X20 WITH WR	O	1				
004	6255070000	CONTROL LEVER ASSY		1	*			
004-1	6255070001	CONTROL LEVER ASSY	<	1				
005	6214016000	HANDLE SET		1	*			
D10		INC. 6, 7			*			
005-1	125567-8	HANDLE ASSEMBLY	O	1				
D10		INC. 6, 7						
006	6214016030	SCREW		4	*			
006-1	266845-8	BINDING HEAD SCREW M5X25	O	4				
007	0022705000	NUT M5		4	*			
007-1	264093-3	HEX. NUT M5	O	4	*			
007-2	931202-6	HEX. NUT M5	O	4				
008	6251056000	PIPE		1				
009	6259549600	CAUTION LABEL		1				
010	6258064000	PROTECTOR ASS'Y		1	*			
D10		INC. 11, 14-16			*			
010-1	6258064001	PROTECTOR ASS'Y	O	1				
D10		INC. 11, 14-16						
011	6258065000	PROTECTOR ASS'Y		1	*			
D10		INC. 12, 13			*			
011-1	6258065001	PROTECTOR ASSY	O	1				
D10		INC. 12,13,145						
012	0100069790	BOLT M6X30		2	*			
012-1	0100069770	BOLT,CROSSRECESS	O	2	*			
012-2	266617-1	CROSS-RECESSED HEAD BOLT M6X23	O	2				
013	6258509400	PROTECTOR CLAMP		1				
014	0140059380	SCREW ASSEMBLY		2				
015	6258053001	PROTECTOR COMPLETE		1	*			
015-1	140424-9	PROTECTOR COMPLETE	O	1				
016	0021805000	NUT M5		2	*			
016-1	264035-7	HEX. NUT M5	O	2				
017	0119059490	SOCKET HEAD BOLT M5X14 (W,SW)		1				
018	6191500401	SHAFT		1	*			
018-1	324893-4	SHAFT	O	1				

Please order the parts with part number.

Print Date 26/6/2019

Model No.DBC260L BRUSH CUTTER

Item	Parts No.	Description	I/C	Qty	New/Old	Opt. 1	Opt. 2	Note
019	6243006002	CASE,GEAR ASSY		1	*			
D10		INC. 20-33			*			
019-1	125476-1	GEAR CASE ASSEMBLY	O	1				
D10		INC. 20-33						
020	0031424000	INNER SNAP RING		1	*			
020-1	257987-9	RETAINING RING (INT)R-24	O	1				
021	6193006120	OUTER SNAP RING		1	*			
021-1	257986-1	RETAINING RING (EXT) S-9	O	1				
022	6212500300	BALL BEARING #609ZZ		1	*			
022-1	210049-4	BALL BEARING 609ZZ	O	1				
023	0119059890	SOCKET HEAD BOLT M5X25		1	*			
023-1	266805-0	H.S.H.BOLT M5X25 WITH W	O	1				
024	6253011012	OIL BOLT M6X9		1	*			
024-1	265578-2	+HEX.BOLT M6X8	O	1				
025	6218500200	GUARD		1	*			
025-1	450653-9	GUARD	O	1				
026	0140059390	SCREW ASSEMBLY		2	*			
026-1	265195-8	+PAN HEAD SCREW M5X12	O	2				
027	0600069990	BALL BEARING 626ZZ		1	*			
027-1	210083-4	BALL BEARING 626	O	1				
028	0600109910	BALL BEARING 6000DDU		1	*			
028-1	210082-6	BALL BEARING 6000DDU	O	1				
029	0031426000	INNER SNAP RING		1	*			
029-1	257988-7	RETAINING RING (INT) R-26	O	1				
030	6218501601	RECEIVE WASHER		1	*			
030-1	6218500000	RECEIVE WASHER	O	1	*			
030-2	332042-9	RECEIVE WASHER	O	1				
031	6218003001	CLAMP COMPL. WASHER		1	*			
031-1	168481-5	CLAMP WASHER COMPLETE	O	1	*			
031-2	168797-8	CLAMP WASHER COMPLETE	O	1				
032	6258505001	NUT		1	*			
032-1	264018-7	HEX.NUT M8	O	1				
033	6243008002	CUTTER SHAFT SET		1	*			
033-1	195350-7	CUTTER SHAFT SET	O	1				
034	6255070000	CONTROL LEVER ASSY		1	*			
D10		INC. 35-37, 39-44			*			
034-1	6255070001	CONTROL LEVER ASSY	<	1				
D10		INC. 35-37, 39-44						
035	6195006060	TAPPING SCREW M4X20		4	*			
035-1	266584-0	TAPPING SCREW 4X20	O	4				
036	0119059720	SOCKET HEAD BOLT M5X20		2	*			
036-1	266698-5	HEX. SOCKET HEAD BOLT M5X20	O	2				

Please order the parts with part number.

Print Date 26/6/2019

Model No.DBC260L BRUSH CUTTER

Item	Parts No.	Description	I/C	Qty	New/Old	Opt. 1	Opt. 2	Note
037	6255070010	WIRE ASSY		1	*			
D10		INC. 38			*			
037-1	6255070011	WIRE ASSY	<	1				
D10		INC. 38						
038	6255070020	WIRE COMPLETE		1	*			
038-1	6255070021	WIRE COMPLETE	<	1				
039	6195006030	LEVER		1	*			
039-1	451933-6	LONG LEVER	O	1				
040	6195006050	SPRING		1	*			
040-1	233568-3	TORSION SPRING	O	1				
041	6195013010	LEVER		1	*			
041-1	452278-5	STOP LEVER	O	1				
042	6415011160	NUT		2	*			
042-1	931203-4	HEX. NUT M5	O	2				
043	6195006150	TOP		1	*			
043-1	451936-0	TOP	O	1				
044	S135994451	CARBURETOR GASKET		1	*			
044-1	413157-2	CARBURETOR GASKET	O	1				
045	S135173092	CARBURETOR INSULATOR		1	*			
045-1	346591-0	CARBURETOR PLATE	O	1				
046	S135993842	CARBURETOR GASKET		1	*			
046-1	442188-4	CARBURETOR GASKET	O	1				
047	0119059640	SOCKET HEAD BOLT M5X25		2	*			
047-1	266793-1	HEX. S.H.B. M5X25 WITH WR	O	2				
048	5267007000	WIRE COMPLETE		1	*			
048-1	141700-4	WIRE COMPLETE	O	1				
049	S199513670	INSULATOR		1				
050	S135994490	INSULATOR GASKET		1				
051	0119059730	SOCKET HEAD BOLT M5X20		2	*			
051-1	266814-9	HEX SOCKET HEAD BOLT M5X20	O	2				
052	S198113530	RUBBER		1	*			
052-1	424491-5	GROMMET	O	1				
053	0650149661	SPARK PLUG		1	*			
053-1	168648-5	SPARK PLUG (BPMR7A)	O	1				
054	S110213770	CYLINDER		1	*			
054-1	318924-9	CYLINDER	O	1				
055	5263501200	MUFFLER GASKET		1				
056	S135043271	EXHAUST MUFFER		1	*			
056-1	168761-9	EXHAUST MUFFLER	O	1				
057	0119059550	SOCKET HEAD BOLT		2	*			
057-1	266754-1	SOCKET HEAD BOLT	O	2				
058	S199513451	INSULATOR, IGNITION COIL		1				

Please order the parts with part number.

Print Date 26/6/2019

Model No.DBC260L BRUSH CUTTER

Item	Parts No.	Description	I/C	Qty	New/Old	Opt. 1	Opt. 2	Note
059	450399-7	MUFFLER COVER		1				
060	450397-1	CYLINDER COVER		1				
061	0140059360	SCREW & WASHER ASS'Y		2	*			
061-1	266788-4	PAN HEAD SCREW M5X20 WITH WR	O	2				
062	0736309870	LABEL		1	*			
062-1	898343-0	CAUTION LABEL	O	1				
063	424079-1	PLUG CAP		1				
064	0654009931	PLUG CAP SPRING		1	*			
064-1	324891-8	PLUG CAP SPRING	O	1				
065	0119049970	SOCKET HEAD BOLT M4X20		2				
066	S150053510	IGNITION COIL ASSY		1				
D10		INC. 67						
067	S185603500	WIRE COMPLETE		1				
068	5265009000	REWIND STARTER ASS'Y		1				
D10		INC. 69-77						
069	5315001030	STOPPER		1	*			
069-1	424360-0	ROPE STOPPER	O	1				
070	5215002110	STARTER KNOB		1	*			
070-1	424317-1	STARTER KNOB	O	1				
071	5215002030	SPIRAL SPRING		1	*			
071-1	232258-5	SPIRAL SPRING	O	1				
072	5265007030	REEL		1				
073	5265007050	DAMPER SPRING		1	*			
073-1	233578-0	DAMPER SPRING	O	1				
074	5265007040	CAM PLATE		1				
075	5195002060	SET SCREW		1	*			
075-1	266585-8	TAPPING SCREW 5X12	O	1				
076	5195018000	PULLEY		1				
077	5265007110	STARTER ROPE		1				
078	5269500600	MODEL LABEL		1				
079	0140059330	SCREW M5X20(W,SW)		4	*			
079-1	265A08-9	PAN HEAD SCREW M5X20	O	4				
080	S110993460	CYLINDER GASKET		1	*			
080-1	346624-1	CYLINDER GASKET	O	1				
081	S115113650	PISTON RING		2	*			
081-1	257334-4	PISTON RING 33	O	2				
082	S115313750	PISTON		1	*			
082-1	318858-6	PISTON	O	1				
083	S115323041	PISTON PIN		1	*			
083-1	257338-6	PISTON PIN	O	1				
084	S198343210	CLIP		2	*			
084-1	234243-4	CLIP	O	2				

Please order the parts with part number.

Print Date 26/6/2019

Model No.DBC260L BRUSH CUTTER

Item	Parts No.	Description	I/C	Qty	New/Old	Opt. 1	Opt. 2	Note
085	S042709008	NEEDLE ROLLER BEARING		1				
086	5262004000	CRANKSHAFT COMPLETE		1				
087	S150103600	FLYWHEEL COMPLETE		1				
088	S020109107	NUT		1				
089	5928500300	WASHER		2	*			
089-1	267812-6	WASHER 6	O	2				
090	5928500000	CLUTCH SHOE		2				
091	5928500600	SPRING		1				
092	0200089911	WASHER M8		2	*			
092-1	267817-6	WASHER 8	O	2				
093	5928500400	CLUTCH BOLT		2				
094	6252022000	CLUTCH DRUM COMPLETE		1				
095	450395-5	CLUTCH CASE		1				
096	0119059730	SOCKET HEAD BOLT M5X20		3	*			
096-1	266814-9	HEX SOCKET HEAD BOLT M5X20	O	3				
097	0031512000	OUTER SNAP RING		1	*			
097-1	961052-5	RETAINING RING S-12	O	1				
098	424123-4	BUFFER RUBBER		1				
099	318249-1	PIPE HOLDER		1				
100	424082-2	BUFFER RUBBER		1				
101	0119059900	SOCKET HEAD BOLT M5X12		1				
102	0119059730	SOCKET HEAD BOLT M5X20		2	*			
102-1	266814-9	HEX SOCKET HEAD BOLT M5X20	O	2				
103	318250-6	PIPE HOLDER		1				
104	424083-0	BUFFER RUBBER		1				
105	345882-6	STAND		1				
106	266020-6	TAPPING SCREW 4X12		4				
107	0851209880	TUBE COMPLETE		1	*			
107-1	0851209881	TUBE COMPLETE	<	1	*			
107-2	168658-2	FUEL TUBE ASSEMBLY	O	1				
108	0561059990	HOSE CLAMP		1	*			
108-1	345920-4	HOSE CLAMP	O	1				
109	5236503900	FILTER		1	*			
109-1	163447-0	FUEL FILTER	O	1	*			
109-2	163447-0	FUEL FILTER	O	1				
110	424080-6	BUFFER RUBBER		2				
111	450400-8	FUEL TANK		1				
112	424081-4	BUFFER RUBBER		1				
113	5266008000	CAP FUEL TANK ASSY		1	*			
D10		INC. 114, 115			*			
113-1	5266008001	CAP FUEL TANK ASSY	O	1				

Please order the parts with part number.

Print Date 26/6/2019

Model No.DBC260L BRUSH CUTTER

Item	Parts No.	Description	I/C	Qty	New/Old	Opt. 1	Opt. 2	Note
D10		INC. 114, 115						
114	5266010000	CAP FUEL TANK ASSY		1	*			
114-1	5266010001	CAP FUEL TANK ASSY	O	1				
115	5256067000	STRAP		1	*			
115-1	140436-2	STRAP COMPLETE	O	1				
116	5261003000	CRANKCASE ASSY		1				
D10		INC. 117-121						
117	0119059570	SOCKET HEAD BOLT M5X30		3	*			
117-1	266789-2	H.S.H.BOLT M5X30 WITH WR	O	3	*			
117-2	922253-0	H.S.H.BOLT M5X30 WITH WR	O	3				
118	S050209070	OIL SEAL		1	*			
118-1	213683-9	OIL SEAL 12	O	1				
119	0600129790	BALL BEARING		2	*			
119-1	211369-9	BALL BEARING 6201	O	2				
120	S110993450	CRANK CASE GASKET		1	*			
120-1	442187-6	CRANKCASE GASKET	O	1				
121	0440129940	OIL SEAL		1	*			
121-1	213682-1	OIL SEAL 12	O	1				
122	5266009000	CARBURETOR		1				
D10		INC. 123-130, 132-137						
123	5246001210	SWIVEL		1				
124	5426005030	WASHER		1	*			
124-1	413140-9	WASHER	O	1				
125	5266009020	SCREW		2	*			
125-1	WJ00963279	SCREW	O	2				
126	5266009030	CABLE BRACKET		1				
127	5316005120	RING		1	*			
127-1	257964-1	STOP RING E-3	O	1				
128	5926002040	PUMP GASKET		1	*			
128-1	442155-9	PUMP GASKET	O	1				
129	5246001040	PUMP DIAPHRAGM		1	*			
129-1	168575-6	PUMP DIAPHRAGM	O	1	*			
129-2	WJ00009599	PUMP DIAPHRAGM	O	1				
130	5266002010	PUMP BODY ASSEMBLY		1				
D10		INC. 131						
131	5016004010	INLET SCREEN		1	*			
131-1	352010-6	INLET SCREEN	O	1	*			
131-2	WJ00014070	INLET SCREEN	O	1				
132	5236046040	METERING DIAPHRAGM GASKET		1	*			
132-1	442154-1	METERING DIAPHRAGM GASKET	O	1				
133	5266009010	METERING DIAPHRAGM ASSY		1	*			

Please order the parts with part number.

Print Date 26/6/2019

Model No.DBC260L BRUSH CUTTER

Item	Parts No.	Description	I/C	Qty	New/Old	Opt. 1	Opt. 2	Note
133-1	168620-7	METERING DIAPHRAGM	O	1				
134	5236046060	AIR PURGE BODY ASS'Y		1	*			
134-1	140988-3	AIR PURGE BODY ASSEMBLY	O	1				
135	5246001150	PRIMER PUMP		1	*			
135-1	424314-7	PRIMER PUMP	O	1				
136	5236046050	PRIMER PUMP COVER		1	*			
136-1	346270-0	PRIMER PUMP COVER	O	1				
137	5236046010	PUMP COVER SCREW		4	*			
137-1	266582-4	TAPPING SCREW 3X24	O	4				
138	5263005000	AIR CLEANER PLATE ASSY		1				
139	5253503900	GASKET,CARBURETOR		1	*			
139-1	413158-0	CARBURETOR GASKET	O	1				
140	5013502400	AIR CLEANER PLATE ASSY		1	*			
140-1	346489-1	AIR CLEANER PLATE	O	1				
141	5263501300	AIR FILTER		1				
142	0043105603	PAN HEAD SCREW M5X60		2				
143	450403-2	AIR CLEANER COVER		1				
144	0140059360	SCREW & WASHER ASS'Y		1	*			
144-1	266788-4	PAN HEAD SCREW M5X20 WITH WR	O	1				
145	413143-3	WASHER		2				
146	808723-2	CAUTION LABEL		1				
A01	6197004000	BAND ASSY		1	*			
A01-1	126012-6	BAND ASSEMBLY	O	1				
A02	6218020001	TRIMMER HEAD ASSEMBLY 94-M8L		1	*			
A02-1	122977-0	TRIMMER HEAD ASSEMBLY 94-M8L	O	1				
A03	6119019001	TOOL KIT		1	*			
D10		INC. 148			*			
A03-1	195508-8	ACCESSORY SET	O	1				
D10		INC. 148						
A04	0717049990	HEX. WRENCH		1	*			
A04-1	783223-2	HEX. WRENCH 4	O	1				

Please order the parts with part number.

Print Date 26/6/2019