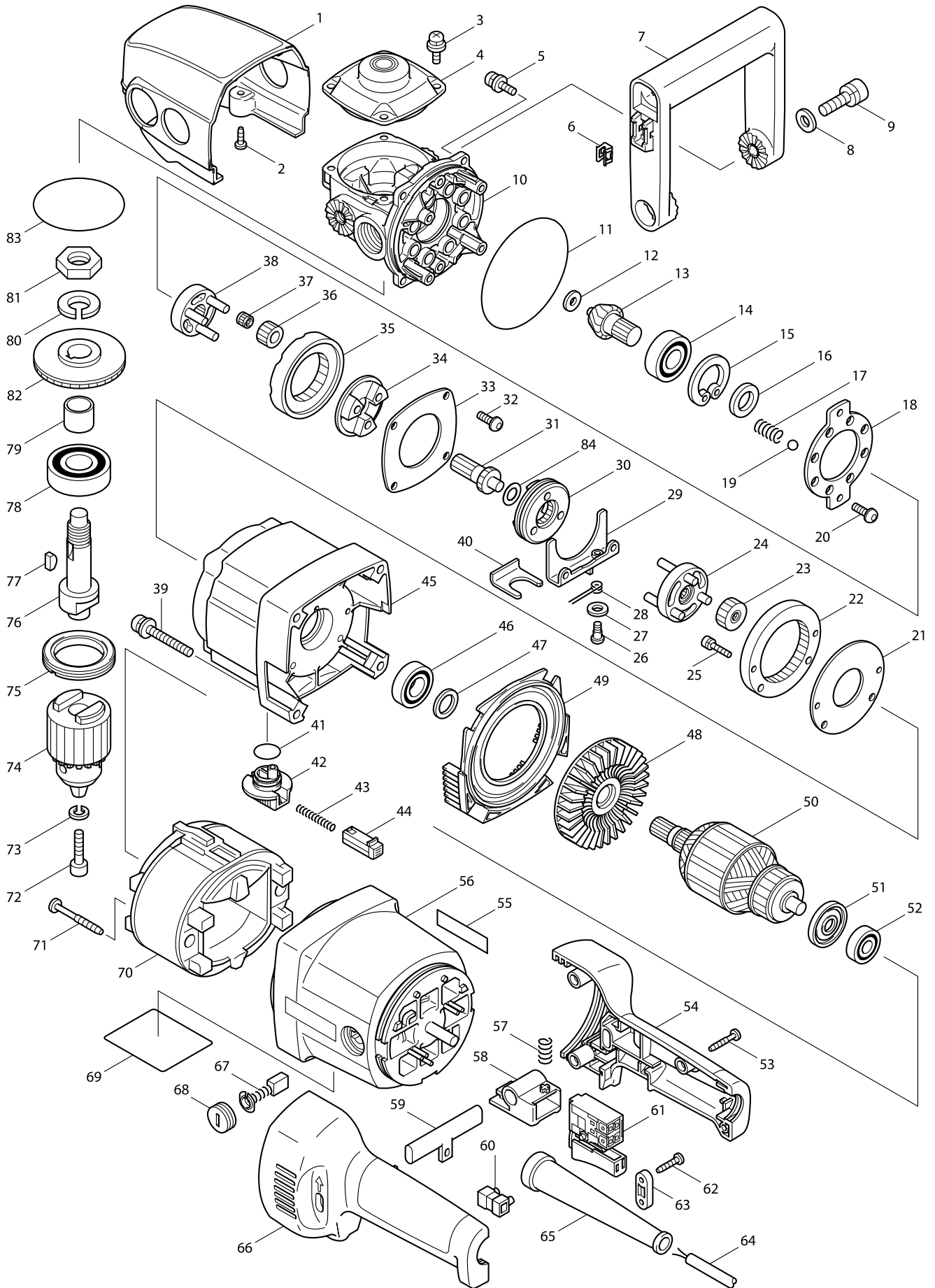


Model No. DA4031 ANGLE DRILL 13MM



Item	Parts No.	Description	I/C	Qty	N/O	Opt. 1	Opt. 2	Note
001	417666-3	TOP COVER		1				
002	266026-4	TAPPING SCREW BIND CT 4X12		2				
003	911223-4	PAN HEAD SCREW M5X16		4	*			
003-1	266086-6	HEX. SOCKET HEAD BOLT M5X16	<	4				
004	152956-4	GEAR HOUSING COVER COMPLETE		1				
005	911223-4	PAN HEAD SCREW M5X16		4	*			
005-1	266086-6	HEX. SOCKET HEAD BOLT M5X16	<	4				
006	344391-2	BIT HOLDER		1				
007	417665-5	FRONT GRIP		1				
008	941202-8	FLAT WASHER 8		2				
009	922441-9	HEX. SOCKET HEAD BOLT M8X25		2				
010	152958-0	GEAR HOUSING COMPLETE		1				
011	213803-5	O RING 85		1				
012	253804-1	FLAT WASHER 6		1				
013	227415-8	SPIRAL BEVEL GEAR 13		1				
014	211206-7	BALL BEARING 6202LLB		1				
015	962153-2	RETAINING RING R-35		1				
016	257212-8	RING 15		1				
017	233326-7	COMPRESSION SPRING 5		8				
018	345189-0	GUIDE PLATE		1				
019	216022-2	STEEL BALL 7.0		8				
020	265491-4	H.S. BUTTON HEAD BOLT M5X16		2				
021	345193-9	PLATE		1				
022	227021-9	INTERNAL GEAR 49		1				
023	152966-1	SPUR GEAR 19 COMPLETE		3				
024	152965-3	CARRIER B COMPLETE		1				
025	265493-0	HEX. SOCKET HEAD BOLT M4X20		2				
026	251306-1	+ PAN HEAD SCREW M5		1				
027	941152-7	FLAT WASHER 6		1				
028	231657-8	TORSION SPRING 6		1				
029	345191-3	CHANGE GUIDE		1				
030	324201-9	CHANGE RING		1				
031	227025-1	SPUR GEAR 10		1				
032	265491-4	H.S. BUTTON HEAD BOLT M5X16		4				
033	345188-2	RETAINER PLATE		1				
034	223135-2	CAM		1				
035	227022-7	INTERNAL GEAR 38		1				
036	227026-9	SPUR GEAR 14		3				
037	216420-0	NEEDLE CAGE 6910		3				
038	152964-5	CARRIER A COMPLETE		1				
039	911373-5	PAN HEAD SCREW M6X50		4				
040	345190-5	LOCK PLATE		1	*			
040-1	961078-7	RETAINING RING (EXT) S-18	<	1				
041	213265-7	O RING 17		1				
042	417670-2	CHANGE LEVER		1				
043	233279-0	COMPRESSION SPRING 4		1				
044	417298-6	LOCK BUTTON		1				
045	152960-3	GEAR CASE COMPLETE		1				

Item	Parts No.	Description	I/C	Qty	N/O	Opt. 1	Opt. 2	Note
C10	213459-4	O RING 32		1				
046	211236-8	BALL BEARING 6002DDW		1				
047	253853-8	FLAT WASHER 15		1				
048	240003-4	FAN 80		1				
049	417664-7	BAFFLE PLATE		1				
050	516858-2	ARMATURE ASS'Y 220-240V		1				
D10		INC. 46,47,48,51,52						
051	681649-1	INSULATION WASHER		1				
052	211061-7	BALL BEARING 6000LLB		1				
053	265999-8	TAPPING SCREW 4X25		4				
054	183392-3	HANDLE SET		1				
D10		INC. 66						
055	819063-3	MAKITA LABEL		2				
056	183400-0	MOTOR HOUSING		1				
C10	643708-9	BRUSH HOLDER 5-11		2				
D10		INC. 55						
057	231402-1	COMPRESSION SPRING 7		1				
058	416998-5	LOCK BUTTON		1				
059	417663-9	F/R CHANGE LEVER		1				
060	654532-5	TERMINAL BLOCK 1P		1				
061	650502-2	SWITCH SGE110CR10		1				
062	265995-6	TAPPING SCREW 4X18		2				
063	687052-4	STRAIN RELIEF		1				
064	665865-3	POWER SUPPLY CORD 1.0-2-2.5		1				
065	682564-2	CORD GUARD		1				
066	183392-3	HANDLE SET		1				
D10		INC. 54						
067	191963-2	CARBON BRUSH CB-303		1				
068	643750-0	BRUSH HOLDER CAP 7-11		2				
069	853218-0	NAME PLATE DA4031		1				
070	639516-4	FIELD 220-240V		1				
071	266056-5	TAPPING SCREW 5X45		2				
072	266284-2	HEX. SOCKET HEAD BOLT M6X25		1				
073	942151-2	SPRING WASHER 6		1				
074	193519-7	DRILL CHUCK S-13		1				
C10	266284-2	HEX. SOCKET HEAD BOLT M6X25		1				
C20	942151-2	SPRING WASHER 6		1				
075	285838-6	BEARING RETAINER 29-42		1				
076	324203-5	SPINDLE		1				
077	254032-1	WOODRUFF KEY 5		1				
078	211278-2	BALL BEARING 6203DDW		1				
079	257715-2	SLEEVE 17		1				
080	942402-3	SPRING WASHER 16		1				
081	252048-0	HEX. NUT M16-22		1	*			
081-1	252182-6	HEX. NUT M16-22	<	1				
082	227416-6	SPIRAL BEVEL GEAR 40		1				
083	213709-7	O RING 63		1				
084	253215-0	FLAT WASHER 8		1				

