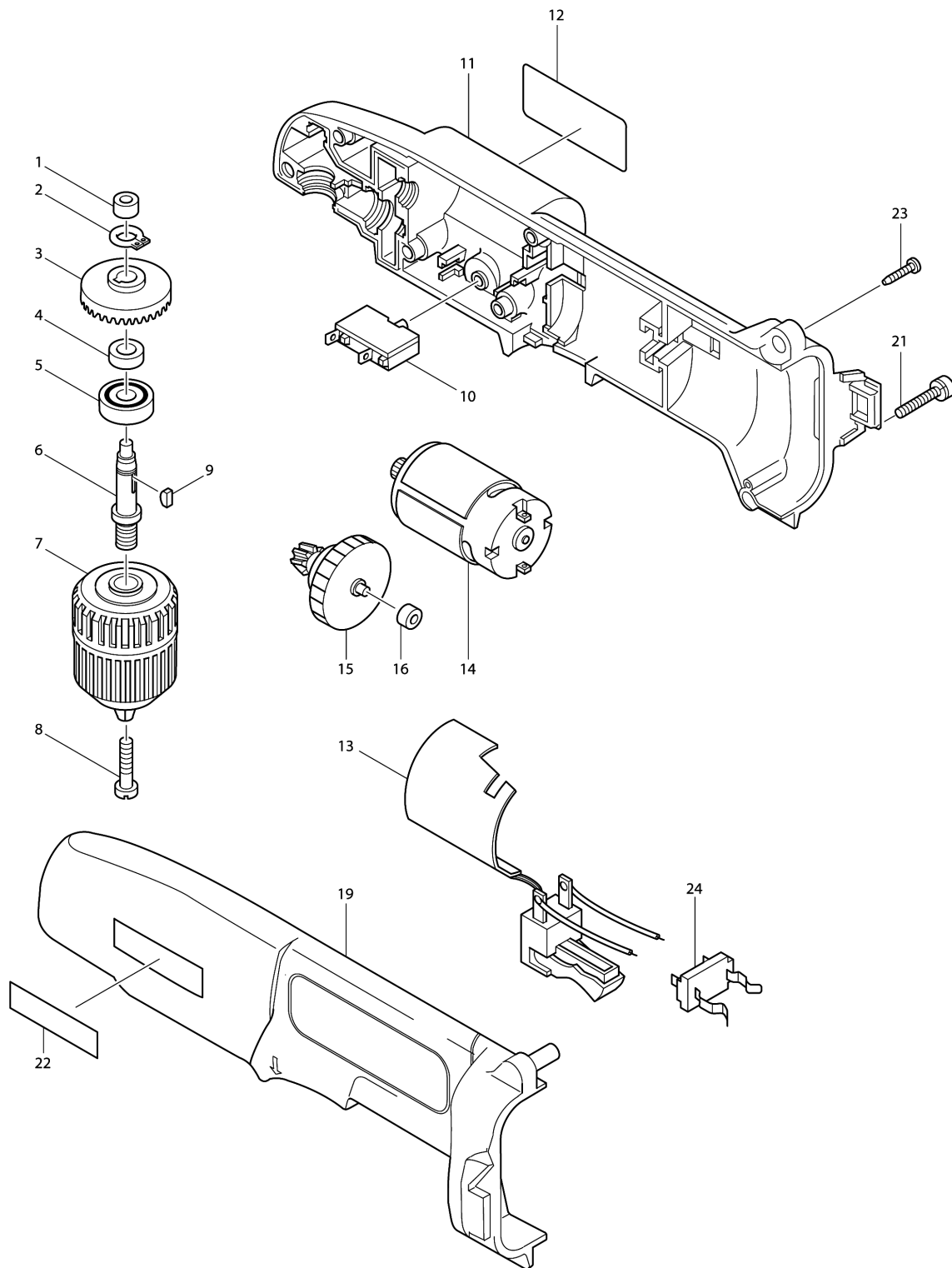


Model No.DA392D CORDLESS ANGLE DRILL 10MM



Model No.DA392D CORDLESS ANGLE DRILL 10MM

Item	Parts No.	Description	I/C	Qty	New/Old	Opt. 1	Opt. 2	Note
001	214017-9	PLANE BEARING 5		1				
002	961004-6	RETAINING RING S-8		1				
003	221387-9	SPIRAL BEVEL GEAR 36		1				
004	257106-7	RING 8		1				
005	211031-6	BALL BEARING 608LLB		1				
006	322278-8	SPINDLE		1				
007	192016-0	KEYLESS DRILL CHUCK 10		1				
D10		INC. 8						
008	251451-2	- PAN HEAD SCREW M5X22		1				
009	254031-3	WOODRUFF KEY 3		1				
010	652532-9	OVER CURRENT RELAY BC51		1				
011	183331-3	HOUSING SET		1				
D10		INC. 19,22						
012	852737-3	NAME PLATE DA392D		1				
013	650504-8	SWITCH TG55B-142		1				
014	629769-3	DC MOTOR		1				
C10	221851-0	SPUR GEAR 11		1				
015	153193-3	GEAR COMPLETE		1				
016	214019-5	PLANE BEARING 4		1				
019	183331-3	HOUSING SET		1				
D10		INC. 11,22						
021	911143-2	PAN HEAD SCREW M4X22		1				
022	819063-3	MAKITA LABEL		1				
023	266130-9	TAPPING SCREW BIND PT 3X16		6				
024	643909-9	BATTERY HOLDER		1				
A01B	414938-7	BATTERY COVER		1				
A01C	414938-7	BATTERY COVER		1				
A01D	414938-7	BATTERY COVER		1				
A01E	414938-7	BATTERY COVER		1				
A01F	414938-7	BATTERY COVER		1				
A02F	192638-6	BATTERY 9120 SET		1				
A02A_B	192595-8	BATTERY 9122 SET		1				
A02B_C	193099-3	NI-MH(2.6A) BATTERY 9134 SET		1				
A02B_E	193099-3	NI-MH(2.6A) BATTERY 9134 SET		1				
A02C_D	193058-7	BATTERY 9135 SET		1				
A03B	824627-0	PLASTIC CARRYING CASE		1				
C10	186347-7	SLIDE LATCH SET		1				
C20	819143-5	MAKITA LABEL		1				
A03C	824627-0	PLASTIC CARRYING CASE		1				
C10	186347-7	SLIDE LATCH SET		1				
C20	819143-5	MAKITA LABEL		1				

Please order the parts with part number.

Print Date 26/6/2019

Model No.DA392D CORDLESS ANGLE DRILL 10MM

Item	Parts No.	Description	I/C	Qty	New/Old	Opt. 1	Opt. 2	Note
A03D	824627-0	PLASTIC CARRYING CASE		1				
C10	186347-7	SLIDE LATCH SET		1				
C20	819143-5	MAKITA LABEL		1				
A03E	824627-0	PLASTIC CARRYING CASE		1				
C10	186347-7	SLIDE LATCH SET		1				
C20	819143-5	MAKITA LABEL		1				
A03F	824627-0	PLASTIC CARRYING CASE		1				
C10	186347-7	SLIDE LATCH SET		1				
C20	819143-5	MAKITA LABEL		1				
E01E	193099-3	NI-MH(2.6A) BATTERY 9134 SET		1				
E01F	192638-6	BATTERY 9120 SET		1				
E02E	414938-7	BATTERY COVER		1				
E02F	414938-7	BATTERY COVER		1				
E03	688161-2	LINE FILTER		1				

Please order the parts with part number.

Print Date 26/6/2019