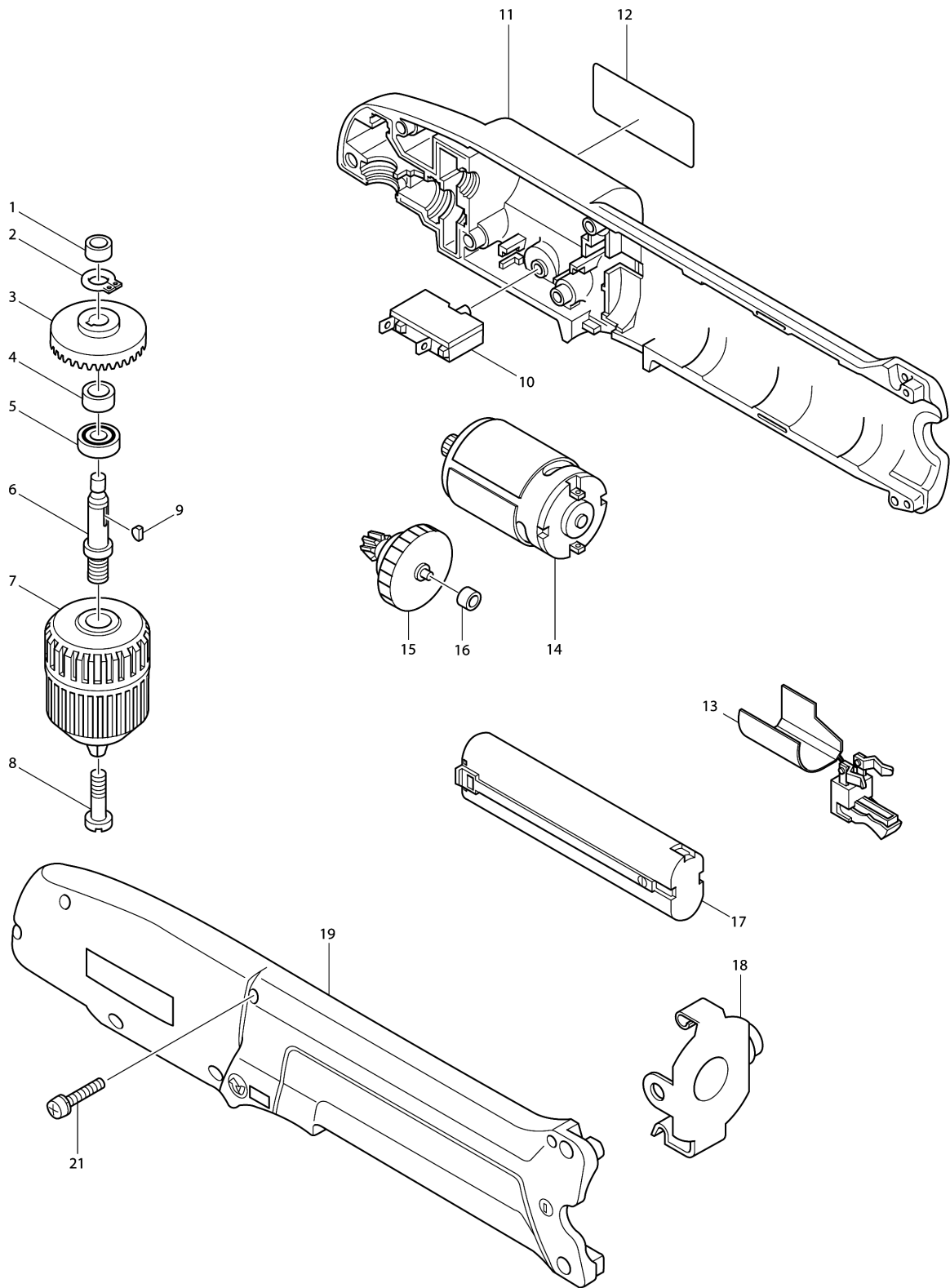


### Model No.DA391D CORDLESS ANGLE DRILL 10MM





## Model No.DA391D CORDLESS ANGLE DRILL 10MM

Item	Parts No.	Description	I/C	Qty	New/Old	Opt. 1	Opt. 2	Note
001	214017-9	PLANE BEARING 5		1				
002	961004-6	RETAINING RING S-8		1				
003	221387-9	SPIRAL BEVEL GEAR 36		1				
004	257106-7	RING 8		1				
005	211031-6	BALL BEARING 608LLB		1				
006	322278-8	SPINDLE		1				
007	763083-8	KEYLESS CHUCK LD10 1/16-3/8"		1	*			
007-1	763132-1	KEYLESS DRILL CHUCK 10	O	1				
008	251451-2	- PAN HEAD SCREW M5X22		1				
009	254031-3	WOODRUFF KEY 3		1				
010	652532-9	OVER CURRENT RELAY BC51		1				
011	182366-1	HOUSING SET		1				
D10		INC. 19						
012	856860-6	NAME PLATE DA391D		1				
013	651914-2	SWITCH TG55A		1				
014	629595-0	DC MOTOR 9.6V		1	*			
C10	221851-0	SPUR GEAR 11		1	*			
014-1	629623-1	DC MOTOR	O	1	*			
C10	221851-0	SPUR GEAR 11		1	*			
014-2	629623-1	DC MOTOR	O	1				
C10	221851-0	SPUR GEAR 11		1				
015	153193-3	GEAR COMPLETE		1				
016	214019-5	PLANE BEARING 4		1				
017D	193889-4	BATTERY 9034 SET		1				
017D_C	192696-2	NI-MH BATTERY 9033		1				
018	163157-9	SET PLATE		1	*			
018-1	342833-0	SET PLATE	O	1				
019	182366-1	HOUSING SET		1				
D10		INC. 11						
021	911143-2	PAN HEAD SCREW M4X22		7				
A01-1	824371-9	PLASTIC CARRYING CASE		1	*			
C10	182935-8	SLIDE LATCH (R.L) SET		1	*			
A01-2	824627-0	PLASTIC CARRYING CASE	<	1				
C10	186347-7	SLIDE LATCH SET		1				
A02	414938-7	BATTERY COVER		1				

Please order the parts with part number.

Print Date 26/6/2019

