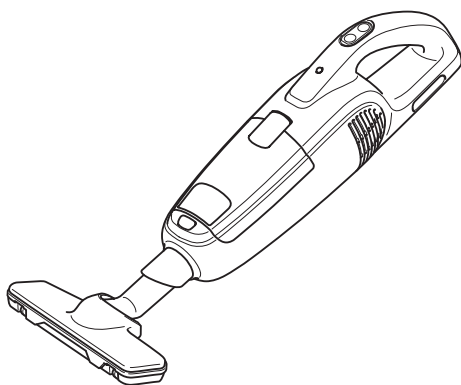


INSTRUCTION MANUAL



Cordless Cleaner

CL105D



Read before use.

WARNING

This appliance can be used by children aged from 8 years and above and persons with reduced physical, sensory or mental capabilities or lack of experience and knowledge if they have been given supervision or instruction concerning use of the appliance in a safe way and understand the hazards involved. Children shall not play with the appliance. Cleaning and user maintenance shall not be made by children without supervision.

SPECIFICATIONS

Model		CL105D
Capacity		500 ml (for dust bag)
		330 ml (for paper pack)
Continuous use	3 (Turbo)	Approx. 7 min
	2 (High)	Approx. 10 min
	1 (Low)	Approx. 20 min
Overall length	Without nozzle	446 mm
	With nozzle	983 mm
Net weight		1.1 kg
Rated voltage		D.C. 10.8 V
Replacement battery cartridge (part number varies depending on country)		632D82-4

- Due to our continuing program of research and development, the specifications herein are subject to change without notice.
- Specifications and battery cartridge may differ from country to country.
- Weight, with battery cartridge, according to EPTA-Procedure 01/2003

Symbols

The following show the symbols used for the equipment. Be sure that you understand their meaning before use.



Read instruction manual.



Only for EU countries
Do not dispose of electric equipment or battery pack together with household waste material!
In observance of the European Directives, on Waste Electric and Electronic Equipment and Batteries and Accumulators and Waste Batteries and Accumulators and their implementation in accordance with national laws, electric equipment and batteries and battery pack(s) that have reached the end of their life must be collected separately and returned to an environmentally compatible recycling facility.

Intended use

The tool is intended for collecting dry dust.

IMPORTANT

SAFETY INSTRUCTIONS

When using an electrical appliance, basic precautions should always be followed, including the following:

READ ALL INSTRUCTIONS

BEFORE USING THIS APPLIANCE.

WARNING - To reduce the risk of fire, electric shock or injury:

1. Do not expose to rain. Store indoors.
2. Do not allow to be used as a toy. Close attention is necessary when used by or near children.
3. Use only as described in this manual. Use only manufacturer's recommended attachments.
4. Do not use with damaged battery. If appliance is not working as it should, has been dropped, damaged, left outdoors, or dropped into water, return it to a service center.
5. Do not handle appliance with wet hands.
6. Do not put any object into openings. Do not use with any opening blocked; keep free of dust, lint, hair, and anything that may reduce air flow.

7. Keep hair, loose clothing, fingers, and all parts of body away from openings and moving parts.
8. Turn off all controls before removing the battery.
9. Use extra care when cleaning on stairs.
10. Do not use to pick up flammable or combustible liquids, such as gasoline, or use in areas where they may be present.
11. Use only the charger supplied by the manufacturer to recharge.
12. Do not pick up anything that is burning or smoking, such as cigarettes, matches, or hot ashes.
13. Do not use without filters in place.
14. Do not charge the battery outdoors.
6. Do not charge the cleaner on papers, cloth, carpet, vinyl, etc. This may cause a fire.
7. Do not charge the cleaner in a dusty place.
8. Be sure no one is below when using the cleaner in high locations.
9. Do not bring close to stoves or other heat sources.
10. Do not block the intake hole or vent holes.

SAVE THESE INSTRUCTIONS.

IMPORTANT SAFETY INSTRUCTIONS

FOR BUILT-IN BATTERY

Battery tool use and care

15. Recharge only with the charger specified by the manufacturer. A charger that is suitable for one type of battery pack may create a risk of fire when used with another battery pack.
16. Use power tools only with specifically designated battery packs. Use of any other battery packs may create a risk of injury and fire.
17. When (the) battery pack is not in use, keep it away from other metal objects, like paper clips, coins, keys, nails, screws or other small metal objects, that can make a connection from one terminal to another.
18. Under abusive conditions, liquid may be ejected from the battery; avoid contact. If contact accidentally occurs, flush with water.

SAVE THESE INSTRUCTIONS.

This appliance is intended for household use.

ADDITIONAL SAFETY RULES

1. Read this instruction manual and the charger instruction manual carefully before use.
2. Do not pick up the following materials:
 - Hot materials such as lit cigarettes or spark/metal dust generated by grinding/cutting metal
 - Flammable materials such as gasoline, thinner, benzene, kerosene or paint
 - Explosive materials like nitroglycerin
 - Ignitable materials such as Aluminum, zinc, magnesium, titanium, phosphorus or celluloid
 - Wet dirt, water, oil or the like
 - Hard pieces with sharp edges, such as wood chips, metals, stones, glasses, nails, pins or razors
 - Powder to clot such as cement or toner
 - Conductive dust such as metal or carbon
 - Fine particle like concrete dust
 Such action may cause fire, injury and/or property damage.
3. Stop operation immediately if you notice anything abnormal.
4. If you drop or strike the cleaner, check it carefully for cracks or damage before operation.
5. Do not charge the cleaner close to dangerous flammable materials such as gasoline, gas, paint or adhesives.

1. Before using built-in battery, read all instructions and cautionary markings on (1) battery charger, (2) battery, and (3) product using battery.
2. Do not disassemble built-in battery.
3. If operating time has become excessively shorter, stop operating immediately. It may result in a risk of overheating, possible burns and even an explosion.
4. If electrolyte gets into your eyes, rinse them out with clear water and seek medical attention right away. It may result in loss of your eyesight.
5. Do not short the built-in battery:
 - (1) Do not touch the terminals with any conductive material.
 - (2) Avoid storing built-in battery in a container with other metal objects such as nails, coins, etc.
 - (3) Do not expose built-in battery to water or rain.
A battery short can cause a large current flow, overheating, possible burns and even a breakdown.
6. Do not store the tool and built-in battery in locations where the temperature may reach or exceed 50°C (122°F).
7. Do not incinerate the built-in battery even if it is severely damaged or is completely worn out. The built-in battery can explode in a fire.
8. Be careful not to drop or strike battery.

SAVE THESE INSTRUCTIONS.

Tips for maintaining maximum battery life

1. Charge the built-in battery before completely discharged.
Always stop tool operation and charge the built-in battery when you notice less tool power.
2. Never recharge a fully charged built-in battery. Overcharging shortens the battery service life.
3. Charge the built-in battery with room temperature at 10°C - 40°C (50°F - 104°F). Let a hot built-in battery cool down before charging it.
4. Charge the battery cartridge once in every six months if you do not use it for a long period of time.

FUNCTIONAL DESCRIPTION

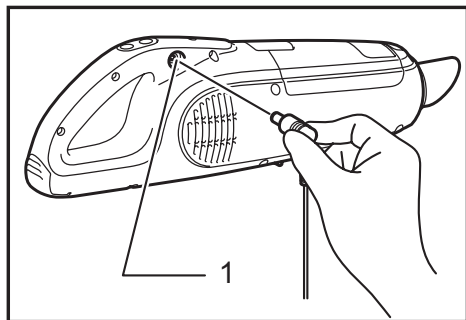
⚠ CAUTION:

- Always be sure that the tool is switched off before adjusting or checking function on the tool.

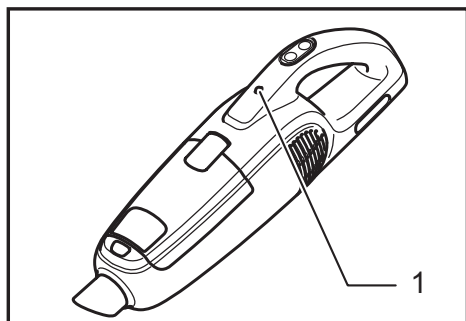
Charging the built-in battery

⚠ CAUTION:

- Do not operate the cleaner during charging. It may be damaged.
- Always disconnect the charging plug from the cleaner after charging.



► 1. Charging connector



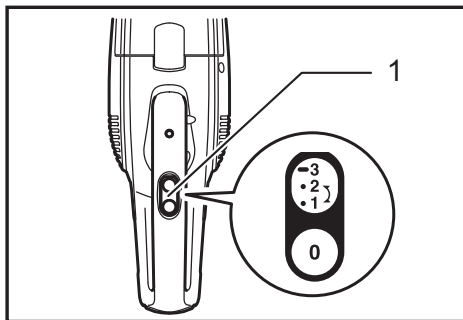
► 1. Battery power lamp

Use only the Makita charger DC1001 to charge this cleaner. Use of the other type chargers may cause the battery to burst, result in personal injury and damage. Charge the cleaner when using it for the first time or uncharged for a long time. Connect the charging plug to the charging connector, then plug in the charger to the power receptacle. The battery power lamp lights up and start charging. Charging takes approximately 3 hours. The light goes out after the charging is complete. For more details, refer to the instruction manual of battery charger.

Switch action

⚠ CAUTION:

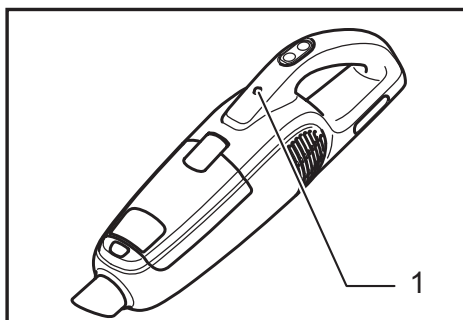
- Always be sure that the dust bag or paper pack is installed properly in the cleaner before use. Improper installation may allow dust to enter the motor, resulting in malfunction of the cleaner.
- Always switch off the cleaner after each use to prevent damage to the cleaner and to extend the service life of the batteries.



► 1. Switch buttons

To start the cleaner, simply press the "1/2/3" button. To switch off, press the "0" button. To change the cleaner speed, press the "1/2/3" button. The first press on this button is for high speed and the second press for low speed. Each press on this button repeats the high/low speed cycle alternatively. While pressing the "1/2/3" button, this cleaner works with turbo. This mode is appropriate to clean especially dusty area.

Battery power lamp



► 1. Battery power lamp

When the remaining battery capacity gets low, the battery power lamp blinks. When the remaining battery capacity gets much lower, the tool stops and the battery power lamp lights up about 10 seconds. At this time, charge the cleaner.

NOTE:

- The time at which the battery power lamp start blinking or lighting up depends on the temperature at work place and the battery cartridge conditions.

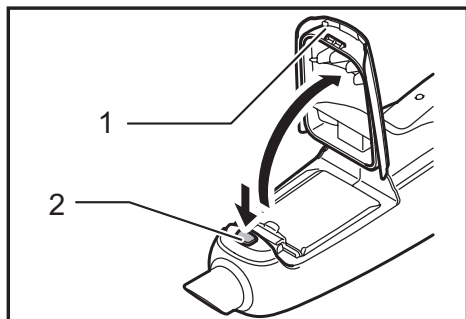
ASSEMBLY

Disposing of Dust

⚠ CAUTION:

- Empty the cleaner before it becomes too full, or the suction force weakens.
- Be sure to empty out the dust inside the cleaner itself. Failure to do so may cause the sponge filter to be clogged or the motor to be damaged.
- Never throw away the dust stopper because it should be used whenever either the dust bag or the paper pack is used.

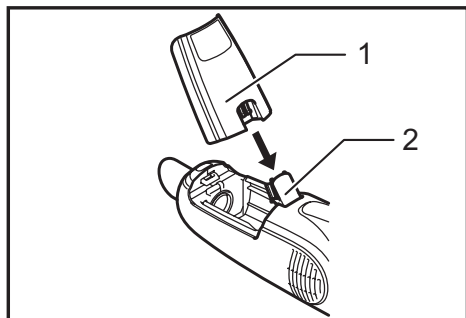
1. Push the button to open the front cover. Opening it until a click is heard allows a positive stop at that position.



► 1. Front cover 2. Button

⚠ CAUTION:

- When closing the front cover, be careful not to pinch your fingers.

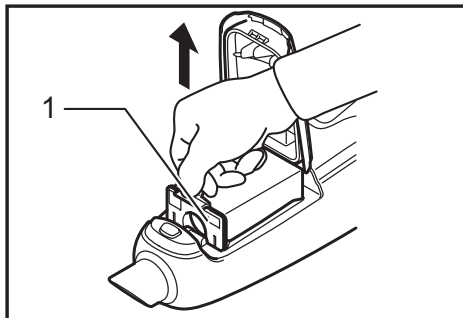


► 1. Front cover 2. Front cover joint

NOTE:

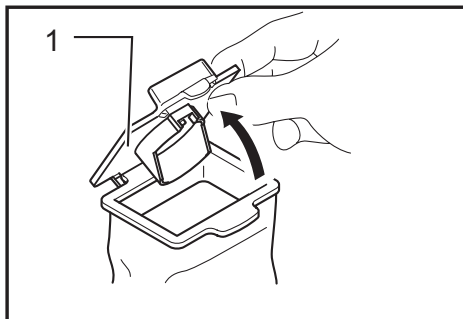
- The front cover comes off when trying to open the front cover more than 90°. If the front cover comes off, install it into the front cover joint in place.

2. Pull out both the orange-colored dust stopper and dust bag together at the same time.

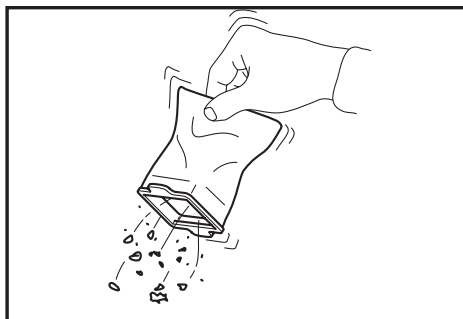


► 1. Dust stopper

3. Remove the dust stopper and empty the cleaner.



► 1. Dust stopper



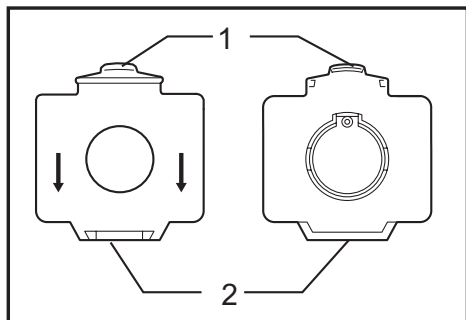
Dust bag and paper pack

Install either dust bag or paper pack before using cleaner.

Use the dust stopper when installing either dust bag or paper pack.

The dust bag can be used repeatedly by cleaning it out. Paper pack is a throw-away type. Throw away the entire paper pack without emptying when it has become full.

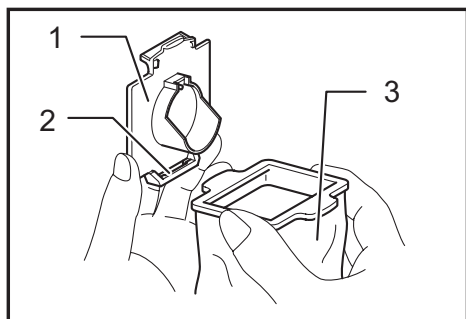
Installing dust bag



- 1. Upper side of dust stopper 2. Lower side of dust stopper

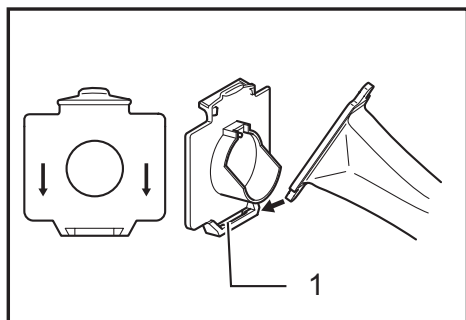
Use the dust stopper when installing dust bag. Be careful not to take the upper side for the lower side by mistake because they are different each other.

1. Insert the protrusion of the dust bag into the groove in the dust stopper as shown in the figure.



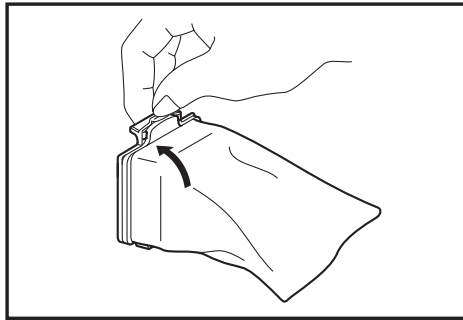
- 1. Dust stopper 2. Groove 3. Dust bag

2. There is no distinction between the upper and lower sides of the dust bag. You may insert its protrusion of any side into the lower groove of the dust stopper.

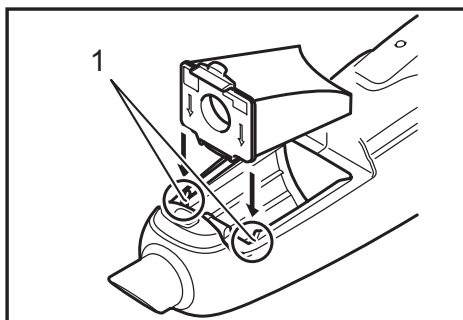


- 1. Lower groove

3. Overlap the frame of dust stopper with that of the dust bag.

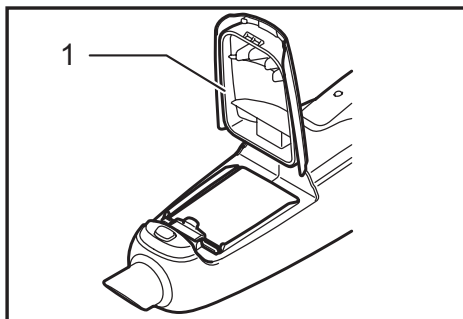


4. Place the dust stopper and the dust bag together into the cleaner cavity in the same direction of arrow on the dust stopper. Insert them all the way into the slots in the cleaner cavity.



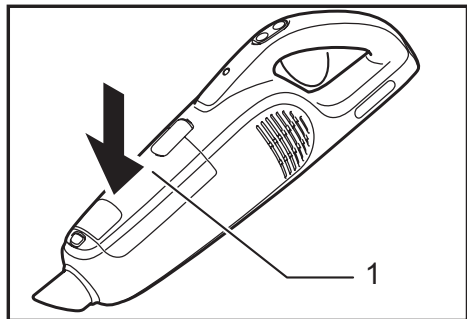
- 1. Cleaner cavity

5. Place the entire cloth part of the dust bag inside the tool itself.



- 1. Front cover

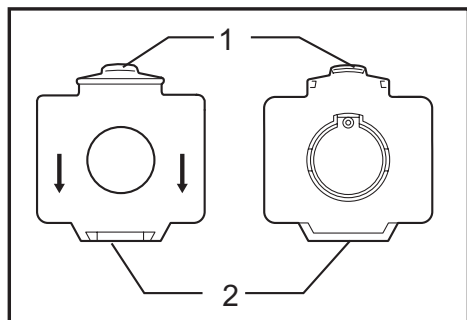
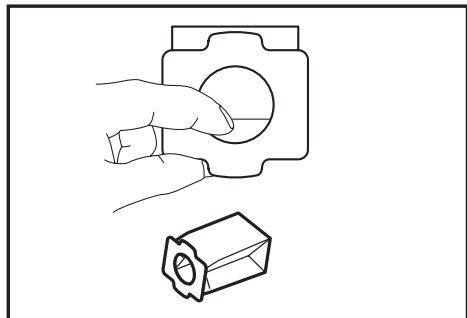
6. Close the front cover completely.



► 1. Front cover

Installing the paper pack

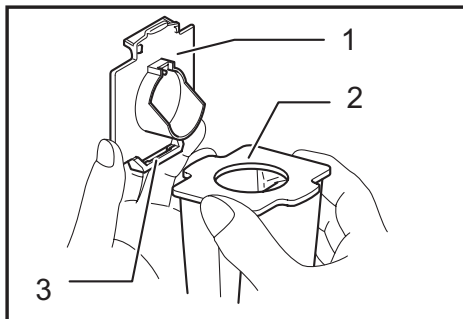
1. Unfold the entrance of the paper pack before setting it on the dust stopper.



► 1. Upper side of dust stopper 2. Lower side of dust stopper

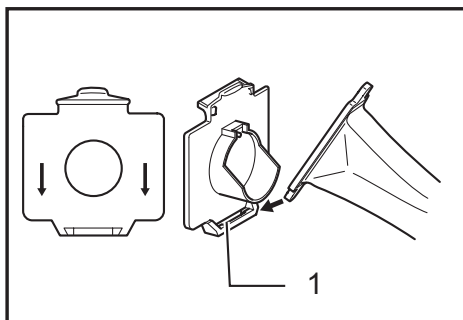
Use the dust stopper also when installing paper pack. Be careful not to take the upper side for the lower side by mistake because they are different each other.

2. Insert the protrusion of the paper pack into the groove in the dust stopper as shown in the figure.



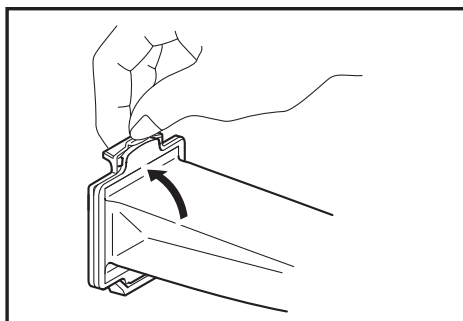
► 1. Dust stopper 2. Paper pack 3. Groove

3. There is no distinction between the upper and lower sides of the paper pack. You may insert its protrusion of any side into the lower groove of the dust stopper.

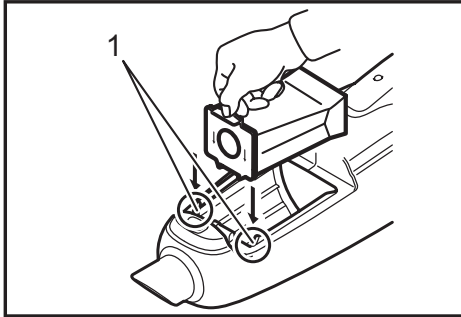


► 1. Lower groove

4. Overlap the frame of dust stopper with that of the paper pack.

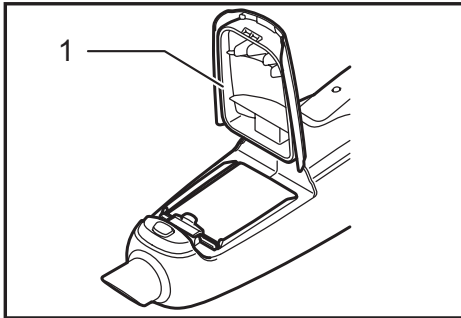


5. Place the dust stopper and the paper pack together into the cleaner cavity in the same direction of arrow on the dust stopper. Insert them all the way into the slots in the cleaner cavity.



► 1. Cleaner cavity

6. Place the entire container part of the paper pack inside the tool itself.



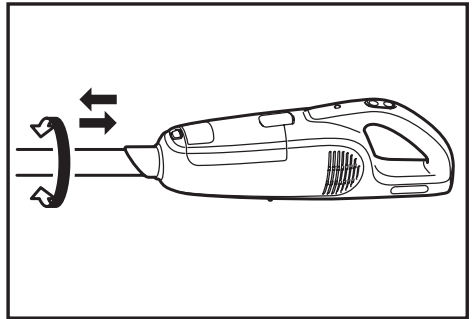
► 1. Front cover

7. Close the front cover completely.

CAUTION:

- Install the dust stopper with the dust bag or paper pack properly. Tool operation without proper installation of them, or using broken or ripped one, it may allow dust to get into the motor. This may result in motor failure.
- Do not fold the cardboard at its opening when installing the paper pack.
- Never throw away the dust stopper because it needs to be used repeatedly whenever either the dust bag or the paper pack is used.
- The paper pack for the cleaner is an important component for maintaining the tool performance. If you use the other genuine paper pack, it may cause smokes or ignition.

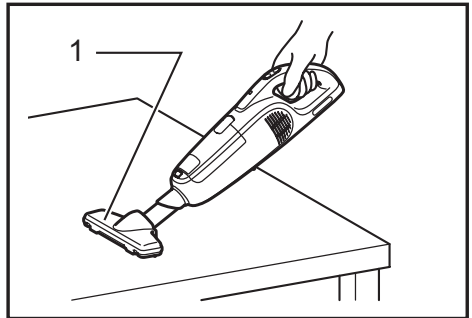
OPERATION



To connect attachments, such as nozzle, twist and insert them to ensure secure connection during use. To disconnect attachments, twist and remove them.

Cleaning (Suction)

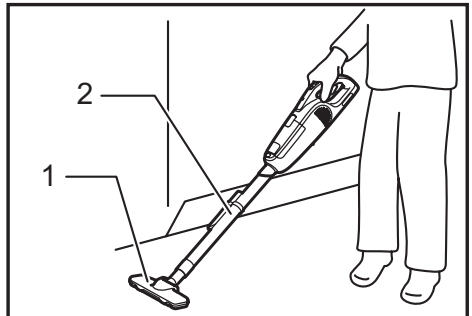
Nozzle



► 1. Nozzle

Attach the nozzle to clean off tables, desks, furniture, etc. Nozzle slips on easily.

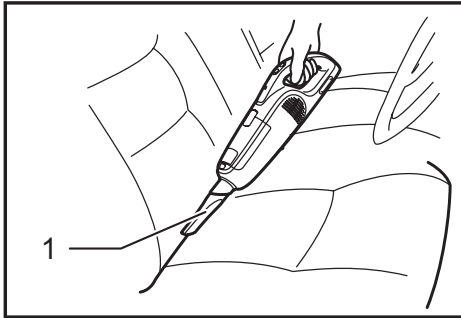
Nozzle + Extension wand (Straight pipe)



► 1. Nozzle 2. Extension wand

The extension wand fits in between the nozzle and the cleaner itself. This arrangement is convenient for cleaning a floor while standing erect.

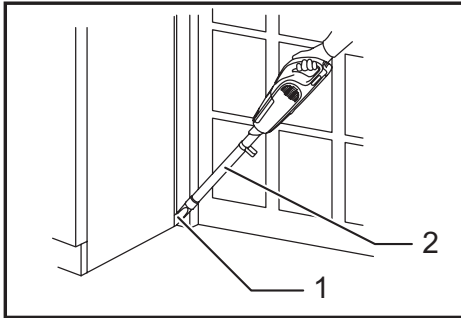
Corner nozzle



- ▶ 1. Corner nozzle

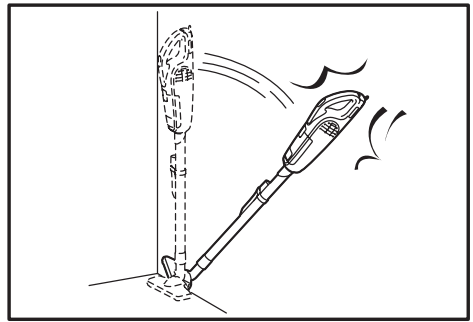
Fit on the corner nozzle for cleaning corners and crevices of a car or furniture.

Corner nozzle +Extension wand (Straight pipe)



- ▶ 1. Corner nozzle 2. Extension wand

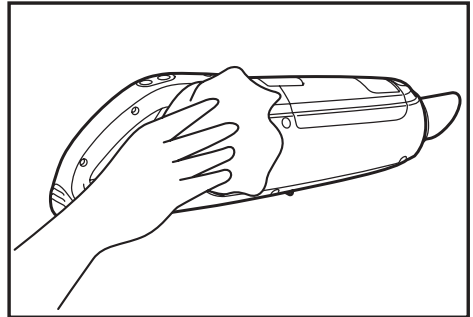
In tight quarters where the cleaner itself cannot squeeze in, or in high places hard to reach, use this arrangement.



⚠ CAUTION:

- Putting the cleaner against the wall without a hook may cause the cleaner to fall down and be damaged.

Cleaning



From time to time wipe off the outside (cleaner body) of the cleaner using a cloth dampened in soapy water. Clean out also the suction opening, dust bag/paper pack mounting area and the dust stopper.

⚠ CAUTION:

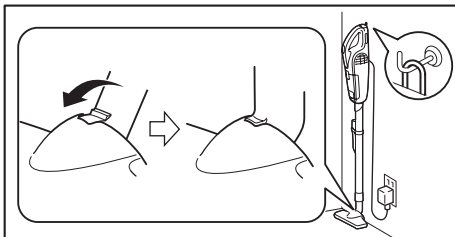
- Never use gasoline, benzine, thinner, alcohol or the like. Discoloration, deformation or cracks may result.

MAINTENANCE

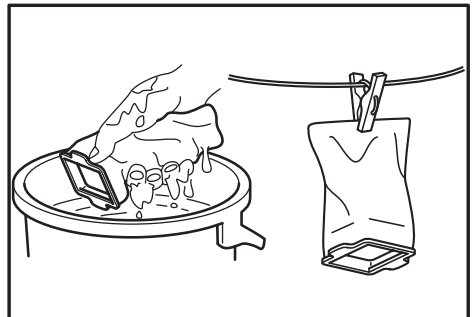
⚠ CAUTION:

- Always be sure that the tool is switched off before attempting to perform inspection or maintenance.

After use



When storing or charging the cleaner, lock the nozzle head, and hang it from a hook available in the market.

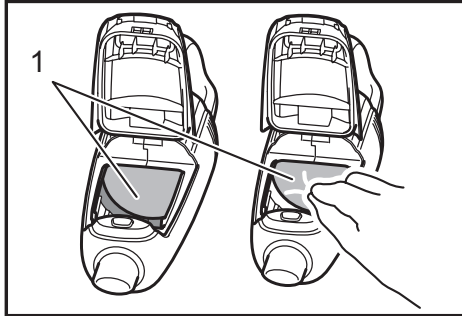


Wash the dust bag in soapy water when it is clogged with dust and the cleaner power becomes small. Dry it out thoroughly before use. An insufficiently dried bag may cause poor suction and shorten the service life of the motor.

NOTE:

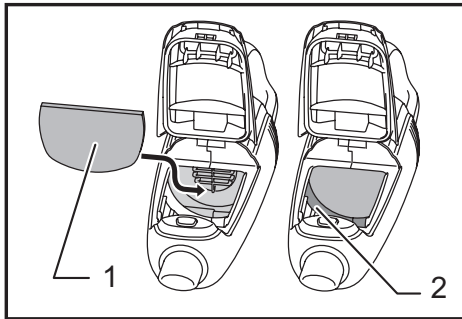
- Paper pack is a throw-away type.

When the sponge filter is clogged with dust, remove it from the cleaner and then wipe it off or wash in water.

Removing and installing the sponge filter

► 1. Sponge filter

To remove the sponge filter, remove the dust bag or paper pack and then pinch and take it out.



► 1. Sponge 2. Recessed wall

Press in the whole edge of the sponge filter against the recessed wall inside the dust bag/paper pack mounting area.

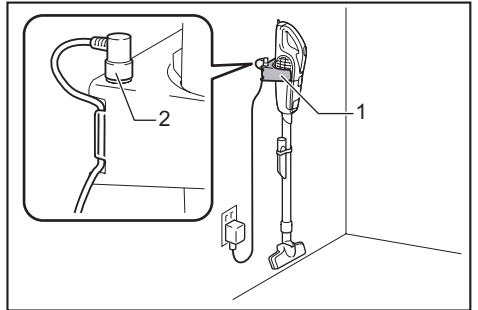
CAUTION:

- After cleaning sponge filter, be sure to install it on the cleaner. If washed in water, dry it up before installing. An insufficiently dried sponge filter may shorten the service life of the motor.

Wall mount for cordless cleaner**Optional accessory**

NOTE: The screw to mount the holder is not included. Prepare a screw which fits with the material to screw into.

Attach the wall mount for cordless cleaner to a hard wooden wall, beam or column, where the wall mount for cordless cleaner can be firmly secured. Always be sure that the wall mount for cordless cleaner is securely attached before hanging the cleaner.



► 1. Wall mount for cordless cleaner 2. Plug

CAUTION: Do not hang the cleaner to the wall mount violently or hang other appliances than the cleaner.

NOTE: When you don't charge the cleaner, the plug can be stored on the wall mount for cordless cleaner as illustrated.

TROUBLE SHOOTING

Before asking for repairs, conduct your own inspection first. If you find a problem that is not explained in the manual, do not attempt to dismantle the tool. Instead, ask Makita Authorized Service Centers, always using Makita replacement parts for repairs.

Symptom	Area to be investigated	Fixing method
Weak suction power	Is dust bag or paper pack full of dust ?	Empty dust bag or paper pack.
	Is dust bag clogged ?	Dust down or wash the dust bag.
	Is paper pack clogged ?	Replace paper pack.
	Is battery cartridge exhausted ?	Charge the battery.
Not working	Is battery cartridge exhausted ?	Charge the battery.

NOTE:

- Do not attempt to repair cleaner by yourself.

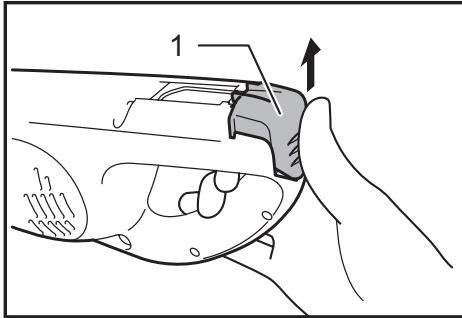
Disposing cleaner

A Li-ion battery is built into this cleaner. Always remove it before disposing of the cleaner.

Removing built-in battery

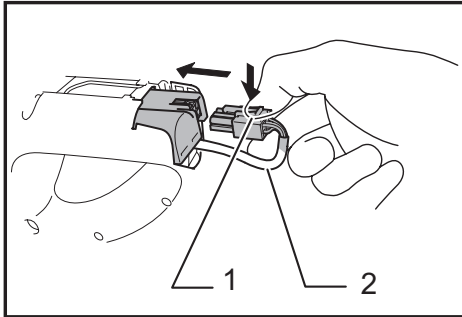
⚠ CAUTION:

- Do not touch the terminals with any conductive material.
- Avoid storing battery unit in a container with other metal objects such as nails, coins, etc.
- Do not expose battery unit to water or rain.
- Do not disassemble or alter battery unit.
- The cleaner must be disconnected from the supply mains when removing the battery.



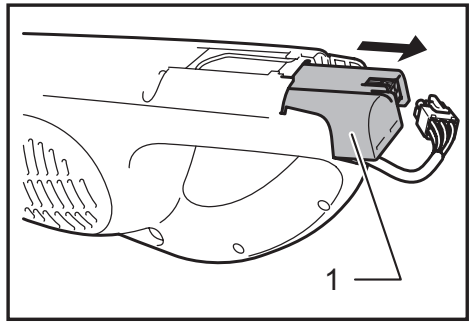
► 1. Rear cover

1. To remove the rear cover, push it in the direction of the arrow.



► 1. Connector 2. Lead wires

2. Slide the built-in battery halfway. Disconnect the lead wires from the battery by slightly moving back the battery while pressing the connector in the direction of arrow shown in the figure.



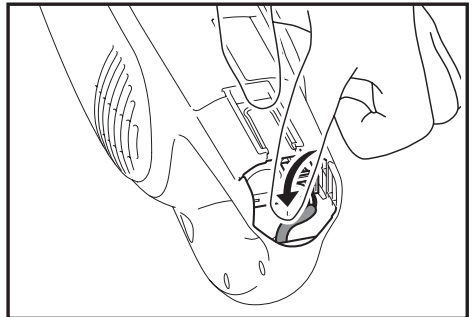
► 1. Battery unit

3. Then slide the battery unit completely.
4. Put the removed battery unit in a carton box so that it is not circuit-shorted.

Installing replacement battery

To install the replacement battery, follow the removal procedure in reverse.

⚠ CAUTION: Route the lead so that it is completely stored inside the cleaner before putting the rear cover back in the original position. Failure to do this may damage the lead.



After installing the battery (see "SPECIFICATIONS"), charge the battery before use.

To maintain product SAFETY and RELIABILITY, repairs, any other maintenance or adjustment should be performed by Makita Authorized Service Centers, always using Makita replacement parts.

OPTIONAL ACCESSORIES

⚠ CAUTION:

- These accessories or attachments are recommended for use with your Makita cleaner specified in this manual. The use of any other accessories or attachments might present a risk of injury to persons. Only use accessory or attachment for its stated purpose.

If you need any assistance for more details regarding these accessories, ask your local Makita Service Center.

- Extension wand (Straight pipe)
- Nozzle
- Nozzle for carpet
- Shelf brush
- Corner nozzle
- Round brush
- Flexible hose
- Paper pack
- Wall mount for cordless cleaner
- Replacement battery

NOTE:

- Some items in the list may be included in the tool package as standard accessories. They may differ from country to country.

Makita Corporation

www.makita.com

885378D0
EN
20171220